

PRODUCT INFORMATION PACKET

Model No: 056C17D5339
Catalog No: S116
1,1725,DP,56,1/60/115/230
Open Drip Proof (ODP)



Regal and Marathon are trademarks of Regal Beloit Corporation or one of its affiliated companies.
©2018 Regal Beloit Corporation, All Rights Reserved. MC017097E



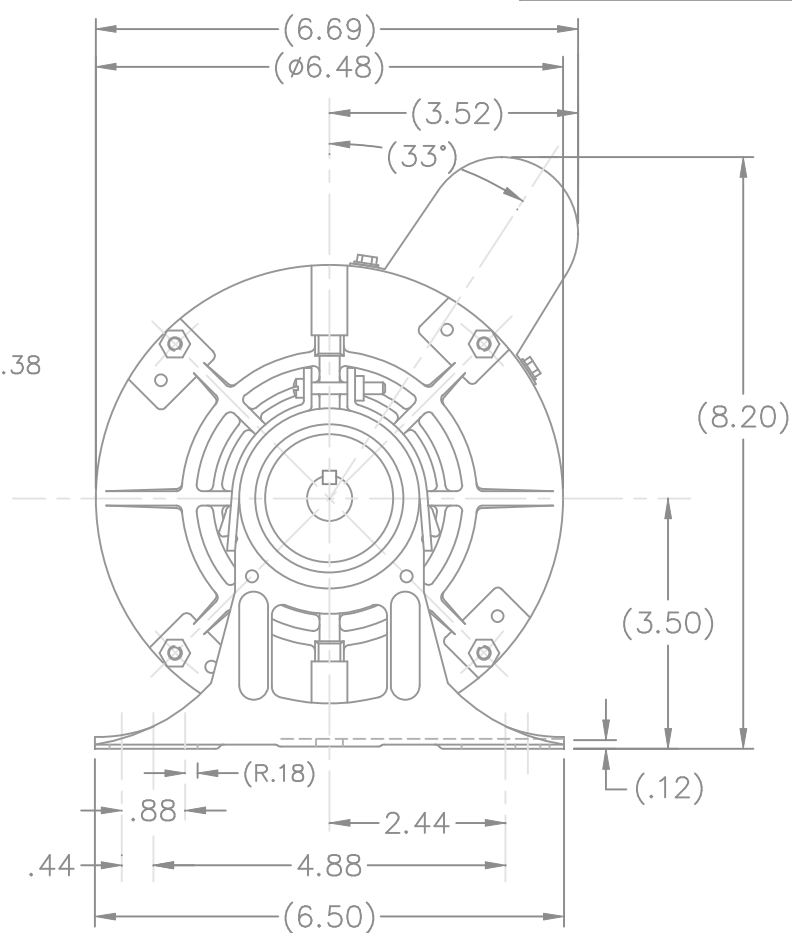
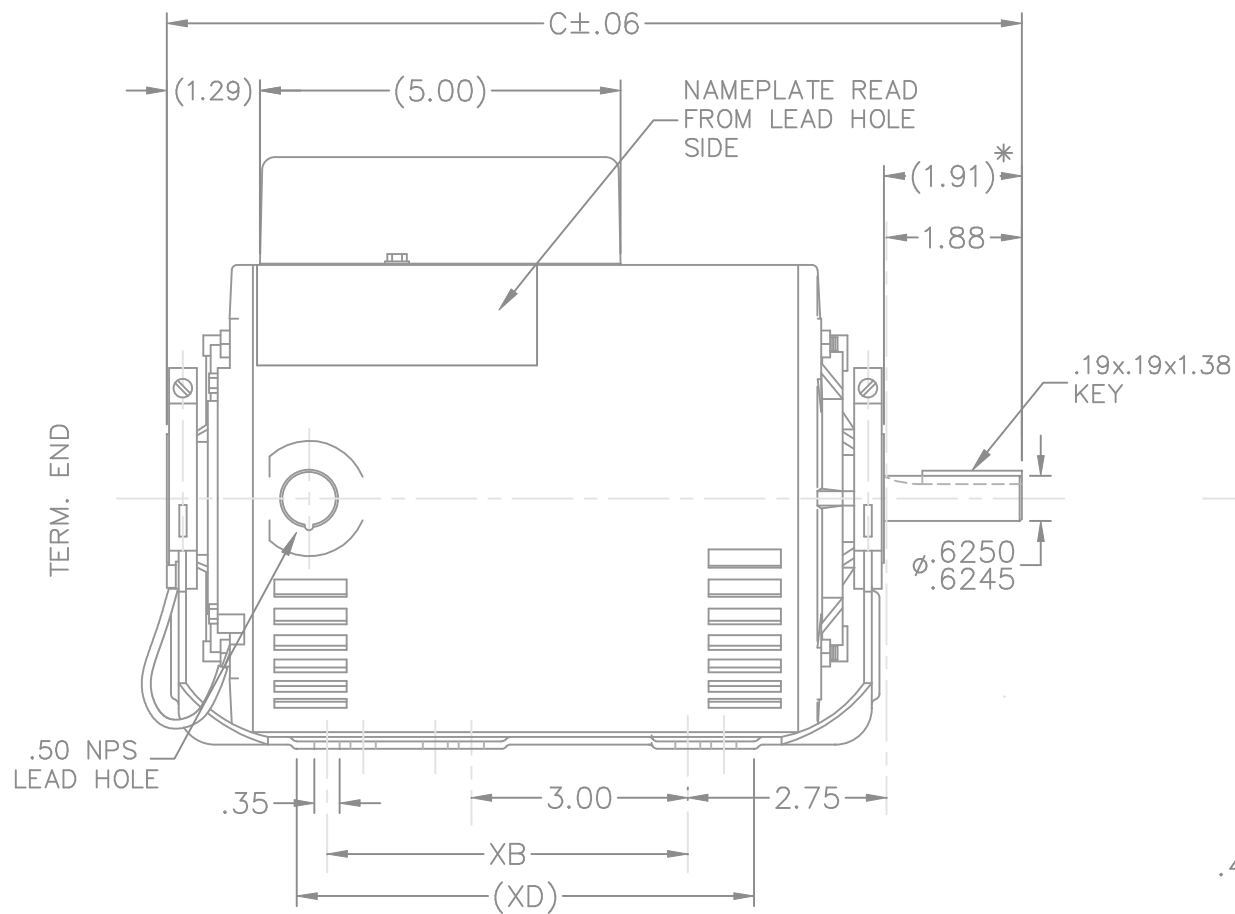


Nameplate Specifications

Output HP	1 Hp	Output KW	0.75 kW
Frequency	60 Hz	Voltage	115/230 V
Current	13.6/6.8 A	Speed	1725 rpm
Service Factor	1	Phase	1
Efficiency	70 %	Duty	Continuous
Insulation Class	B	Design Code	NO DESIGN CODE
KVA Code	J	Frame	56
Enclosure	Drip Proof	Overload Protector	No
Ambient Temperature	40 °C	Drive End Bearing Size	6203
Opp Drive End Bearing Size	6203	UL	Recognized
CSA	Y	CE	Y
IP Code	22		

Technical Specifications

Electrical Type	Capacitor Start Induction Run	Starting Method	Across The Line
Poles	4	Rotation	Selective Clockwise
Mounting	Resilient Base	Motor Orientation	Horizontal
Drive End Bearing	Ball	Opp Drive End Bearing	Ball
Frame Material	Rolled Steel	Shaft Type	NEMA 56
Overall Length	11.35 in	Frame Length	7.06 in
Shaft Diameter	0.625 in	Shaft Extension	1.91 in
Assembly/Box Mounting	F1 Only		
Outline Drawing	A-100121-706	Connection Diagram	102005-1

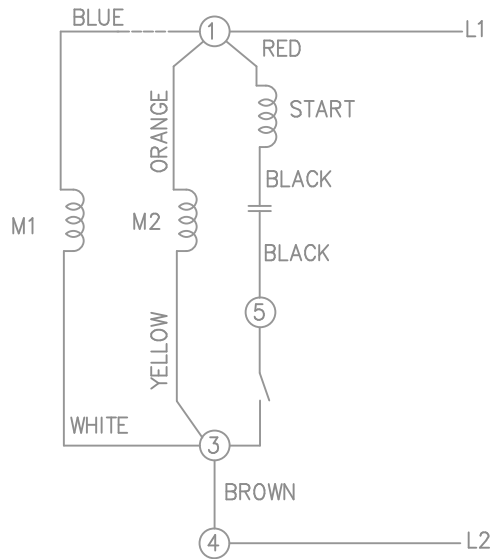


* DIMENSION IS FROM RESILIENT RING END CAP TO END OF SHAFT

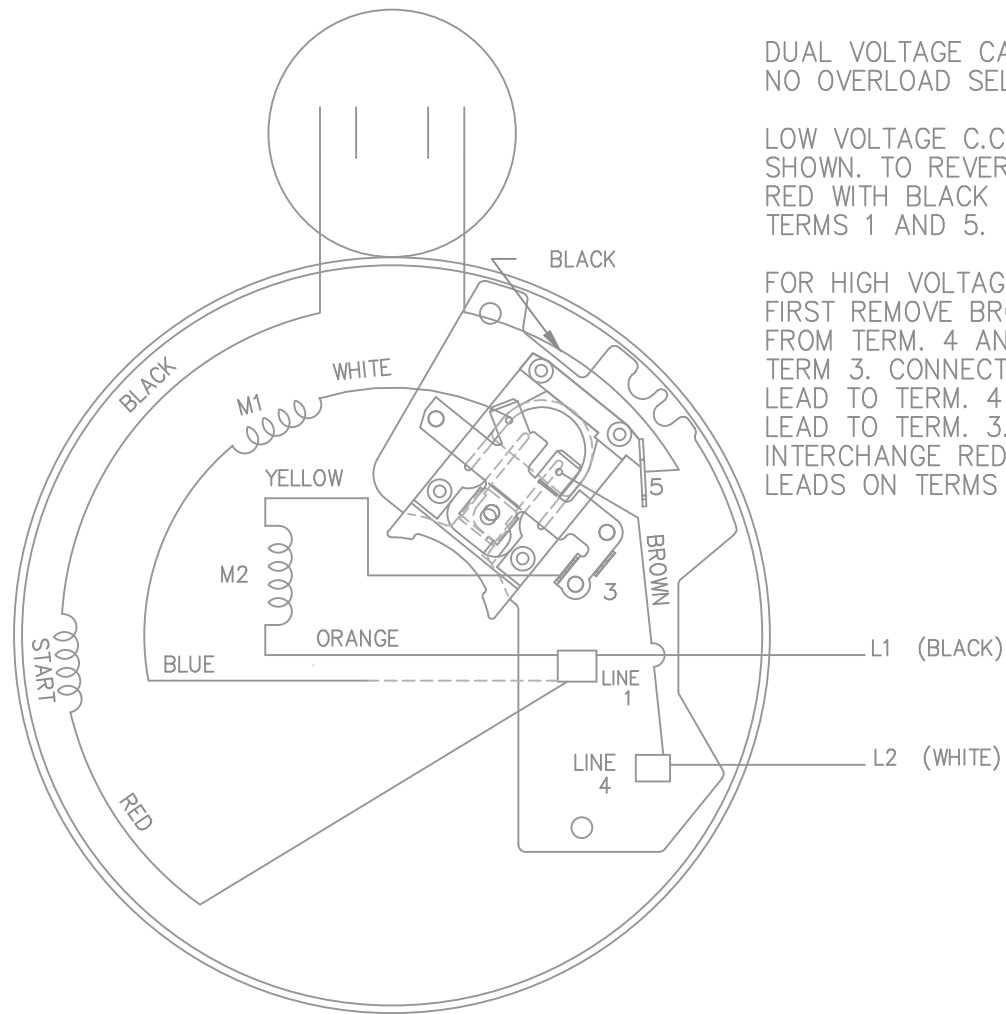
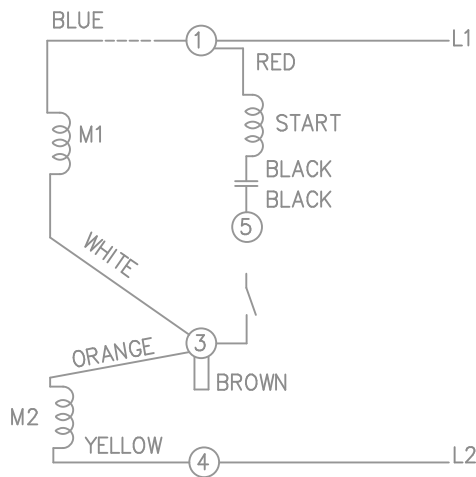
- NOTES:
 1. MOTOR MUST BE ROTATED TO PROVIDE SOCKET CLEARANCE FOR GROUND SCREW, MAXIMUM (10 DEGREES).

DASH	FRAME	C	XB	XD
656	56-	10.85	0	5.50
706	56-	11.35	0	6.00
756	"-	11.85	5.00	6.50
856	"-	12.85	5.00	6.50

				TOLERANCES UNLESS SPECIFIED			DRAWN PGK 12-16-1996			
				DEC.	INCHES		CHK	ML	01-16-1997	
8	ADDED DASH 6 IN THE REFERENCE TABLE	SVL 12/14/2005	AT	.X	±.1	TITLE OUTLINE 56FR. - 1ø-BB-DR.PR.-RESIL. MT.	APPD	GK	01-16-1997	
7	REDRAWN IN AUTOCAD	TAT 09-01-2004	ML	.XX	±.03		SCALE	3=8		
6	ADDED NOTE CN 24378	PGK 06-09-1997		.XXX	±.005		REF			
5	REDRAWN ON CADD	PGK 01-16-1997		.XXXX	±.0005		FMF			
NO.	REVISION	BY & DATE	CHK	ANG	±'30"		FINISH	PREV		
THIS DRAWING IN DESIGN AND DETAIL IS OUR PROPERTY AND MUST NOT BE USED EXCEPT IN CONNECTION WITH OUR WORK ALL RIGHTS OF DESIGN AND INVENTION ARE RESERVED THIS IS AN ELECTRONICALLY GENERATED DOCUMENT - DO NOT SCALE THIS PRINT				RFP	CAD FILE 100121		SIZE	DRAWING NO.	PAGE 1 OF 1	REV.
				DIST	WP		A	100121		8



HIGH VOLTAGE - C.C.W.



DUAL VOLTAGE CAPACITOR START
NO OVERLOAD SELECT ROTATION.

LOW VOLTAGE C.C.W. ROTATION
SHOWN. TO REVERSE, INTERCHANGE
RED WITH BLACK LEAD ON
TERMS 1 AND 5.

FOR HIGH VOLTAGE C.C.W. ROT.
FIRST REMOVE BROWN JUMPER
FROM TERM. 4 AND ATTACH TO
TERM 3. CONNECT YELLOW
LEAD TO TERM. 4 AND ORANGE
LEAD TO TERM. 3. TO REVERSE
INTERCHANGE RED WITH BLACK
LEADS ON TERMS 1 AND 5.

				TOLERANCES UNLESS SPECIFIED		MARATHON ELECTRIC	DRAWN PGK 06-20-1996					
				DEC.	INCHES		CHK	MRB	07-10-1996			
				.X	± -	TITLE CONNECTION DIAGRAM	APPD	GK	07-10-1996	SCALE	5=8	
7	M1 & M2 WERE REVERSED IN MAIN VIEW CN 31843	DRS 09-28-2002	ML	.XXX	± -		REF					
6	REDRAWN ON CADD, NO CHANGES	PGK 07-10-1996		.XXXX	± -		MAT'L.	FMF				
NO.	REVISION	BY & DATE	CHK	ANG	± -	FINISH	PREV					
THIS DRAWING IN DESIGN AND DETAIL IS OUR PROPERTY AND MUST NOT BE USED EXCEPT IN CONNECTION WITH OUR WORK ALL RIGHTS OF DESIGN AND INVENTION ARE RESERVED THIS IS AN ELECTRONICALLY GENERATED DOCUMENT - DO NOT SCALE THIS PRINT				RFP		CAD FILE 102005-1	SIZE	DRAWING NO.	PAGE	OF	REV.	
				DIST	WP		A	102005-1			7	

