

PRODUCT INFORMATION PACKET

Model No: 056C17D5348
Catalog No: B337
1,1725,DP,56,1/60/SPL
Fan and Blower



Regal and Marathon are trademarks of Regal Beloit Corporation or one of its affiliated companies.
©2018 Regal Beloit Corporation, All Rights Reserved. MC017097E





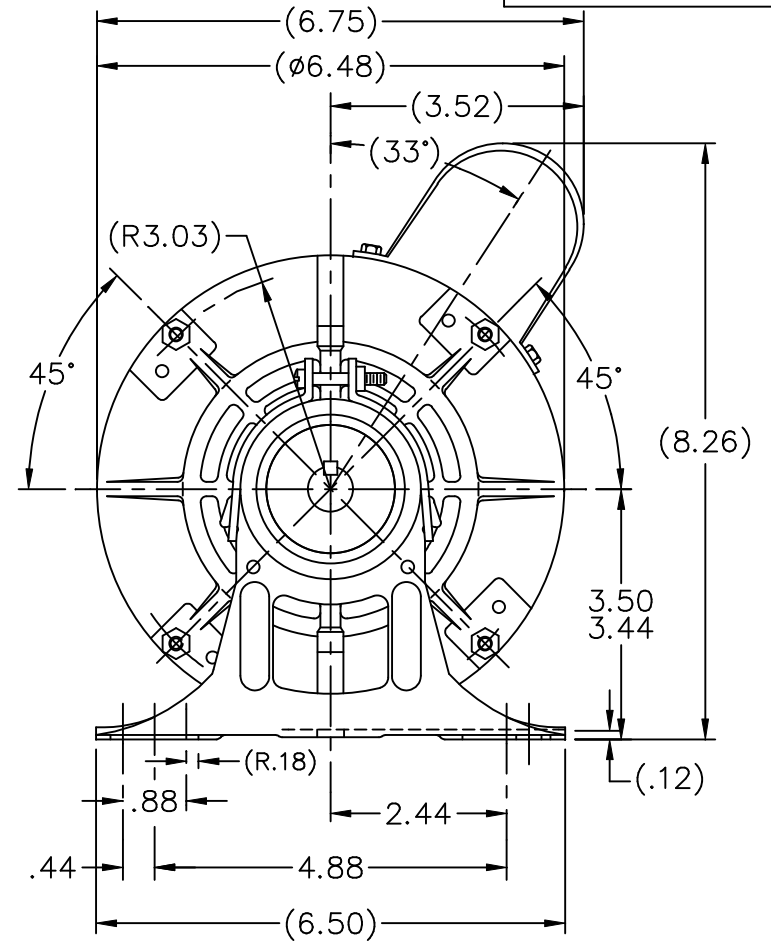
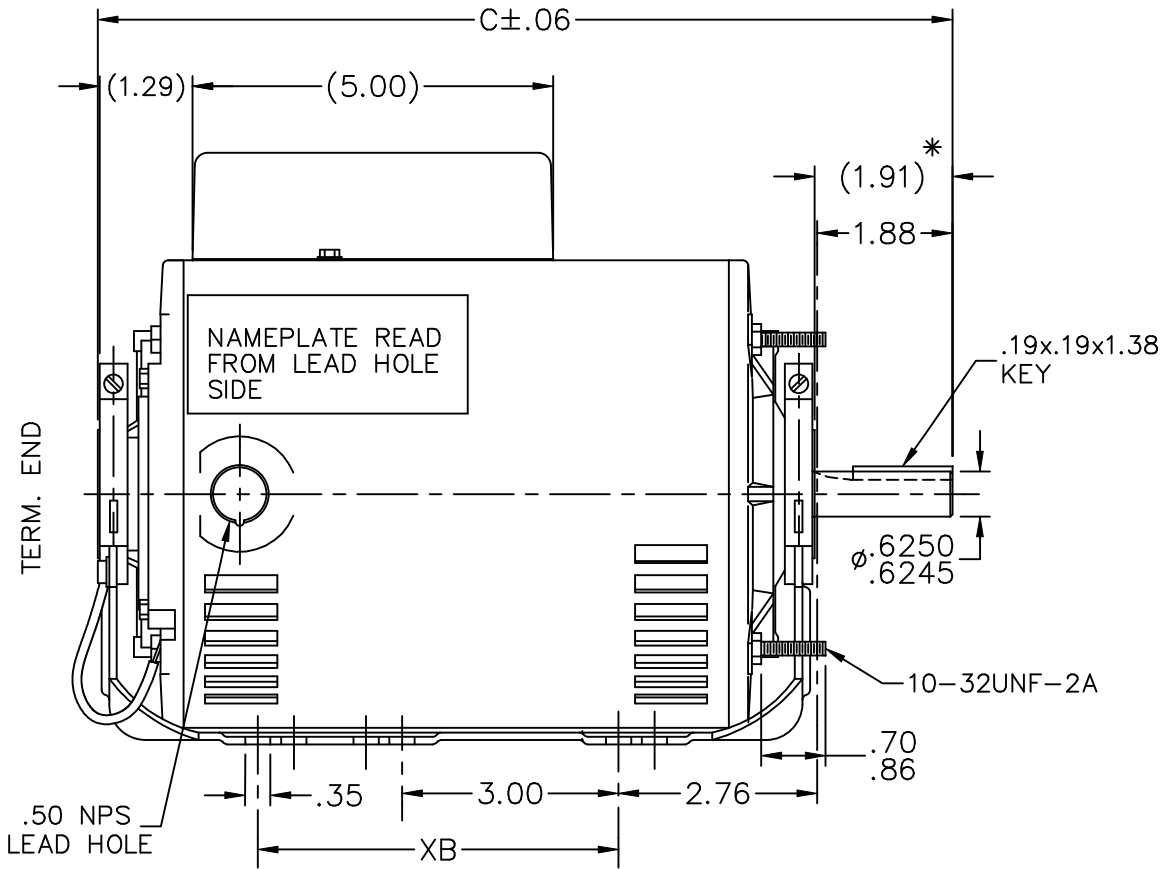
Nameplate Specifications

Output HP	1 Hp	Output KW	0.75 kW
Frequency	60 Hz	Voltage	277 V
Current	5.6 A	Speed	1725 rpm
Service Factor	1.25	Phase	1
Efficiency	72 %	Duty	Continuous
Insulation Class	B	Design Code	NO DESIGN CODE
KVA Code	J	Frame	56
Enclosure	Drip Proof	Overload Protector	No
Ambient Temperature	40 °C	Drive End Bearing Size	6203
Opp Drive End Bearing Size	6203	UL	Recognized
CSA	Y	CE	Y
IP Code	12		

Technical Specifications

Electrical Type	Capacitor Start Induction Run	Starting Method	Across The Line
Poles	4	Rotation	Selective Counterclockwise
Mounting	Resilient Base - Extended Studs	Motor Orientation	Horizontal
Drive End Bearing	Ball	Opp Drive End Bearing	Ball
Frame Material	Rolled Steel	Shaft Type	T
Overall Length	11.85 in	Frame Length	7.56 in
Shaft Diameter	0.625 in	Shaft Extension	1.91 in
Assembly/Box Mounting	F1 Only		
Outline Drawing	A-100136-756	Connection Diagram	102005-7

This is an uncontrolled document once printed or downloaded and is subject to change without notice. Date Created: 06/29/2018



* DIMENSION IS FROM RESILIENT RING END CAP TO END OF SHAFT

DASH	FR.	C	XB		DASH	FR.	C	XB	
					856	56-85	12.85	5.00	
706	56-70	11.35	0						
756	"-75	11.85	5.00						

NO.	REVISION	BY & DATE	CHK	TOLERANCES UNLESS SPECIFIED	
				DEC.	INCHES
9	REDRAWN IN AUTOCAD	TAT 09-01-2004	ML	.XX	±.03
8	DIM. .70/.86 WAS .77/.89	CN 19366	AJS	12-02-1994	.XXX ±.005
7	REDRAWN ON CADD	KL 08-06-1993		.XXXX	±.0005
				ANG	±7'30"

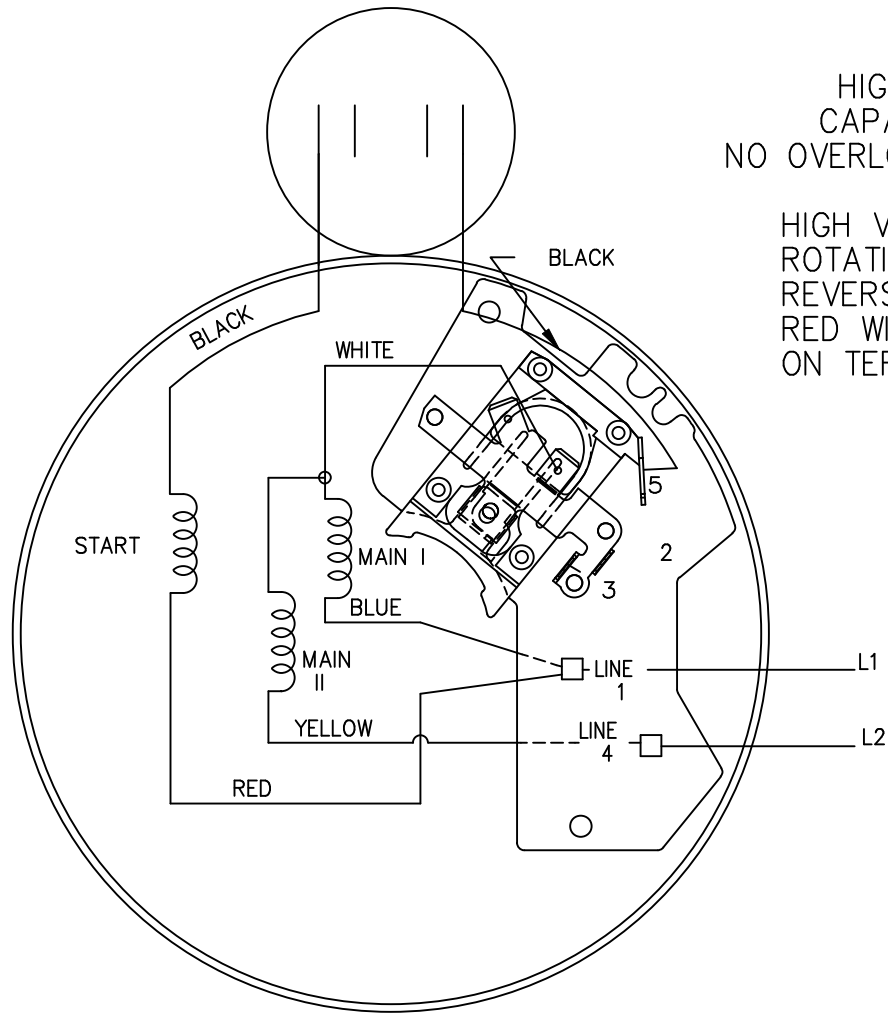
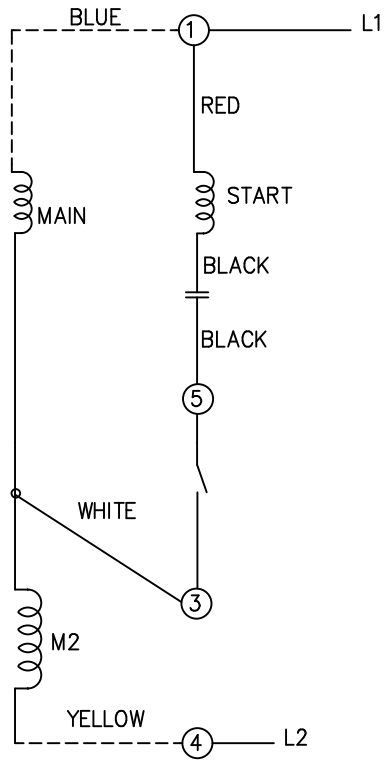
MARATHON ELECTRIC

TITLE OUTLINE
56 FR. - BB - 1ø - DR.PR.

MAT'L.
FINISH

DRAWN	KL 08-05-1993
CHK	ML 08-06-1993
APPD	ET 08-06-1993
SCALE	3=8
REF	
FMF	
PREV	

THIS DRAWING IN DESIGN AND DETAIL IS OUR PROPERTY AND MUST NOT BE USED EXCEPT IN CONNECTION WITH OUR WORK ALL RIGHTS OF DESIGN AND INVENTION ARE RESERVED THIS IS AN ELECTRONICALLY GENERATED DOCUMENT - DO NOT SCALE THIS PRINT			RFP	CAD FILE 100136	SIZE A	DRAWING NO. 100136	PAGE OF	REV. 9
			DIST WP					



HIGH VOLTAGE
CAPACITOR START
NO OVERLOAD SELECT ROT.

HIGH VOLTAGE C.C.W.
ROTATION SHOWN, TO
REVERSE, INTERCHANGE
RED WITH BLACK LEADS
ON TERMS. 1 AND 5.

				TOLERANCES UNLESS SPECIFIED			DRAWN PGK 07-03-1996		
				DEC.	INCHES		CHK MRB 07-10-1996		
				.X	±.1		APPD GK 07-10-1998		
				.XX	±.02		SCALE 5=8		
				.XXX	±.005		REF		
2	REDRAWN ON CADD, NO CHANGES	PGK 07-10-1996		.XXXX	±.0005	TITLE CONNECTION DIAGRAM		FMF	
NO.	REVISION	BY & DATE	CHK	ANG	±7'30"	FINISH		PREV	
THIS DRAWING IN DESIGN AND DETAIL IS OUR PROPERTY AND MUST NOT BE USED EXCEPT IN CONNECTION WITH OUR WORK ALL RIGHTS OF DESIGN AND INVENTION ARE RESERVED THIS IS AN ELECTRONICALLY GENERATED DOCUMENT - DO NOT SCALE THIS PRINT				RFP	CAD FILE 102005		SIZE	DRAWING NO. PAGE OF	REV.
				DIST	WP	A	102005-7	2	

CERTIFICATION DATA SHEET

Model#: 56C17D5348 E WINDING#: ZC407 NONE 4
 CONN. DIAGRAM: 102005-7 ASSEMBLY: F1 ONLY
 OUTLINE: A-100136-756

TYPICAL MOTOR PERFORMANCE DATA

HP	KW	SYNC. RPM	F.L. RPM	FRAME	ENCLOSURE	KVA CODE	DESIGN
1	.75	1800	1725	56	DP	J	NO DESIGN CODE

PH	Hz	VOLTS	FL AMPS	START TYPE	DUTY	INSL	S.F	AMB°C	ELEVATION
1	60	277	5.6	ACROSS THE LINE	CONTINUOUS	B3	1.25	40	3300

FULL LOAD EFF: 72	3/4 LOAD EFF: 70	1/2 LOAD EFF: 64.3	GTD. EFF	ELEC. TYPE	NO LOAD AMPS
FULL LOAD PF: 69.5	3/4 LOAD PF: 60.5	1/2 LOAD PF: 49	0	CAP START IND RUN	3.7

F.L. TORQUE	LOCKED ROTOR AMPS	L.R. TORQUE	B.D. TORQUE	F.L. RISE°C
48.3 LB-FT	28.8	142.5 LB-FT 0	122 LB-FT 0	75

SOUND PRESSURE @ 3 FT.	SOUND POWER	ROTOR WK^2	MAX. WK^2	SAFE STALL TIME	STARTS /HOUR	APPROX. MOTOR WGT
0 dBA	10 dBA	0 LB-FT^2	6.1 LB-FT^2	5 SEC.	2	0 LBS.

*** SUPPLEMENTAL INFORMATION ***

DE BRACKET TYPE	ODE BRACKET TYPE	MOUNT TYPE	ORIENTATION	SEVERE DUTY	HAZARDOUS LOCATION	DRIP COVER	SCREENS	PAINT
STANDARD	STANDARD	RESILIENT BASE-EXTENDED STUDS	HORIZONTAL	FALSE	NONE	FALSE	NONE	GRAY (POWDER)

BEARINGS		GREASE	SHAFT TYPE	SPECIAL DE	SPECIAL ODE	SHAFT MATERIAL	FRAME MATERIAL
DE	OPE						
BALL	BALL	POLYREX EM	T	NONE	NONE	1144 STRESSPROOF (C-223)	ROLLED STEEL
6203	6203						

THERMO-PROTECTORS				THERMISTORS	CONTROL	SPACE /n HEATERS
THERMOSTATS	PROTECTORS	WDG RTDs	BRG RTDs			
NONE	NOT	NONE	NONE	NONE	FALSE	NONE VOLTS

If Inverter equals NONE, contact factory for further information

*
N
O
T
E
S
*

INVERTER TORQUE: NONE
INV. HP SPEED RANGE: NONE
ENCODER: NONE
NONE NONE
NONE NONE PPR
BRAKE: NONE NONE
NONE P/N NONE
NONE NONE
NONE FT-LB NONE V NONE Hz

** Subject to change without notice.