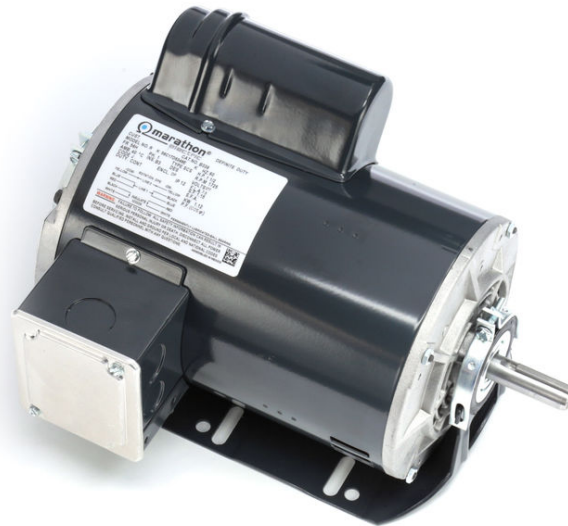


# PRODUCT INFORMATION PACKET

Model No: 056C17D5349  
Catalog No: B338  
1 1/2, 1800, DP, 56H, 1/60/SPL  
Fan and Blower



Regal and Marathon are trademarks of Regal Beloit Corporation or one of its affiliated companies.  
©2018 Regal Beloit Corporation, All Rights Reserved. MC017097E





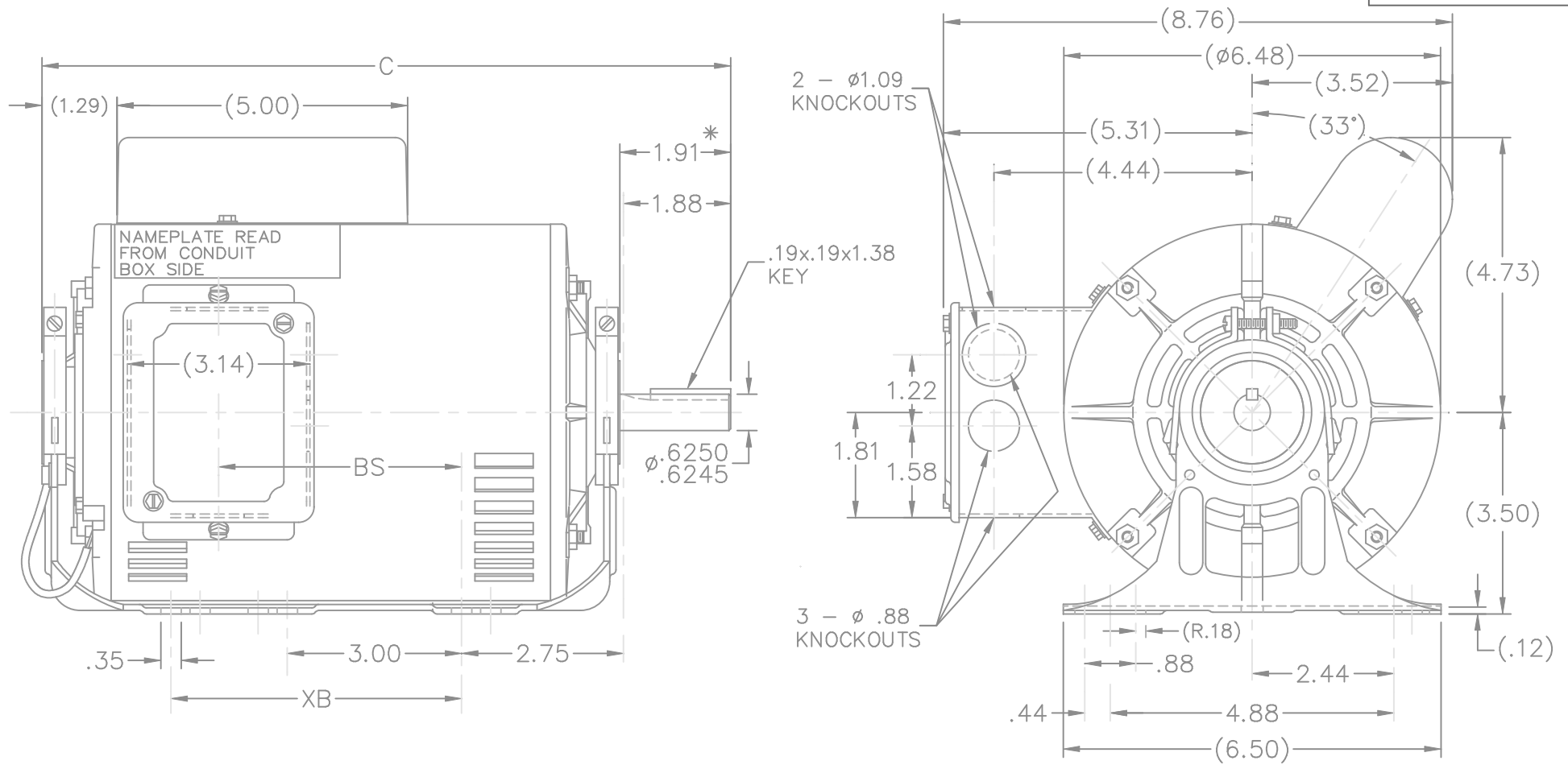
### Nameplate Specifications

Output HP	<b>1.50 Hp</b>	Output KW	<b>1.1 kW</b>
Frequency	<b>60 Hz</b>	Voltage	<b>277 V</b>
Current	<b>7.5 A</b>	Speed	<b>1725 rpm</b>
Service Factor	<b>1.15</b>	Phase	<b>1</b>
Efficiency	<b>77 %</b>	Duty	<b>Continuous</b>
Insulation Class	<b>B</b>	Design Code	<b>NO DESIGN CODE</b>
KVA Code	<b>J</b>	Frame	<b>56H</b>
Enclosure	<b>Drip Proof</b>	Overload Protector	<b>No</b>
Ambient Temperature	<b>40 °C</b>	Drive End Bearing Size	<b>6203</b>
Opp Drive End Bearing Size	<b>6203</b>	UL	<b>No</b>
CSA	<b>N</b>	CE	<b>N</b>
IP Code	<b>12</b>		

### Technical Specifications

Electrical Type	<b>Capacitor Start Induction Run</b>	Starting Method	<b>Across The Line</b>
Poles	<b>4</b>	Rotation	<b>Selective Counterclockwise</b>
Mounting	<b>Resilient Base - Extended Studs</b>	Motor Orientation	<b>Horizontal</b>
Drive End Bearing	<b>Ball</b>	Opp Drive End Bearing	<b>Ball</b>
Frame Material	<b>Rolled Steel</b>	Shaft Type	<b>T</b>
Overall Length	<b>12.85 in</b>	Frame Length	<b>8.56 in</b>
Shaft Diameter	<b>0.625 in</b>	Shaft Extension	<b>1.91 in</b>
Assembly/Box Mounting	<b>F1 Only</b>		
Outline Drawing	<b>A-100919-856</b>	Connection Diagram	<b>102005-57</b>

This is an uncontrolled document once printed or downloaded and is subject to change without notice. Date Created: 07/02/2018



DASH	FRAME	C	XB	BS	DASH	FRAME	C	XB	BS
					856	56-85	12.85	5.00	5.18
706	56-70	11.35	0	3.68					
756	"-75	11.85	5.00	4.18					

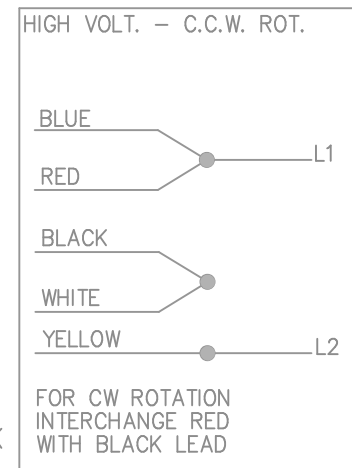
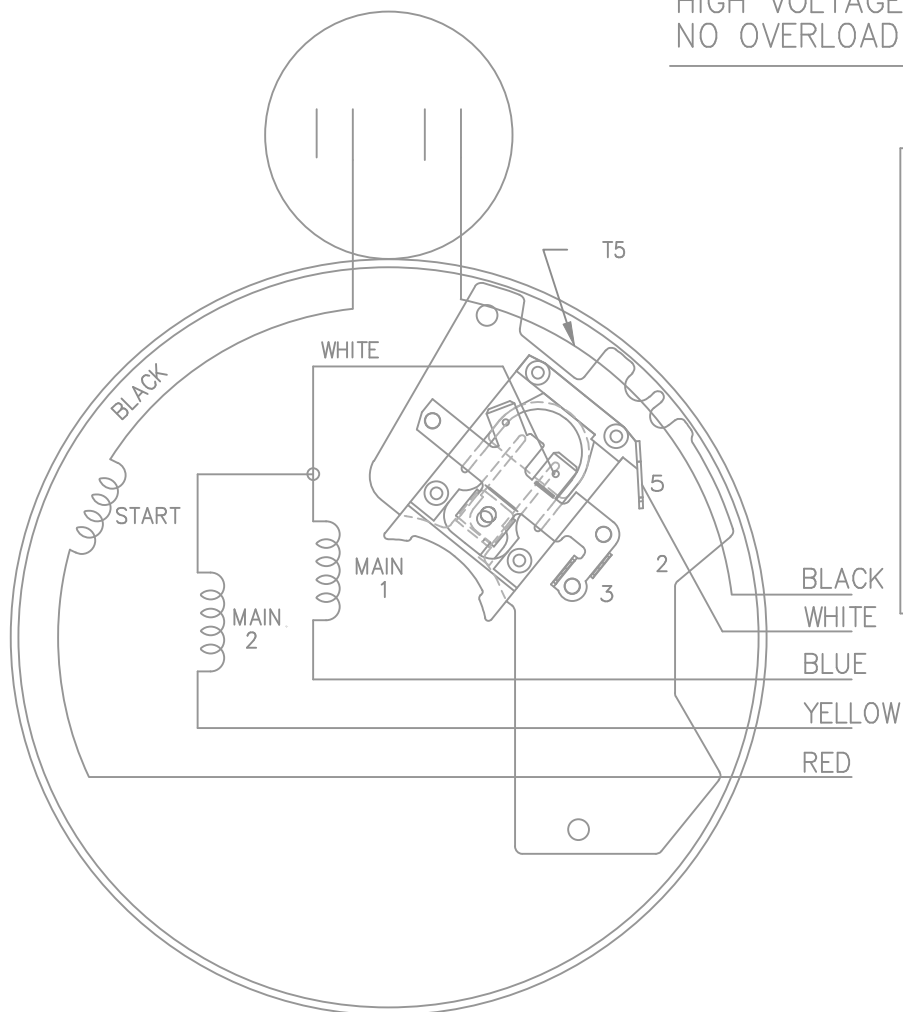
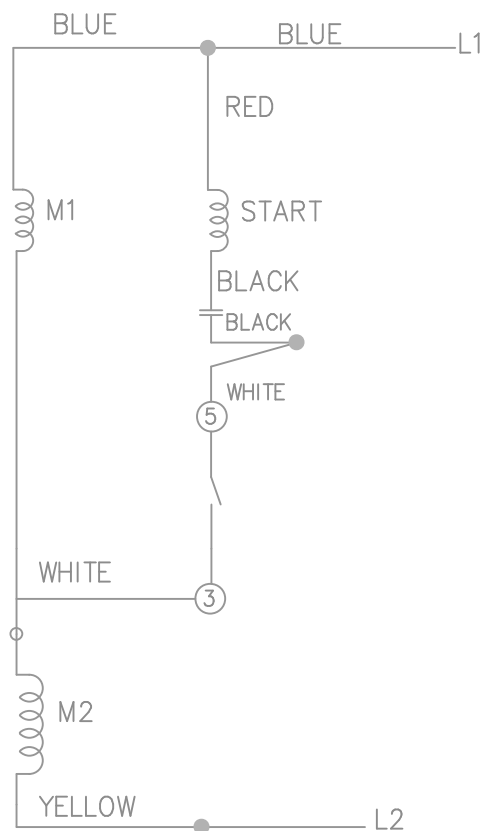
\* DIMENSION IS FROM RESILIENT RING END CAP TO END OF SHAFT

NOTE:  
1. MOTOR MUST BE ROTATED TO .75" STRIP SOCKET CLEARANCE FOR GROUND SCREW, MAXIMUM (10 DEGREES).

				TOLERANCES UNLESS SPECIFIED		MARATHON ELECTRIC		DRAWN LZ 07-21-1994	
				DEC.	INCHES			CHK	ML 07-22-1994
4	UPPDATED DRAWING			RJW	03-28-2007	.X	±.1	APPD	TG 07-27-1994
3	REDRAWN IN AUTOCAD			TAT	09-01-2004	ML	.XX ±.03	SCALE	3=8
2	ADDED NOTE	CN 24378	PGK	06-11-1997		.XXX	±.005	REF	
1	NEW DRAWING	4181687	LZ	07-27-1994		.XXXX	±.0005	FMF	
NO.	REVISION			BY & DATE		CHK	ANG	FINISH	PREV
THIS DRAWING IN DESIGN AND DETAIL IS OUR PROPERTY AND MUST NOT BE USED EXCEPT IN CONNECTION WITH OUR WORK ALL RIGHTS OF DESIGN AND INVENTION ARE RESERVED THIS IS AN ELECTRONICALLY GENERATED DOCUMENT - DO NOT SCALE THIS PRINT				RFP		CAD FILE 100919		SIZE	DRAWING NO. PAGE OF REV.
				DIST	WP			A	100919 4

HIGH VOLTAGE - C.C.W.

HIGH VOLTAGE CAPACITOR START  
NO OVERLOAD SELECT ROTATION



				TOLERANCES UNLESS SPECIFIED			DRAWN PGK 06-26-1996					
				DEC.	INCHES		CHK MRB 07-12-1996					
				.X	±.1		APPD GK 07-12-1996					
				.XX	±.02		SCALE 5=8					
				.XXX	±.005		REF					
2	REDRAWN ON CADD, NO CHANGE	PGK 07-12-1996		.XXXX	±.0005	MAT'L.				FMF		
NO.	REVISION	BY & DATE	CHK	ANG	±7'30"	FINISH				PREV		
THIS DRAWING IN DESIGN AND DETAIL IS OUR PROPERTY AND MUST NOT BE USED EXCEPT IN CONNECTION WITH OUR WORK ALL RIGHTS OF DESIGN AND INVENTION ARE RESERVED THIS IS AN ELECTRONICALLY GENERATED DOCUMENT - DO NOT SCALE THIS PRINT				RFP		CAD FILE 102005-57		SIZE	DRAWING NO.	PAGE	OF	REV.
				DIST	WP			A	102005-57			2



\*\* Subject to change without notice.