

PRODUCT INFORMATION PACKET

Model No: 056C17G5320
Catalog No: G853
1/3,1800,EPFC,56C,1/60/115/208-230
Explosion Proof



Regal and Marathon are trademarks of Regal Beloit Corporation or one of its affiliated companies.
©2018 Regal Beloit Corporation, All Rights Reserved. MC017097E



Nameplate Specifications

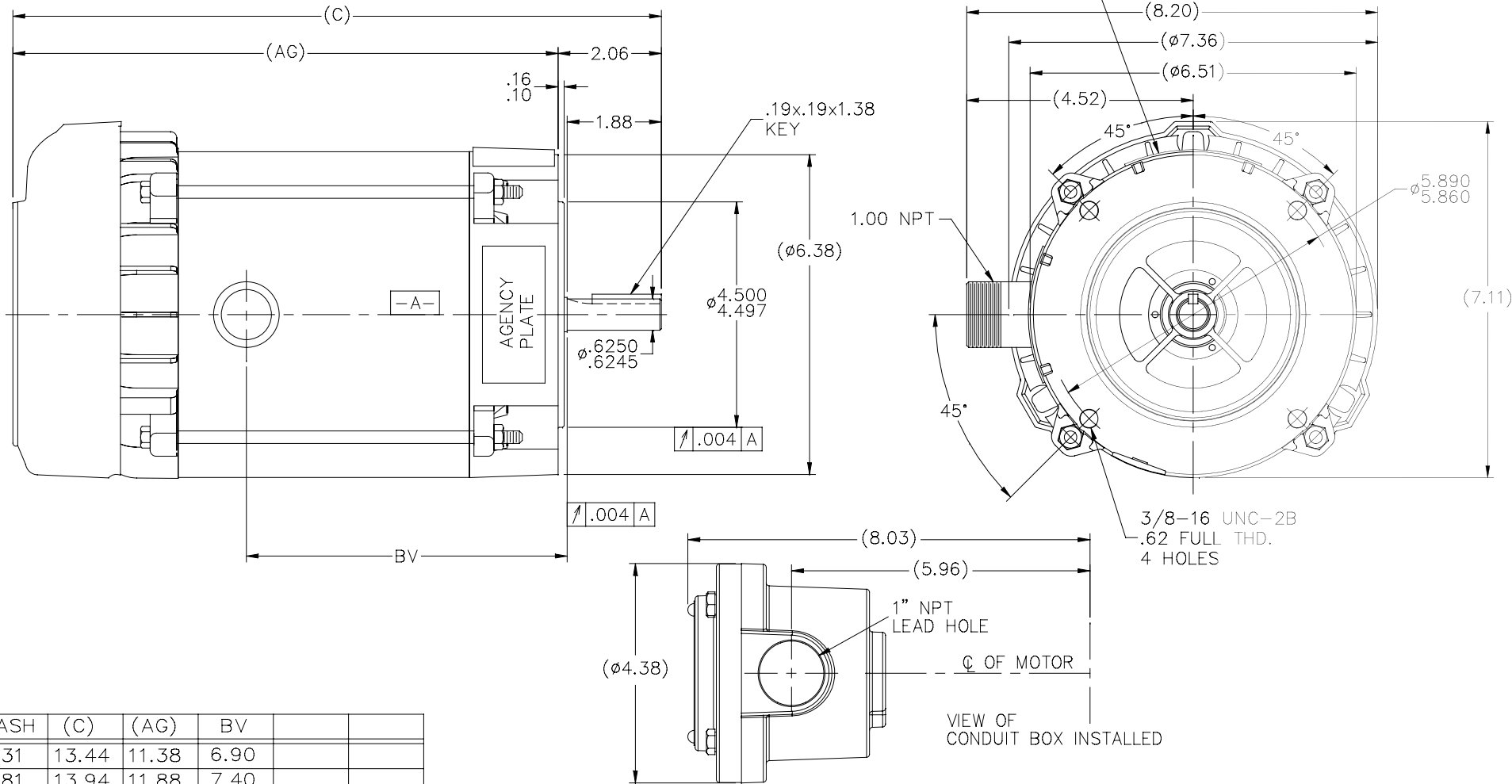
Output HP	0.33 Hp	Output KW	0.25 kW
Frequency	60 Hz	Voltage	115/208-230 V
Current	6.6/3.1-3.3 A	Speed	1725 rpm
Service Factor	1	Phase	1
Efficiency	55 %	Duty	Continuous
Insulation Class	B	Design Code	NO DESIGN CODE
KVA Code	N	Frame	56C
Enclosure	Explosion Proof Fan cooled	Overload Protector	Automatic
Ambient Temperature	40 °C	Drive End Bearing Size	6203
Opp Drive End Bearing Size	6203	UL	Recognized
CSA	N	CE	N
IP Code	54		

Technical Specifications

Electrical Type	Capacitor Start Induction Run	Starting Method	Across The Line
Poles	4	Rotation	Selective Counterclockwise
Mounting	Round	Motor Orientation	Horizontal
Drive End Bearing	Ball	Opp Drive End Bearing	Ball
Frame Material	Rolled Steel	Shaft Type	T
Overall Length	13.44 in	Frame Length	6.31 in
Shaft Diameter	0.625 in	Shaft Extension	2.06 in
Assembly/Box Mounting	F1 Only		
Outline Drawing	B-104188-631	Connection Diagram	102005-84

This is an uncontrolled document once printed or downloaded and is subject to change without notice. Date Created: 06/29/2018

NAMEPLATES TO BE READ FROM SHAFT EXT. END.



DASH	(C)	(AG)	BV		
631	13.44	11.38	6.90		
681	13.94	11.88	7.40		
731	14.44	12.38	7.90		
781	14.94	12.88	8.40		
831	15.44	13.38	8.90		
881	15.94	13.88	9.40		
931	16.44	14.38	9.90		
981	16.94	14.88	10.40		

NO.	REVISION	BY & DATE	CHK	ANG	TOLERANCES UNLESS SPECIFIED	FINISH	PREV
6		SL 09/15/15					
5	COND. BOX INSTALLED VIEW UPDATED PER ECR-0044571	UD 10/10/13	ST	DEC.	INCHES		
4	REVISED C'BOX PER CN40784A	JJB 02/23/2007	ML	.X	±.1		
3	REDRAWN IN AUTOCAD	TAT 06-28-2004	ML	.XX	±.03		
2	ADDED CONDUIT BOX VIEW CN 26686	MRB 03-22-1999		.XXX	±.005		
1	NEW DRAWING CN 23099	MH 12-02-1996	SM	.XXXX	±.0005		
					±7'30"		

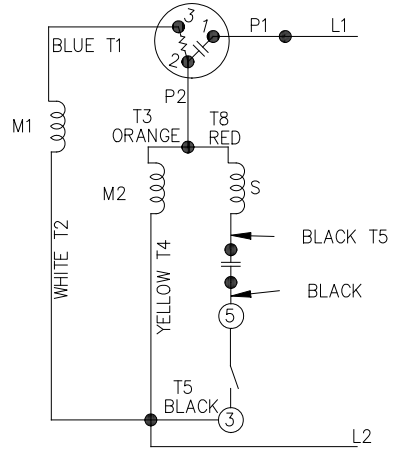
THIS DRAWING IN DESIGN AND DETAIL IS OUR PROPERTY AND MUST NOT BE USED EXCEPT IN CONNECTION WITH OUR WORK ALL RIGHTS OF DESIGN AND INVENTION ARE RESERVED THIS IS AN ELECTRONICALLY GENERATED DOCUMENT - DO NOT SCALE THIS PRINT				RFP	CAD FILE 104188	SIZE B	DRAWING NO. 104188	PAGE OF 6	REV. 6
				DIST WP					



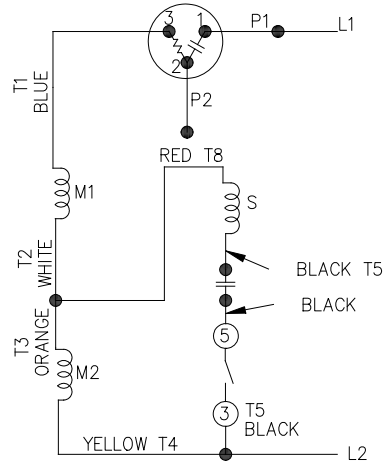
TITLE OUTLINE - 'C' FACE
56C/145TCZ FR - EXP PR.

102005-84

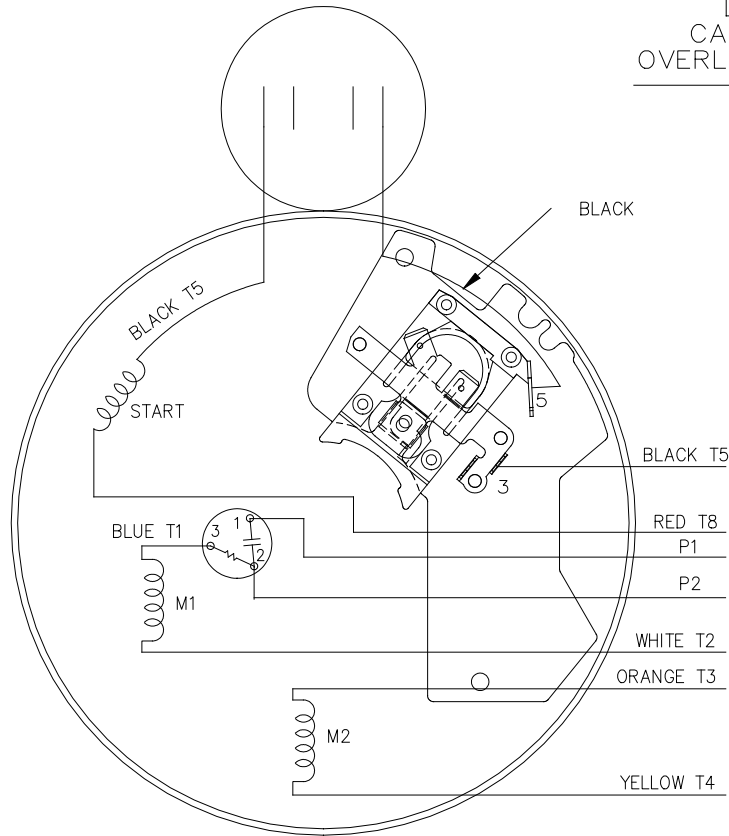
LOW VOLTAGE - C.C.W.



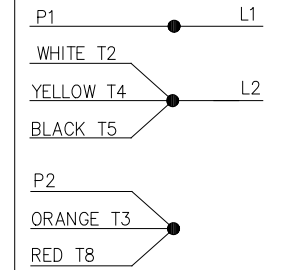
HIGH VOLTAGE - C.C.W.



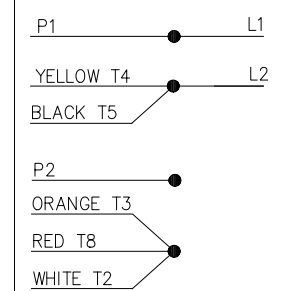
DUAL VOLTAGE
CAPACITOR START
OVERLOAD SELECT ROT.



LOW VOLT. - C.C.W. ROT.



HIGH VOLT. - C.C.W. ROT.



FOR C.W. ROTATION
EITHER VOLTAGE
INTERCHANGE RED(T8)
WITH BLACK(T5) LEAD

NO.	REVISION	BY & DATE	CHK	ANG	TOLERANCES UNLESS SPECIFIED		REGAL™ Regal Beloit America, Inc.	DRAWN PGK 07-16-1996				
					DEC.	INCHES						
5	UPDATED TEMPLETE	MVG 12/11/2017	PVR	.X	±.1			CHK MRB 07-18-1996				
4	REV'D CONNECTION TO MATCH ROTATION ISAAC 07-2021	JJB 09/05/2007	ML	.XX	±.02		TITLE CONNECTION DIAGRAM	APPD GK 07-18-1996				
3	ADDED T NO.'S MU16064	MH 08-09-1997		.XXX	±.005			SCALE 5=8				
2	REDRAWN ON CADD, NO CHANGES	PGK 07-18-1996		.XXXX	±.0005		MAT'L.	REF				
				ANG	±7'30"		FINISH	PREV				
THIS DRAWING IN DESIGN AND DETAIL IS OUR PROPERTY AND MUST NOT BE USED EXCEPT IN CONNECTION WITH OUR WORK ALL RIGHTS OF DESIGN AND INVENTION ARE RESERVED THIS IS AN ELECTRONICALLY GENERATED DOCUMENT - DO NOT SCALE THIS PRINT							RFP	CAD FILE 102005_84	SIZE A	DRAWING NO. 102005-84	PAGE OF	REV. 5
							DIST WP					

