

# PRODUCT INFORMATION PACKET

**marathon**<sup>®</sup>  
Motors

Model No: 056C34D2106  
Catalog No: D118  
1,3450,DP,56,1/60/115/208-230  
Open Drip Proof (ODP)



Regal and Marathon are trademarks of Regal Beloit Corporation or one of its affiliated companies.  
©2018 Regal Beloit Corporation, All Rights Reserved. MC017097E

**REGAL**<sup>®</sup>



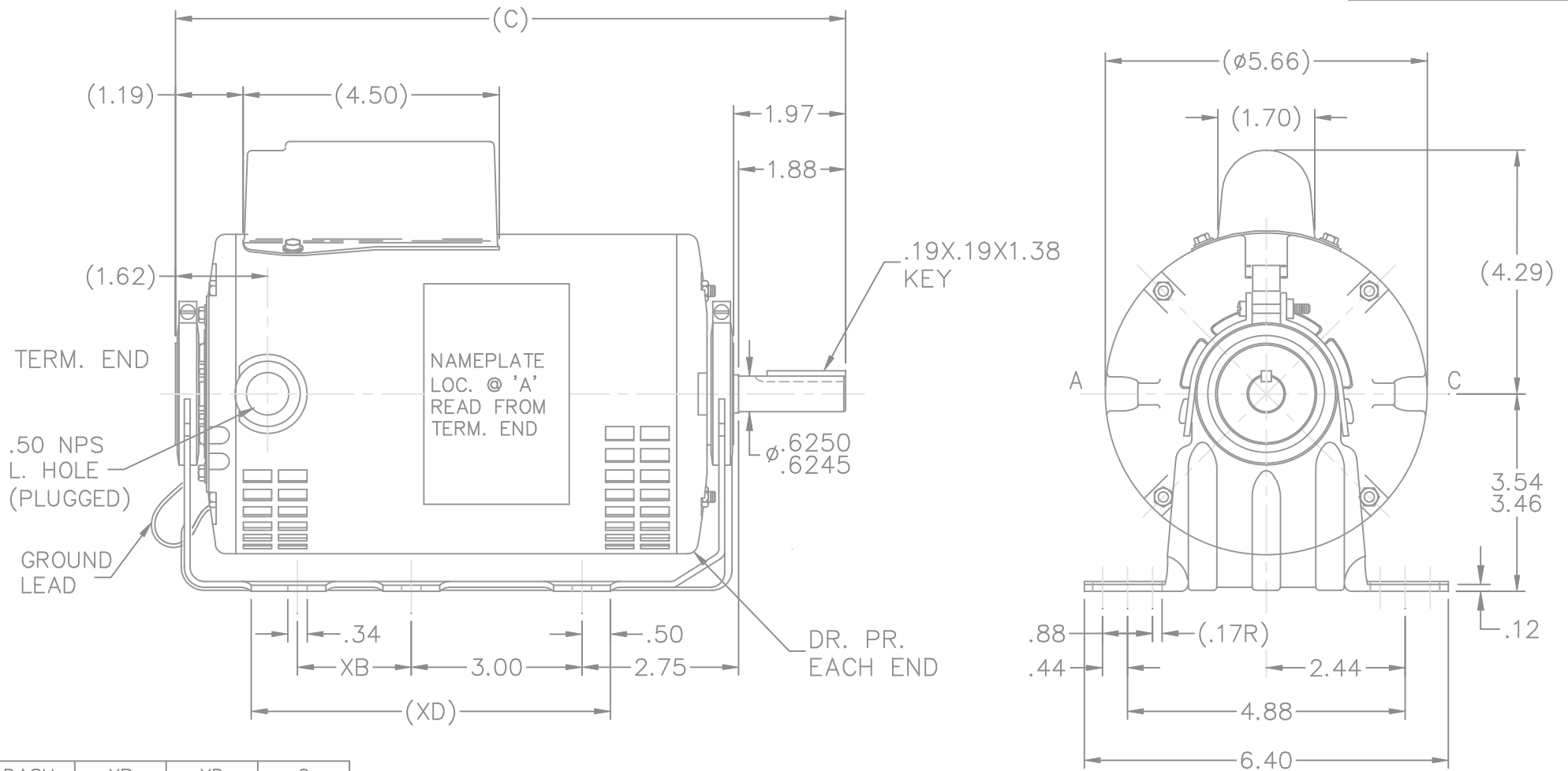
### Nameplate Specifications

Output HP	<b>1 Hp</b>	Output KW	<b>0.75 kW</b>
Frequency	<b>60 Hz</b>	Voltage	<b>115/208-230 V</b>
Current	<b>12.0/6.2-6.0 A</b>	Speed	<b>3450 rpm</b>
Service Factor	<b>1.15</b>	Phase	<b>1</b>
Efficiency	<b>72 %</b>	Duty	<b>Continuous</b>
Insulation Class	<b>B</b>	Design Code	<b>NO DESIGN CODE</b>
KVA Code	<b>K</b>	Frame	<b>56</b>
Enclosure	<b>Drip Proof</b>	Overload Protector	<b>Automatic</b>
Ambient Temperature	<b>40 °C</b>	Drive End Bearing Size	<b>6203</b>
Opp Drive End Bearing Size	<b>6203</b>	UL	<b>Recognized</b>
CSA	<b>Y</b>	CE	<b>Y</b>
IP Code	<b>22</b>		

### Technical Specifications

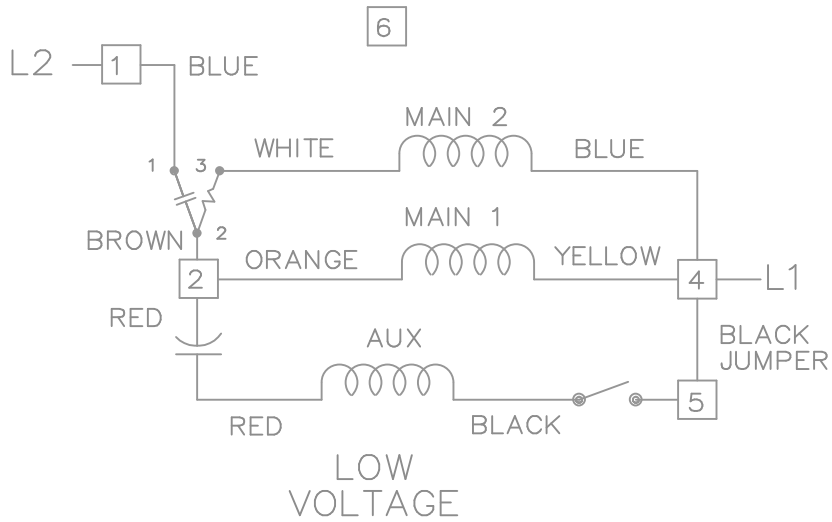
Electrical Type	<b>Capacitor Start Induction Run</b>	Starting Method	<b>Across The Line</b>
Poles	<b>2</b>	Rotation	<b>Selective Counterclockwise</b>
Mounting	<b>Resilient Base</b>	Motor Orientation	<b>Horizontal</b>
Drive End Bearing	<b>Ball</b>	Opp Drive End Bearing	<b>Ball</b>
Frame Material	<b>Rolled Steel</b>	Shaft Type	<b>NEMA 56</b>
Overall Length	<b>12.22 in</b>	Frame Length	<b>8.25 in</b>
Shaft Diameter	<b>0.625 in</b>	Shaft Extension	<b>1.97 in</b>
Assembly/Box Mounting	<b>F1 Only</b>		
Outline Drawing	<b>A-SS403620-825</b>	Connection Diagram	<b>A-EE9002M</b>

This is an uncontrolled document once printed or downloaded and is subject to change without notice. Date Created: 06/29/2018

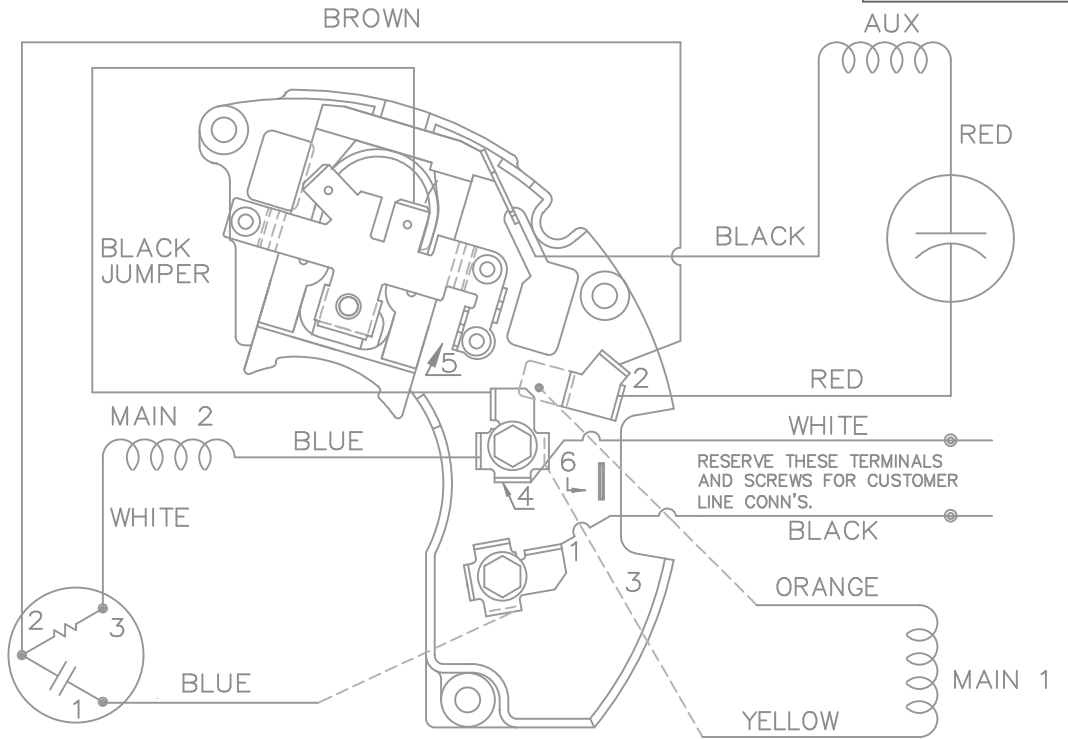


DASH	XB	XD	C
725	0	5.81	11.22
775	0	6.31	11.72
800	2.00	6.50	11.97
825	2.00	6.81	12.22

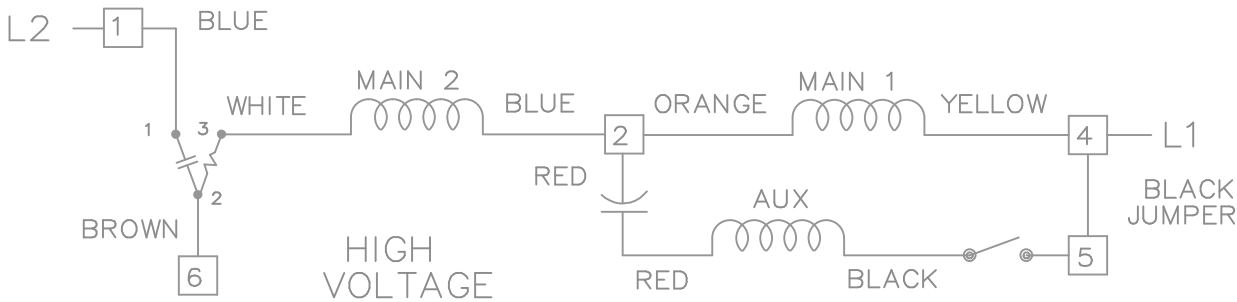
				TOLERANCES UNLESS SPECIFIED			DRAWN NB 07-06-2007				
				DEC.	INCHES		CHK VL 07-06-2007				
				.X	±.1		APPD VL 07-06-2007				
				.XX	±.03		SCALE 3=8				
				.XXX	±.005		REF SS75634				
				.XXXX	±.0005	FMF CN41440					
NO.	REVISION	BY & DATE	CHK	ANG	±7'30"	FINISH		PREV			
THIS DRAWING IN DESIGN AND DETAIL IS OUR PROPERTY AND MUST NOT BE USED EXCEPT IN CONNECTION WITH OUR WORK ALL RIGHTS OF DESIGN AND INVENTION ARE RESERVED THIS IS AN ELECTRONICALLY GENERATED DOCUMENT - DO NOT SCALE THIS PRINT				RFP	07-06-2007	CAD FILE ss403620		SIZE A	DRAWING NO. SS403620	PAGE OF	REV.
				DIST	WP						



DUAL VOLTAGE CAPACITOR START REVERSIBLE ON TERM BOARD WITH OVERLOAD PROTECTION



LOW VOLTAGE CCW ROTATION SHOWN.



FOR HIGH VOLTAGE  
CONNECT BROWN TERM 2 TO TERM 6.  
CONNECT BLUE TERM 4 TO TERM 2.

TO REVERSE ROTATION EITHER  
VOLTAGE INTERCHANGE RED  
LEAD WITH BLACK LEAD.

				TOLERANCES UNLESS SPECIFIED			DRAWN BW 02-22-1990				
				DEC.	INCHES		CHK ML 02-22-1990				
				.X	± -		APPD GK 02-22-1990				
3	ROUTING OF BLACK JUMPER	CN 35440	BJK 08-20-2002	.XX	± -	TITLE CONNECTION DIAGRAM 48 FR. DUAL VOLTAGE REVERSIBLE	SCALE	1=1			
2	REVISED BLACK LINE LOCATION	CN 6427	RM 01-28-1991	.XXX	± -		REF				
1	NEW DRAWING		BW 02-22-1990	.XXXX	± -	MAT'L.	FMF				
NO.	REVISION		BY & DATE	CHK	ANG	FINISH	PREV				
THIS DRAWING IN DESIGN AND DETAIL IS OUR PROPERTY AND MUST NOT BE USED EXCEPT IN CONNECTION WITH OUR WORK ALL RIGHTS OF DESIGN AND INVENTION ARE RESERVED THIS IS AN ELECTRONICALLY GENERATED DOCUMENT - DO NOT SCALE THIS PRINT				RFP	CAD FILE EE9002M		SIZE	DRAWING NO.	PAGE	OF	REV.
				DIST	WP		A	EE9002M			3

CERTIFICATION DATA SHEET

Model#: 56C34D2106 G WINDING#: CE482193 NONE 3  
 CONN. DIAGRAM: A-EE9002M ASSEMBLY: F1 ONLY  
 OUTLINE: A-SS403620-825

TYPICAL MOTOR PERFORMANCE DATA

HP	KW	SYNC. RPM	F.L. RPM	FRAME	ENCLOSURE	KVA CODE	DESIGN
1	.75	3600	3450	56	DP	K	NO DESIGN CODE

PH	Hz	VOLTS	FL AMPS	START TYPE	DUTY	INSL	S.F	AMB°C	ELEVATION
1	60	115/208-230	12/6.2-6	ACROSS THE LINE	CONTINUOUS	B3	1.15	40	3300

FULL LOAD EFF: 72	3/4 LOAD EFF: 0	1/2 LOAD EFF: 0	GTD. EFF	ELEC. TYPE	NO LOAD AMPS
FULL LOAD PF: 76	3/4 LOAD PF: 0	1/2 LOAD PF: 0	0	CAP START IND RUN	7.6 / 3.8

F.L. TORQUE	LOCKED ROTOR AMPS	L.R. TORQUE	B.D. TORQUE	F.L. RISE°C
23.8 LB-FT	74.4 / 37.2	40.5 LB-FT -	65.9 LB-FT -	60

SOUND PRESSURE @ 3 FT.	SOUND POWER	ROTOR WK^2	MAX. WK^2	SAFE STALL TIME	STARTS /HOUR	APPROX. MOTOR WGT
0 dBA	10 dBA	0 LB-FT^2	0 LB-FT^2	10 SEC.	0	0 LBS.

\*\*\* SUPPLEMENTAL INFORMATION \*\*\*

DE BRACKET TYPE	ODE BRACKET TYPE	MOUNT TYPE	ORIENTATION	SEVERE DUTY	HAZARDOUS LOCATION	DRIP COVER	SCREENS	PAINT
STANDARD	STANDARD	RESILIENT BASE	HORIZONTAL	FALSE	NONE	FALSE	NONE	GRAY (POWDER)

BEARINGS		GREASE	SHAFT TYPE	SPECIAL DE	SPECIAL ODE	SHAFT MATERIAL	FRAME MATERIAL
DE	OPE	POLYREX EM	STANDARD 56	NONE	NONE	1144 STRESSPROOF (C-223)	ROLLED STEEL
BALL	BALL						
6203	6203						

THERMO-PROTECTORS				THERMISTORS	CONTROL	SPACE /n HEATERS
THERMOSTATS	PROTECTORS	WDG RTDs	BRG RTDs			
NONE	AUTOMATIC	NONE	NONE	NONE	FALSE	NONE VOLTS

If Inverter equals NONE, contact factory for further information

INVERTER TORQUE: NONE
INV. HP SPEED RANGE: NONE
ENCODER: NONE
NONE NONE
NONE NONE PPR
BRAKE: NONE NONE
NONE P/N NONE
NONE NONE
NONE FT-LB NONE V NONE Hz

\*  
N  
O  
T  
E  
S  
\*

DATE: 06/21/2017 09:22:30 AM  
 FORM 3531 REV.3 02/07/99  
 \*\* Subject to change without notice.