

PRODUCT INFORMATION PACKET

Model No: 056C34D2109
Catalog No: O211
1/3,3600,DP,56C,1/60/115/208-230
Single Phase



Regal and Marathon are trademarks of Regal Beloit Corporation or one of its affiliated companies.

©2018 Regal Beloit Corporation, All Rights Reserved. MC017097E





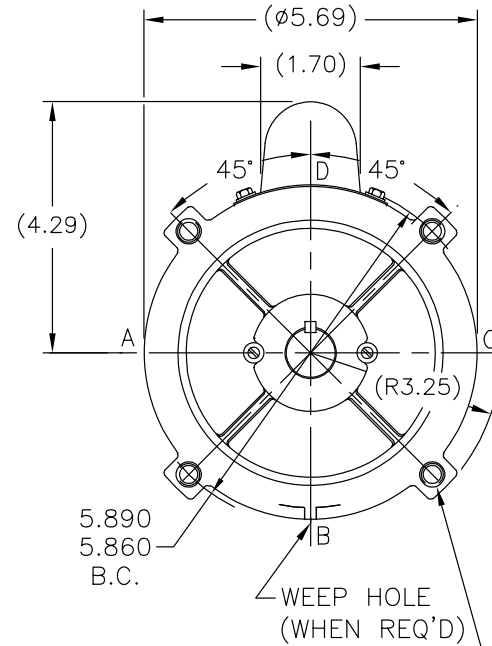
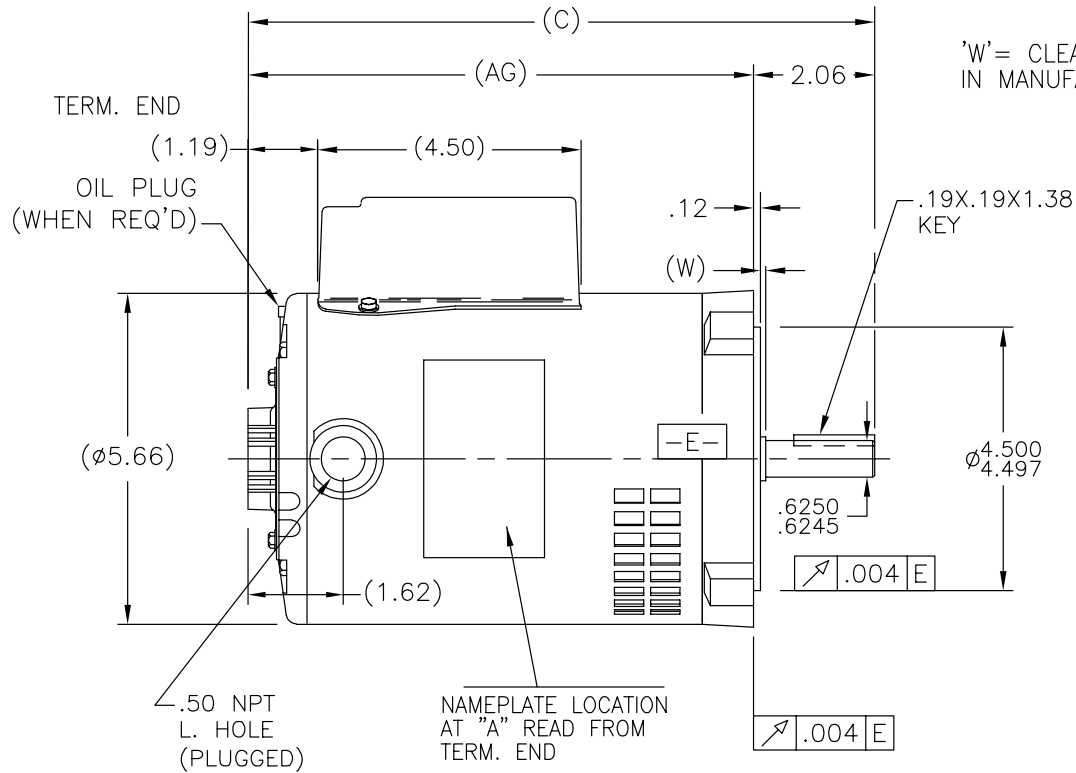
Nameplate Specifications

Output HP	0.33 Hp	Output KW	0.25 kW
Frequency	60 Hz	Voltage	115/208-230 V
Current	5.6/2.7-2.8 A	Speed	3450 rpm
Service Factor	1.75	Phase	1
Efficiency	64 %	Duty	Continuous
Insulation Class	B	Design Code	NO DESIGN CODE
KVA Code	L	Frame	56C
Enclosure	Drip Proof	Overload Protector	Manual
Ambient Temperature	40 °C	Drive End Bearing Size	6203
Opp Drive End Bearing Size	6203	UL	Recognized
CSA	Y	CE	Y
IP Code	22		

Technical Specifications

Electrical Type	Capacitor Start Induction Run	Starting Method	Across The Line
Poles	2	Rotation	Selective Counterclockwise
Mounting	Round	Motor Orientation	Horizontal
Drive End Bearing	Ball	Opp Drive End Bearing	Ball
Frame Material	Rolled Steel	Shaft Type	T
Overall Length	10.44 in	Frame Length	6.50 in
Shaft Diameter	0.625 in	Shaft Extension	2.06 in
Assembly/Box Mounting	F1 Only		
Outline Drawing	A-SS75606-650	Connection Diagram	A-EE9002M

SS75606

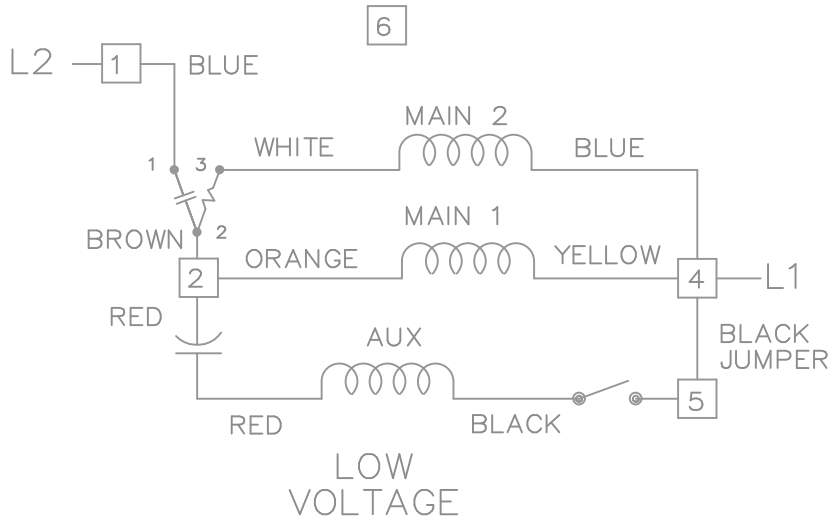


3/8-16 UNC-2B
.56 MIN. FULL THD.
4 HOLES

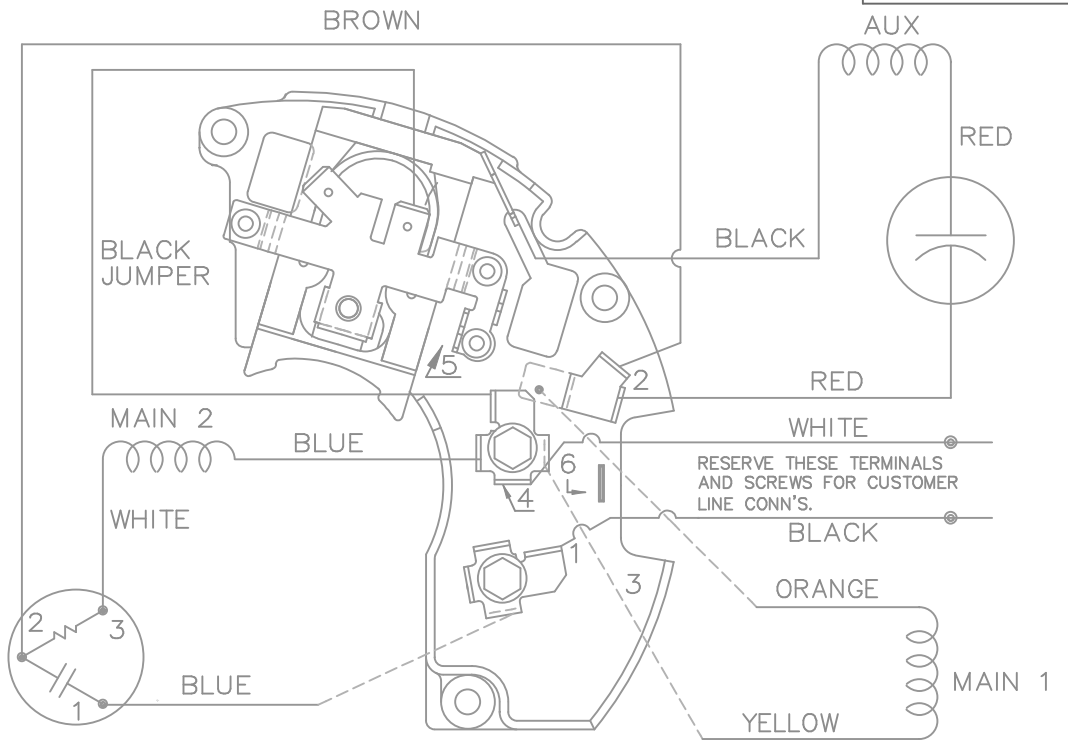
DASH	FR	C	AG	DASH	FR	C	AG	DASH	FR	C	AG
625	56	10.19	8.12	700	56	10.94	8.88	800	56	11.94	9.88
650	56	10.44	8.37	725	56	11.19	9.13				
675	56	10.69	8.63	775	56	11.69	9.63				

NO.	REVISION	BY & DATE	CHK	ANG	TOLERANCES UNLESS SPECIFIED	FINISH	PREV
6	UPDATED FRAME TO 56	PST 1/8/15	PI				DRAWN RM 10-09-1992
5	UPDATED DRAWING	TJW 04/20/2007	MJS	DEC.	INCHES		CHK MOL 10-09-1992
4	ADDED NOTE TO WEEP HOLE (WHEN REQ'D)	BJK 08-20-2002		.X	±.1		APPD JAY 10-12-1992
		MU43025/43027		.XX	±.03	TITLE OUTLINE	SCALE 3=8
3	ADDED NEW FRONT BRACKET	CN 20124RJM 04-04-1995		.XXX	±.005		REF
2	ADD NOTE: OIL PLUG WHEN REQ'D	4009035DD 04-12-1993		.XXXX	±.0005	MAT'L.	FMF
					±.7'30"		
			RFP			CAD FILE ss75606	SIZE A DRAWING NO. SS75606 PAGE 3 OF 8 REV. 6
			DIST	WP			

THIS DRAWING IN DESIGN AND DETAIL IS OUR PROPERTY AND MUST NOT BE USED EXCEPT IN CONNECTION WITH OUR WORK ALL RIGHTS OF DESIGN AND INVENTION ARE RESERVED THIS IS AN ELECTRONICALLY GENERATED DOCUMENT - DO NOT SCALE THIS PRINT

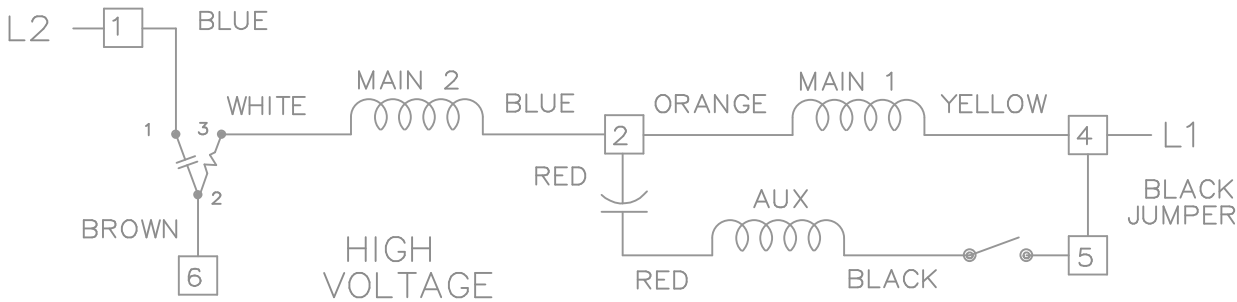


DUAL VOLTAGE CAPACITOR START REVERSIBLE ON TERM BOARD WITH OVERLOAD PROTECTION



VIEWING TERM END

LOW VOLTAGE CCW ROTATION SHOWN.



FOR HIGH VOLTAGE CONNECT BROWN TERM 2 TO TERM 6. CONNECT BLUE TERM 4 TO TERM 2.

TO REVERSE ROTATION EITHER VOLTAGE INTERCHANGE RED LEAD WITH BLACK LEAD.

				TOLERANCES UNLESS SPECIFIED		MARATHON ELECTRIC	DRAWN BW 02-22-1990					
				DEC.	INCHES		CHK	ML	02-22-1990			
				.X	± -	TITLE CONNECTION DIAGRAM 48 FR. DUAL VOLTAGE REVERSIBLE	APPD	GK	02-22-1990	SCALE	1=1	
3	ROUTING OF BLACK JUMPER	CN 35440	BJK 08-20-2002	.XX	± -		MAT'L.	REF				
2	REVISED BLACK LINE LOCATION	CN 6427	RM 01-28-1991	.XXX	± -		FINISH	FMF				
1	NEW DRAWING		BW 02-22-1990	.XXXX	± -		PREV					
NO.	REVISION		BY & DATE	CHK	ANG	± -						
THIS DRAWING IN DESIGN AND DETAIL IS OUR PROPERTY AND MUST NOT BE USED EXCEPT IN CONNECTION WITH OUR WORK ALL RIGHTS OF DESIGN AND INVENTION ARE RESERVED THIS IS AN ELECTRONICALLY GENERATED DOCUMENT - DO NOT SCALE THIS PRINT				RFP	CAD FILE EE9002M			SIZE	DRAWING NO.	PAGE	OF	REV.
				DIST	WP		A	EE9002M				3

CERTIFICATION DATA SHEET

Model#: 56C34D2109 F WINDING#: CE482197 NONE 3
 CONN. DIAGRAM: A-EE9002M ASSEMBLY: F1 ONLY
 OUTLINE: A-SS75606-650

TYPICAL MOTOR PERFORMANCE DATA

HP	KW	SYNC. RPM	F.L. RPM	FRAME	ENCLOSURE	KVA CODE	DESIGN
1/3	.25	3600	3450	56C	DP	L	NO DESIGN CODE

PH	Hz	VOLTS	FL AMPS	START TYPE	DUTY	INSL	S.F	AMB°C	ELEVATION
1	60	115/208-230	5.6/2.7-2.8	ACROSS THE LINE	CONTINUOUS	B3	1.75	40	3300

FULL LOAD EFF: 64	3/4 LOAD EFF: 57	1/2 LOAD EFF: 48	GTD. EFF	ELEC. TYPE	NO LOAD AMPS
			0	CAP START IND RUN	4.4 / 2.2

F.L. TORQUE	LOCKED ROTOR AMPS	L.R. TORQUE	B.D. TORQUE	F.L. RISE°C
8 LB-FT	28.2 / 14.1	14.3 LB-FT -	23 LB-FT -	30

SOUND PRESSURE @ 3 FT.	SOUND POWER	ROTOR WK^2	MAX. WK^2	SAFE STALL TIME	STARTS /HOUR	APPROX. MOTOR WGT
- dBA	- dBA	0 LB-FT^2	- LB-FT^2	- SEC.	-	0 LBS.

*** SUPPLEMENTAL INFORMATION ***

DE BRACKET TYPE	ODE BRACKET TYPE	MOUNT TYPE	ORIENTATION	SEVERE DUTY	HAZARDOUS LOCATION	DRIP COVER	SCREENS	PAINT
C-FACE	STANDARD	ROUND	HORIZONTAL	FALSE	NONE	FALSE	NONE	GRAY (POWDER)

BEARINGS		GREASE	SHAFT TYPE	SPECIAL DE	SPECIAL ODE	SHAFT MATERIAL	FRAME MATERIAL
DE	OPE	POLYREX EM	T	NONE	NONE	1144 STRESSPROOF (C-223)	ROLLED STEEL
BALL	BALL						
6203	6203						

THERMO-PROTECTORS				THERMISTORS	CONTROL	SPACE /n HEATERS
THERMOSTATS	PROTECTORS	WDG RTDs	BRG RTDs			
NONE	MANUAL	NONE	NONE	NONE	FALSE	NONE VOLTS

If Inverter equals NONE, contact factory for further information

*
N
O
T
E
S
*

INVERTER TORQUE: NONE
INV. HP SPEED RANGE: NONE
ENCODER: NONE
NONE NONE
NONE NONE PPR
BRAKE: NONE NONE
NONE P/N NONE
NONE NONE
NONE FT-LB NONE V NONE Hz