

PRODUCT INFORMATION PACKET

Model No: 056C34F5301
Catalog No: D311
1/2,3450,TEFC,56C,1/60/115/208-230
Totally Enclosed Fan Cooled (TEFC)



Regal and Marathon are trademarks of Regal Beloit Corporation or one of its affiliated companies.
©2018 Regal Beloit Corporation, All Rights Reserved. MC017097E





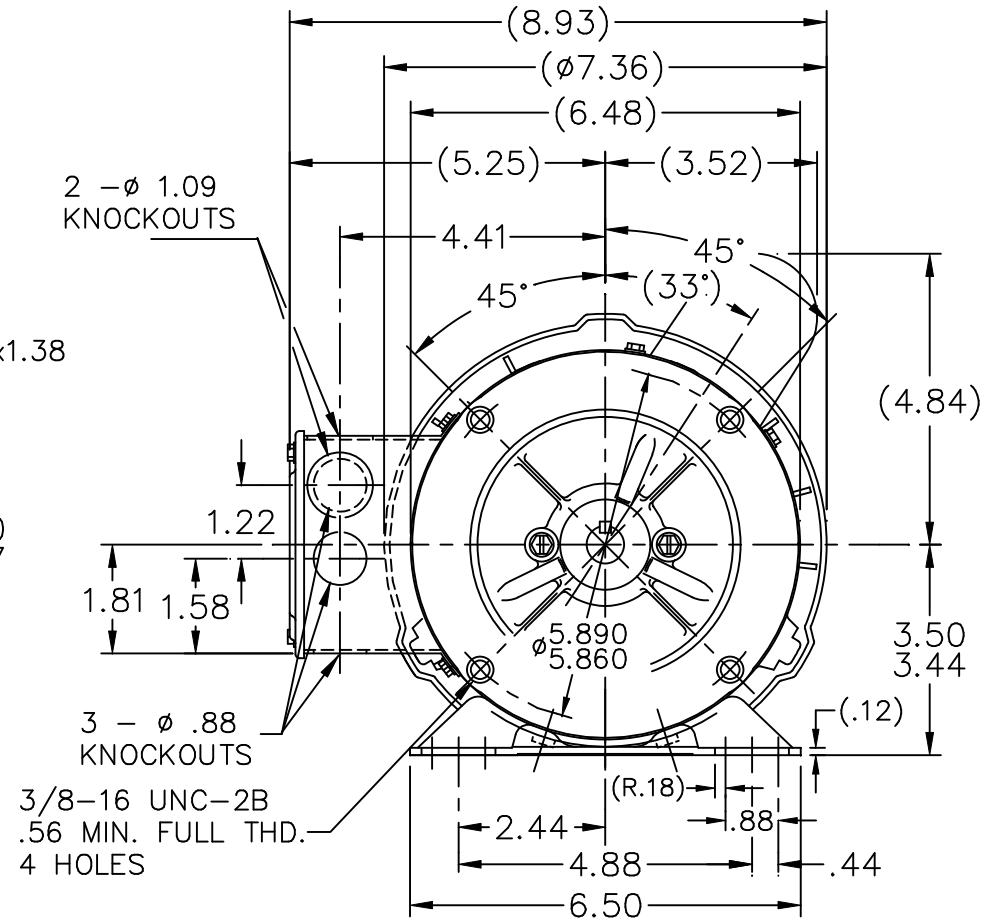
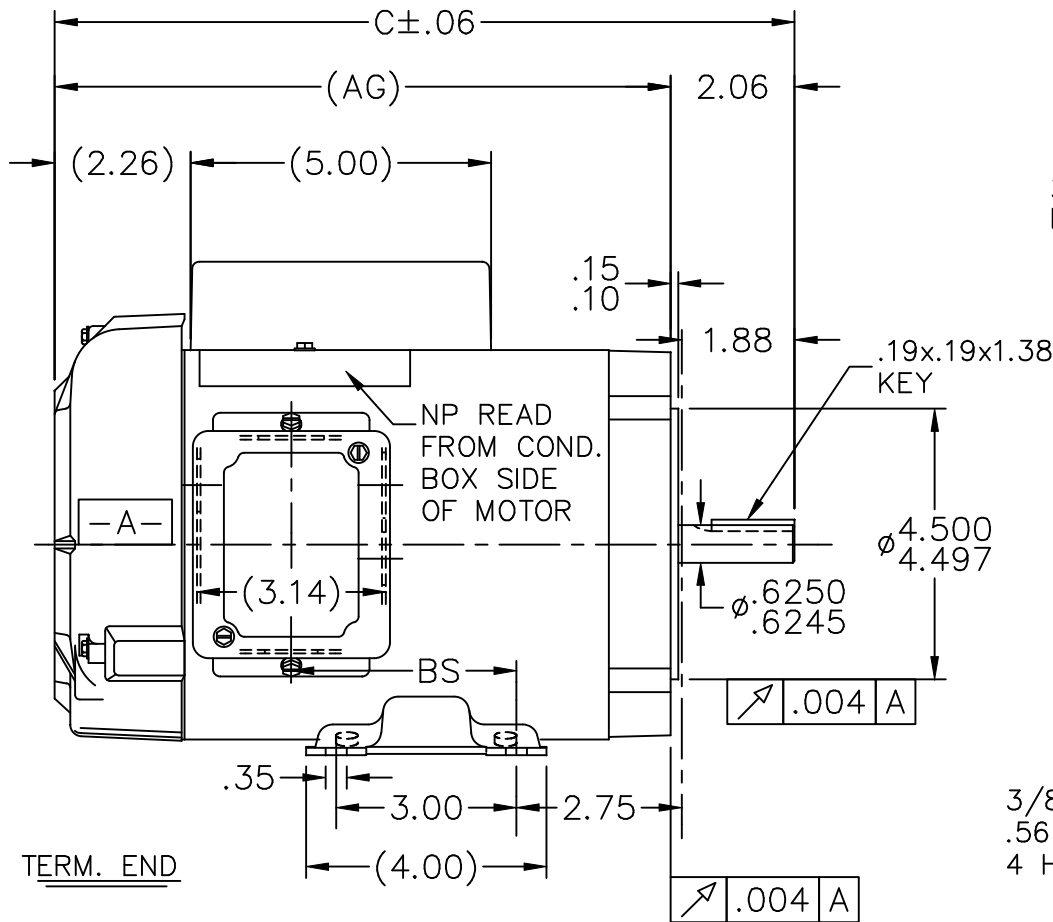
Nameplate Specifications

Output HP	0.50 Hp	Output KW	0.37 kW
Frequency	60 Hz	Voltage	115/208-230 V
Current	8.4/4.0-4.2 A	Speed	3450 rpm
Service Factor	1.15	Phase	1
Efficiency	59.5 %	Duty	Continuous
Insulation Class	B	Design Code	N
KVA Code	N	Frame	56C
Enclosure	Totally Enclosed Fan Cooled	Overload Protector	No
Ambient Temperature	40 °C	Drive End Bearing Size	6203
Opp Drive End Bearing Size	6203	UL	Recognized
CSA	Y	CE	Y
IP Code	43		

Technical Specifications

Electrical Type	Capacitor Start Induction Run	Starting Method	Across The Line
Poles	2	Rotation	Selective Counterclockwise
Mounting	Bolt-on Base	Motor Orientation	Horizontal
Drive End Bearing	Ball	Opp Drive End Bearing	Ball
Frame Material	Rolled Steel	Shaft Type	NEMA 56
Overall Length	11.81 in	Frame Length	6.56 in
Shaft Diameter	0.625 in	Shaft Extension	2.06 in
Assembly/Box Mounting	F1 Only		
Outline Drawing	A-100143-656	Connection Diagram	102005-51

This is an uncontrolled document once printed or downloaded and is subject to change without notice. Date Created: 07/02/2018



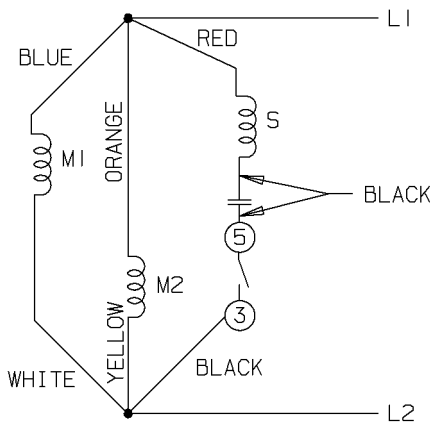
TERM. END

DASH	FRAME	C	AG	BS
656	56-65	11.81	9.75	3.25
706	"-70	12.31	10.25	4.25
756	"-75	12.81	10.75	3.75

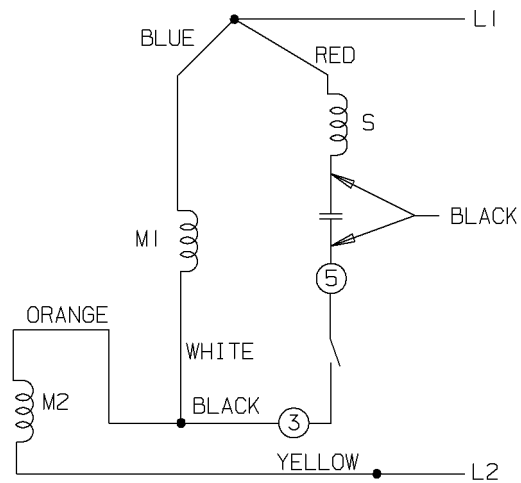
NOTES: CONDUIT BOX CAN BE ROTATED 180°
REMOVABLE BASE

				TOLERANCES UNLESS SPECIFIED		MARATHON ELECTRIC	DRAWN BLR 05-28-1997					
				DEC.	INCHES		CHK	ML	06-03-1997			
				.X	±.1	TITLE OUTLINE 56 FR. - BB - TEFC - 1φ - 'C' FACE	APPD GK 06-03-1997					
				.XX	±.03		SCALE 5=16					
4	CORRECTED OVERALL DIMENSIONS	CN 32669	TAT 04-16-2004	ML	.XXX		±.005	REF				
3	REDRAWN ON CADD		BLR 06-03-1997		.XXXX		±.0005	FMF				
NO.	REVISION	BY & DATE	CHK	ANG	±7'30"		PREV					
THIS DRAWING IN DESIGN AND DETAIL IS OUR PROPERTY AND MUST NOT BE USED EXCEPT IN CONNECTION WITH OUR WORK ALL RIGHTS OF DESIGN AND INVENTION ARE RESERVED THIS IS AN ELECTRONICALLY GENERATED DOCUMENT - DO NOT SCALE THIS PRINT				RFP	CAD FILE 100143			SIZE	DRAWING NO.	PAGE	OF	REV.
				DIST	WP			A	100143			4

LOW VOLTAGE - C.C.W.

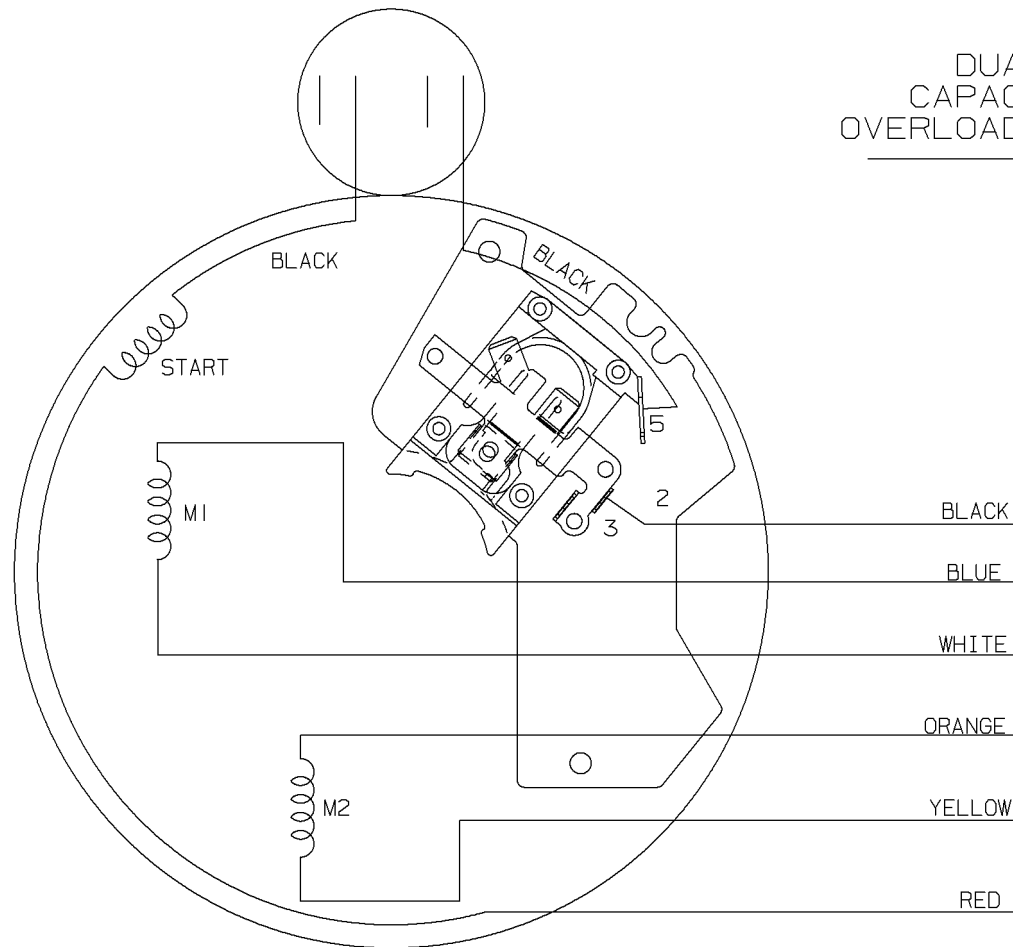


HIGH VOLTAGE - C.C.W.

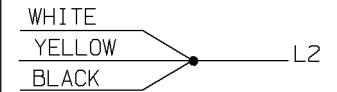
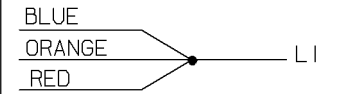


A-102005-51

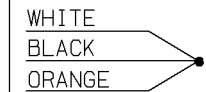
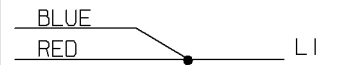
DUAL VOLTAGE
CAPACITOR START NO
OVERLOAD SELECT ROTATION



LOW VOLT. - C.C.W. ROT.



HIGH VOLT. - C.C.W. ROT.



FOR C.W. ROTATION EITHER
VOLTAGE INTERCHANGE
RED WITH BLACK LEAD

				✓ MAX. SURFACE ROUGHNESS UNLESS NOTED OTHERWISE	UNLESS OTHERWISE SPECIFIED DIMENSIONS ARE IN INCHES TOL. ON XX± XXX±.005 XXXX±.0005 ANGLES±		
				MATL SPEC			DRAWN BY CAV 06-18-1999
				FINISH	MARATHON ELECTRIC		CHKD BY ML 06-18-1999
5	06-17-1999	REDRAWN	CAV	REFERENCE DRW.	WAUSAU, WISCONSIN 54401		APPD BY GK 06-18-1999
REV	DATE	CHANGE	NAME	PART NAME CONNECTION DIAGRAM			DRWG NO A-102005-51

SHOP BOOK

PURCHASED

DISTRIBUTION - WA - LB - WP - LM - BR

CADD FILE NO.

102005-51

```
ERROR: syntaxerror  
OFFENDING COMMAND: --nostringval--
```

```
STACK:
```

```
/p2e  
-savelevel-
```

