

PRODUCT INFORMATION PACKET

Model No: 056C34F5303
Catalog No: D313
1,3450,TEFC,56C,1/60/115/208-230
Totally Enclosed Fan Cooled (TEFC)



Regal and Marathon are trademarks of Regal Beloit Corporation or one of its affiliated companies.
©2018 Regal Beloit Corporation, All Rights Reserved. MC017097E





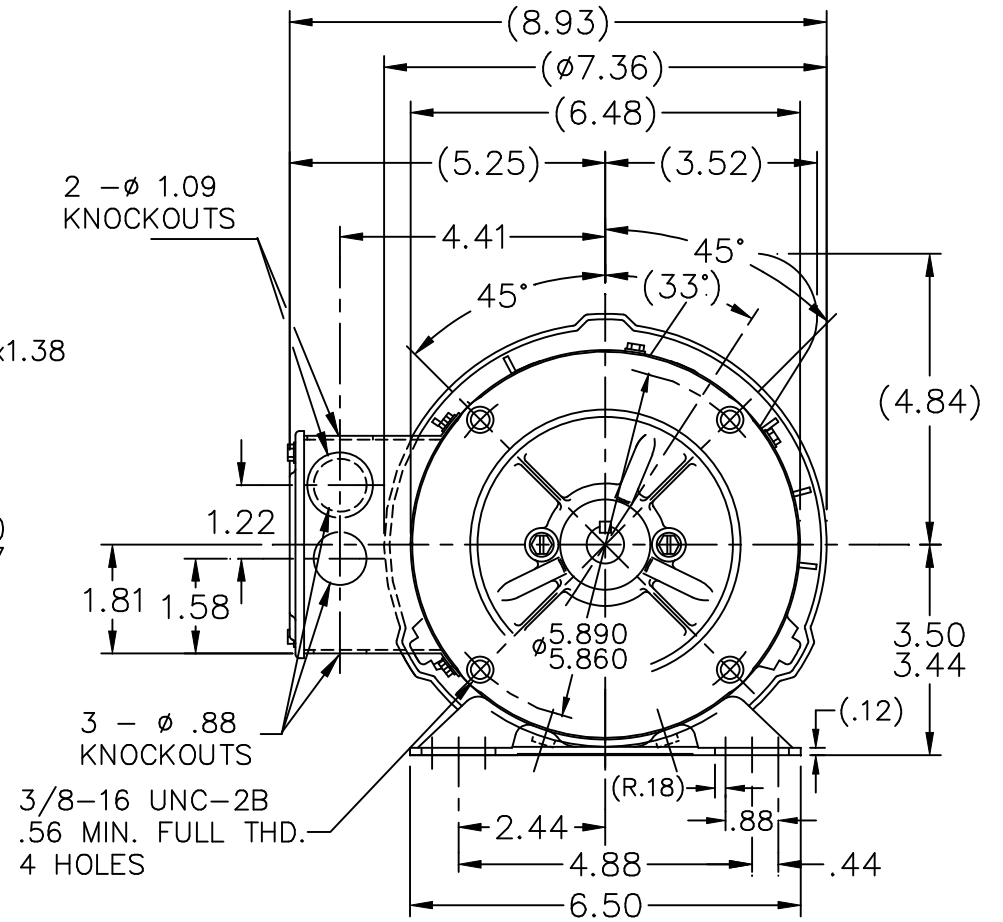
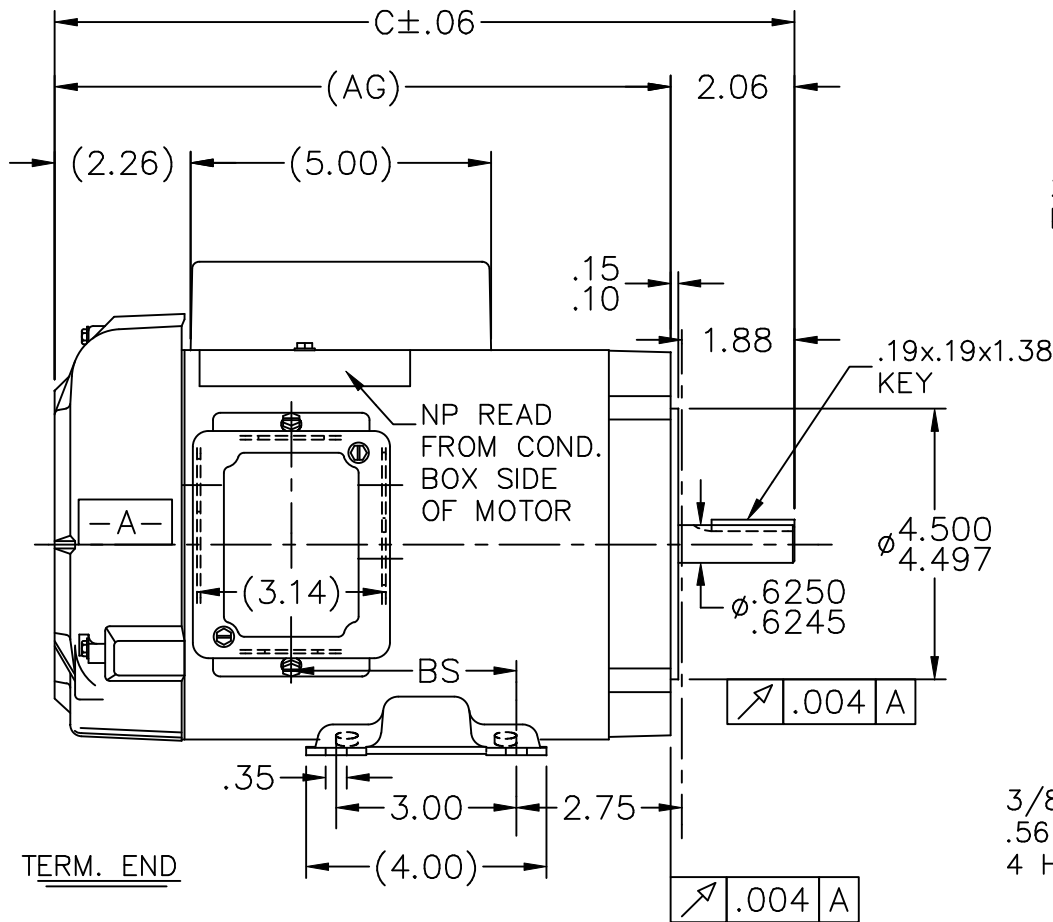
Nameplate Specifications

Output HP	1 Hp	Output KW	0.75 kW
Frequency	60 Hz	Voltage	115/208-230 V
Current	11.2/5.7-5.6 A	Speed	3450 rpm
Service Factor	1.15	Phase	1
Efficiency	78.5 %	Duty	Continuous
Insulation Class	B	Design Code	N
KVA Code	L	Frame	56C
Enclosure	Totally Enclosed Fan Cooled	Overload Protector	No
Ambient Temperature	40 °C	Drive End Bearing Size	6203
Opp Drive End Bearing Size	6203	UL	Recognized
CSA	Y	CE	Y
IP Code	43		

Technical Specifications

Electrical Type	Capacitor Start Induction Run	Starting Method	Across The Line
Poles	2	Rotation	Selective Counterclockwise
Mounting	Bolt-on Base	Motor Orientation	Horizontal
Drive End Bearing	Ball	Opp Drive End Bearing	Ball
Frame Material	Rolled Steel	Shaft Type	T
Overall Length	12.31 in	Frame Length	7.06 in
Shaft Diameter	0.625 in	Shaft Extension	2.06 in
Assembly/Box Mounting	F1 Only		
Outline Drawing	A-100143-706	Connection Diagram	102005-51

This is an uncontrolled document once printed or downloaded and is subject to change without notice. Date Created: 06/29/2018



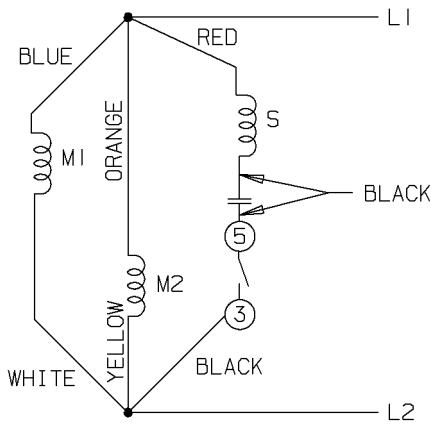
TERM. END

DASH	FRAME	C	AG	BS
656	56-65	11.81	9.75	3.25
706	"-70	12.31	10.25	4.25
756	"-75	12.81	10.75	3.75

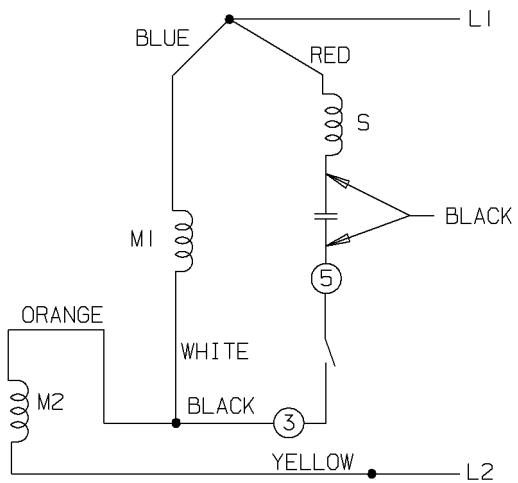
NOTES: CONDUIT BOX CAN BE ROTATED 180°
REMOVABLE BASE

				TOLERANCES UNLESS SPECIFIED		MARATHON ELECTRIC	DRAWN BLR 05-28-1997					
				DEC.	INCHES		CHK	ML	06-03-1997			
				.X	±.1	TITLE OUTLINE 56 FR. - BB - TEFC - 1ø - 'C' FACE MAT'L. FINISH	APPD GK 06-03-1997					
				.XX	±.03		SCALE 5=16					
4	CORRECTED OVERALL DIMENSIONS	CN 32669	TAT 04-16-2004	ML	.XXX		±.005	REF				
3	REDRAWN ON CADD		BLR 06-03-1997		.XXXX		±.0005	FMF				
NO.	REVISION	BY & DATE	CHK	ANG	±7'30"		PREV					
THIS DRAWING IN DESIGN AND DETAIL IS OUR PROPERTY AND MUST NOT BE USED EXCEPT IN CONNECTION WITH OUR WORK ALL RIGHTS OF DESIGN AND INVENTION ARE RESERVED THIS IS AN ELECTRONICALLY GENERATED DOCUMENT - DO NOT SCALE THIS PRINT				RFP	CAD FILE 100143			SIZE	DRAWING NO.	PAGE	OF	REV.
				DIST	WP			A	100143			4

LOW VOLTAGE - C.C.W.

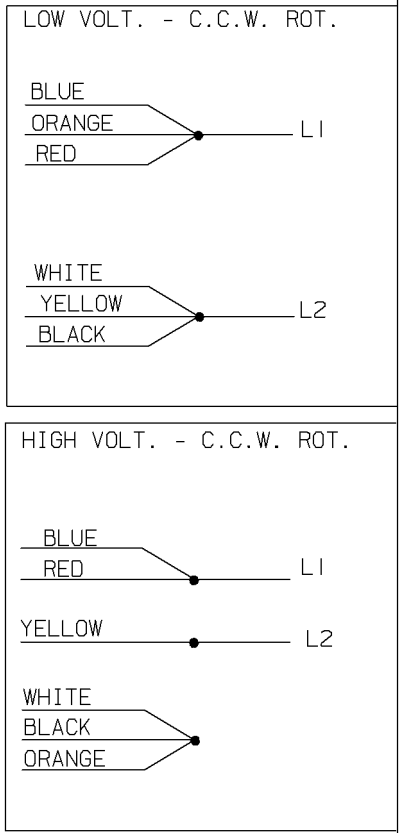
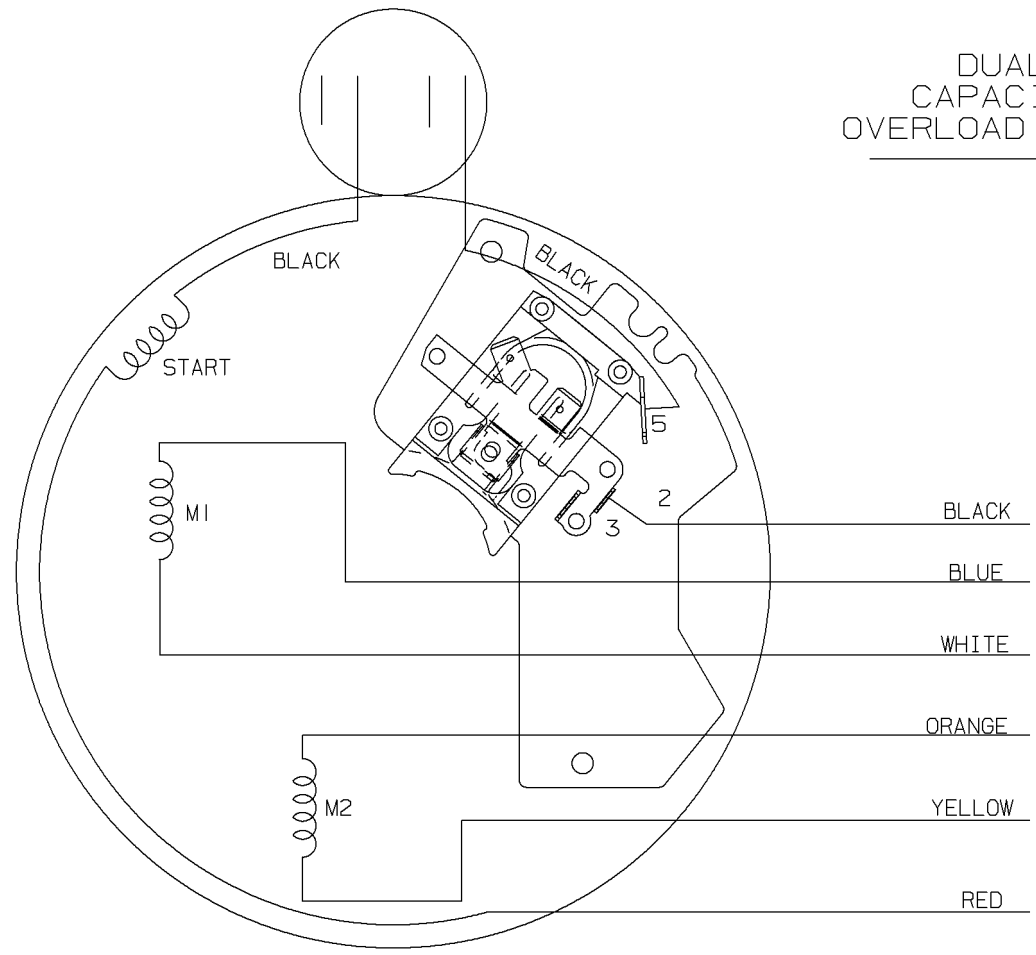


HIGH VOLTAGE - C.C.W.



A-102005-51

DUAL VOLTAGE
CAPACITOR START NO
OVERLOAD SELECT ROTATION



FOR C.W. ROTATION EITHER
VOLTAGE INTERCHANGE
RED WITH BLACK LEAD

				✓ MAX. SURFACE ROUGHNESS UNLESS NOTED OTHERWISE	UNLESS OTHERWISE SPECIFIED DIMENSIONS ARE IN INCHES TOL. ON XX± XXX±.005 XXXX±.0005 ANGLES±			
				MATL SPEC				DRAWN BY CAV 06-18-1999
				FINISH				CHKD BY ML 06-18-1999
5	06-17-1999	REDRAWN		CAV	WAUSAU, WISCONSIN 54401			APPD BY GK 06-18-1999
REV	DATE	CHANGE		NAME	PART NAME CONNECTION DIAGRAM			DRWG NO A-102005-51

SHOP BOOK

PURCHASED

DISTRIBUTION - WA - LB - WP - LM - BR

CADD FILE NO.

102005-51

```
ERROR: syntaxerror  
OFFENDING COMMAND: --nostringval--
```

```
STACK:
```

```
/p2e  
-savelevel-
```

CERTIFICATION DATA SHEET

Model#: 56C34F5303 J WINDING#: ZC214 NONE 3
 CONN. DIAGRAM: 102005-51 ASSEMBLY: F1 ONLY
 OUTLINE: A-100143-706

TYPICAL MOTOR PERFORMANCE DATA

HP	KW	SYNC. RPM	F.L. RPM	FRAME	ENCLOSURE	KVA CODE	DESIGN
1	.75	3600	3450	56C	TEFC	L	N

PH	Hz	VOLTS	FL AMPS	START TYPE	DUTY	INSL	S.F	AMB°C	ELEVATION
1	60	115/208-230	11.2/5.7-5.6	ACROSS THE LINE	CONTINUOUS	B3	1.15	40	3300

FULL LOAD EFF: 78.5	3/4 LOAD EFF: 77.1	1/2 LOAD EFF: 73.6	GTD. EFF	ELEC. TYPE	NO LOAD AMPS
FULL LOAD PF: 76	3/4 LOAD PF: 69	1/2 LOAD PF: 57.8	0	CAP START IND RUN	6.2 / 3.1

F.L. TORQUE	LOCKED ROTOR AMPS	L.R. TORQUE	B.D. TORQUE	F.L. RISE°C
23.8 LB-FT	81.8 / 40.9	79.2 LB-FT -	67.5 LB-FT -	50

SOUND PRESSURE @ 3 FT.	SOUND POWER	ROTOR WK^2	MAX. WK^2	SAFE STALL TIME	STARTS / HOUR	APPROX. MOTOR WGT
- dBA	- dBA	0 LB-FT^2	- LB-FT^2	- SEC.	-	0 LBS.

*** SUPPLEMENTAL INFORMATION ***

DE BRACKET TYPE	ODE BRACKET TYPE	MOUNT TYPE	ORIENTATION	SEVERE DUTY	HAZARDOUS LOCATION	DRIP COVER	SCREENS	PAINT
C-FACE	BRAKE	BOLT-ON	HORIZONTAL	FALSE	NONE	FALSE	NONE	GRAY (POWDER)

BEARINGS		GREASE	SHAFT TYPE	SPECIAL DE	SPECIAL ODE	SHAFT MATERIAL	FRAME MATERIAL
DE	OPE						
BALL	BALL	POLYREX EM	T	NONE	NONE	1144 STRESSPROOF (C-223)	ROLLED STEEL
6203	6203						

THERMO-PROTECTORS				THERMISTORS	CONTROL	SPACE /n HEATERS
THERMOSTATS	PROTECTORS	WDG RTDs	BRG RTDs			
NONE	NOT	NONE	NONE	NONE	FALSE	NONE VOLTS

If Inverter equals NONE, contact factory for further information

*
N
O
T
E
S
*

INVERTER TORQUE: NONE
INV. HP SPEED RANGE: NONE
ENCODER: NONE
NONE NONE
NONE NONE PPR
BRAKE: PROVISIONS FOR KIT NONE
NONE P/N NONE
NONE NONE
NONE FT-LB NONE V NONE Hz

DATE: 06/27/2017 07:49:13 AM
 FORM 3531 REV.3 02/07/99
 ** Subject to change without notice.