

PRODUCT INFORMATION PACKET

Model No: 056C64DRS40002A1
Catalog No: C419A
1/2-1/6,1725/1140,DP,56,1/60/115
Fan and Blower



Regal and Marathon are trademarks of Regal Beloit Corporation or one of its affiliated companies.
©2018 Regal Beloit Corporation, All Rights Reserved. MC017097E



Product Information Packet: Model No: 056C64DRS40002A1, Catalog No:C419A 1/2-1/6,1725/1140,DP,56,1/60/115

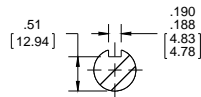
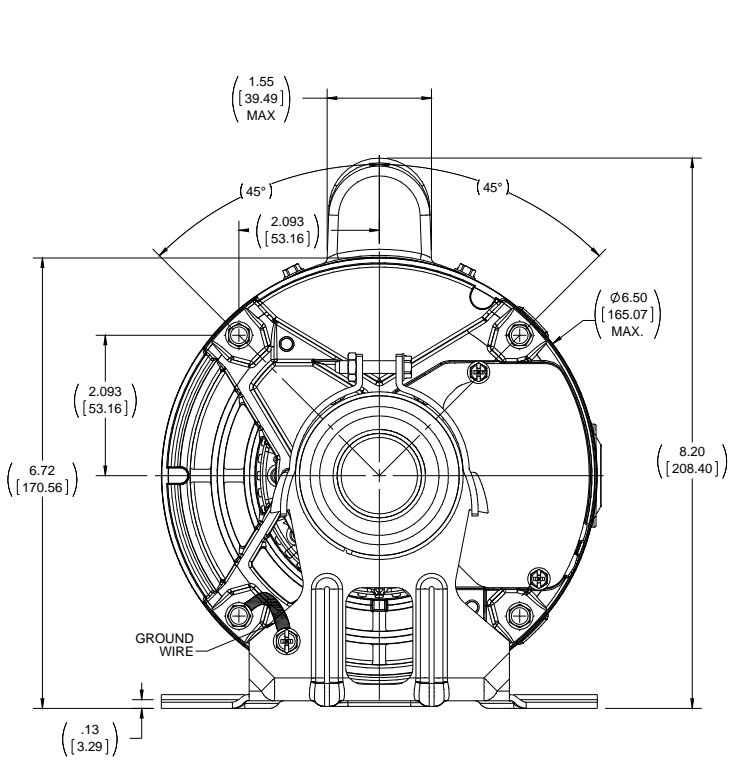
Nameplate Specifications

Output HP	0.50,0.33 Hp	Output KW	0.37 kW
Frequency	60 Hz	Voltage	115 V
Current	7.7,4.7 A	Speed	1725,1140 rpm
Service Factor	1.25	Phase	1
Efficiency	64 %	Duty	Continuous
Insulation Class	B	Design Code	2VT
KVA Code	L	Frame	56
Enclosure	Drip Proof	Overload Protector	Automatic
Ambient Temperature	40 °C	Drive End Bearing Size	6203
Opp Drive End Bearing Size	6203	UL	Recognized
CSA	Y	CE	Y
IP Code	22		

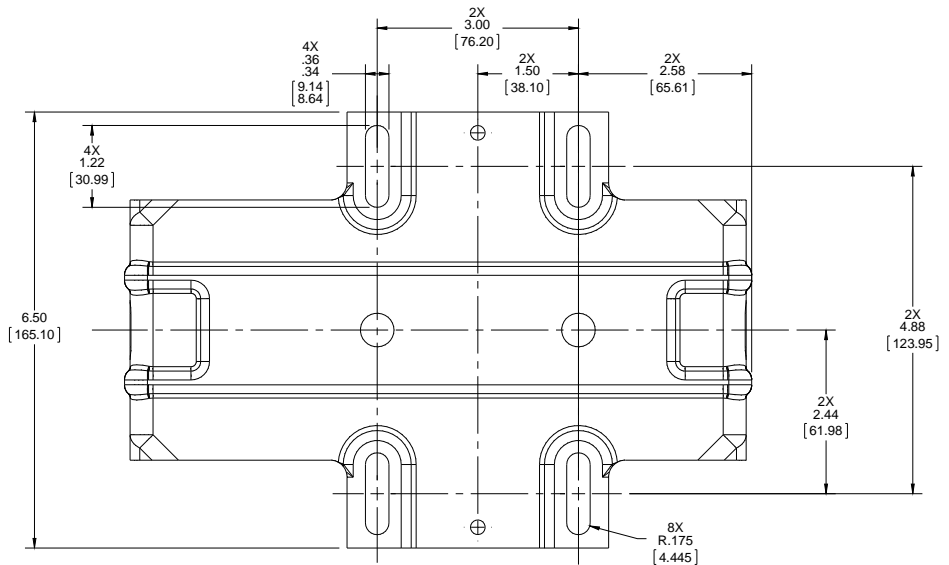
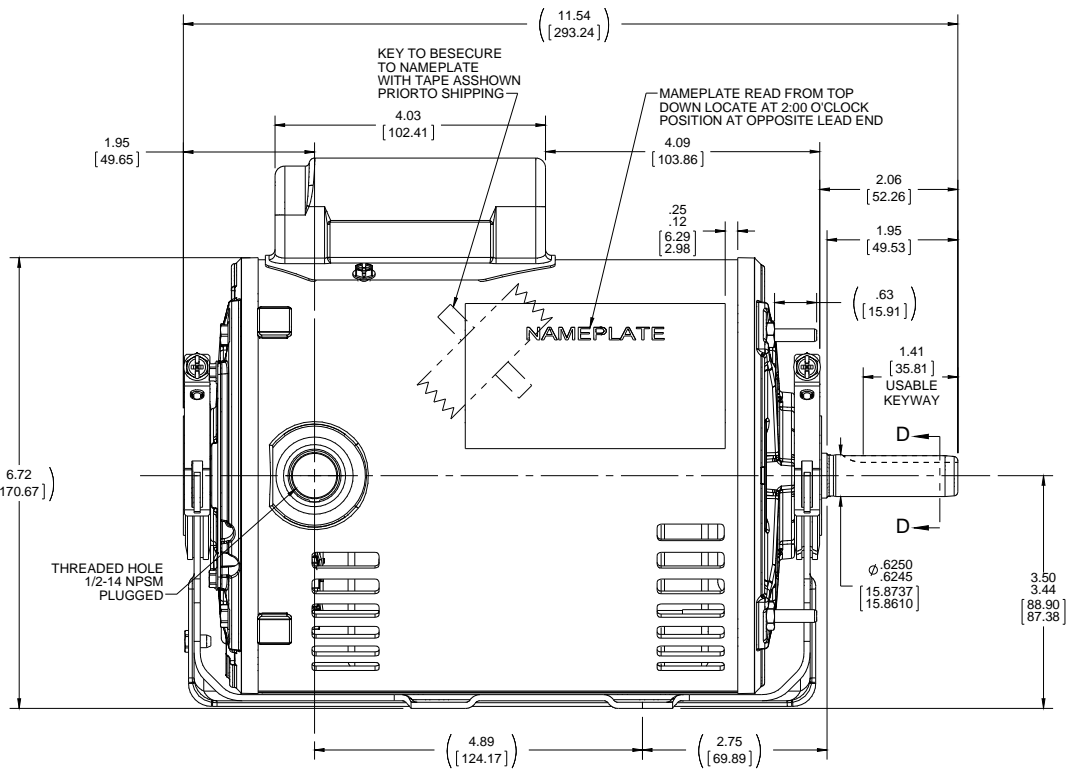
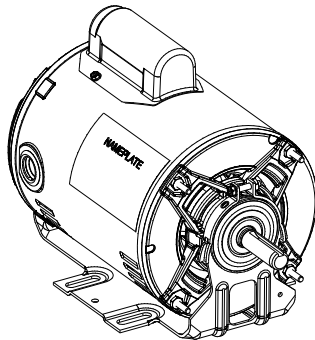
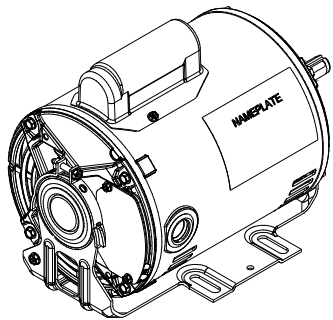
Technical Specifications

Electrical Type	Capacitor Start Induction Run	Starting Method	Across The Line
Poles	4//6	Rotation	Selective Counterclockwise
Mounting	Resilient Base	Motor Orientation	HORIZONTAL
Drive End Bearing	BALL	Opp Drive End Bearing	BALL
Frame Material	Rolled Steel	Shaft Type	NEMA 56
Overall Length	11.54 in	Frame Length	7.15 in
Shaft Diameter	0.625 in	Shaft Extension	2.06 in
Assembly/Box Mounting	F1 ONLY		
Outline Drawing	OL56100128-001	Connection Diagram	CDCM101

This is an uncontrolled document once printed or downloaded and is subject to change without notice. Date Created: 10/31/2018

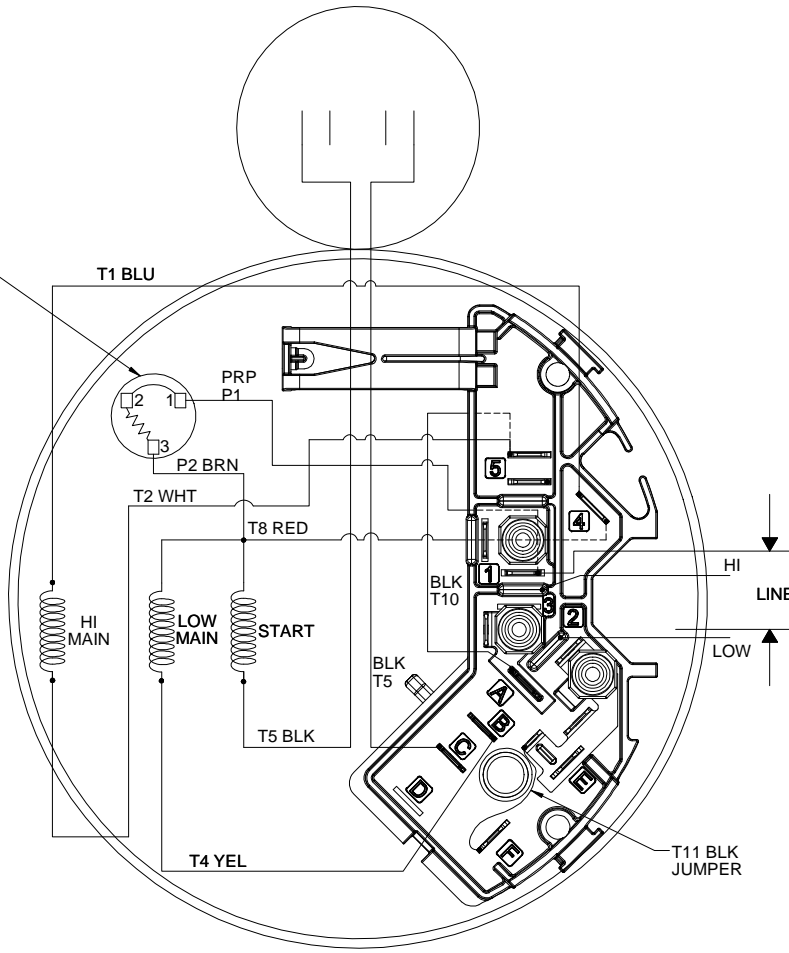


SECTION D-D



DRAWING REVISION A	REVISION BY R.ZAMARRON	DATE 06-24-2016	TOLERANCES UNLESS OTHERWISE SPECIFIED: DEC. INCH mm ANGLE	DRAWN BY R.ZAMARRON	
ECO ECO-0104437	APPROVED BY J.ORTEGA	DATE 06-24-2016	.X ±0.1 [±2.5] .XX ±0.02 [±0.51] .XXX ±0.005 [±0.127] .XXXX ±0.0005 [±0.0127] REMOVE BURRS & BREAK SHARP EDGES: .0031 015 [0.076 391] CORNER FILLETS: .02 [51] MACHINED SURFACES: 200 INCH 5-V mm	DATE 06-24-2016	
NEW MODEL RELEASE			mm SHOWN IN [BRACKETS]	DATE 06-24-2016	MATERIAL
COPYRIGHT REGAL BELOIT AMERICA, INC. ALL RIGHTS RESERVED. PROPRIETARY AND CONFIDENTIAL INFORMATION. THIS DOCUMENT IS THE PROPERTY OF REGAL BELOIT AMERICA, INC. (OWNER) AND CONTAINS OWNER'S PROPRIETARY INFORMATION. ANY PERSON, CORPORATION OR OTHER FIRM RECEIVING IT IS DEEMED, BY RECEIVING IT, TO AGREE THAT IT, AND/OR ANY PART OF IT, SHALL NOT BE DISCLOSED TO ANY PERSON, CORPORATION OR OTHER ENTITY, DUPLICATED, AND/OR USED, EXCEPT AS EXPRESSLY APPROVED IN WRITING IN ADVANCE BY OWNER. THIS DOCUMENT SHALL BE RETURNED TO OWNER UPON REQUEST. IT MAY BE SUBJECT TO CERTAIN RESTRICTIONS UNDER APPLICABLE EXPORT CONTROL LAWS AND REGULATIONS.			REFERENCE	THIRD ANGLE PROJECTION	PROCESS/FINISH
			SIZE C	DRAWING NUMBER OL56100128-001	SHEET 1 OF 1

THERMAL PROTECTOR (3 TERM.)



CCW ROTATION-CAP START IND RUN-DUAL SPEED WITH THERMAL PROTECTOR.

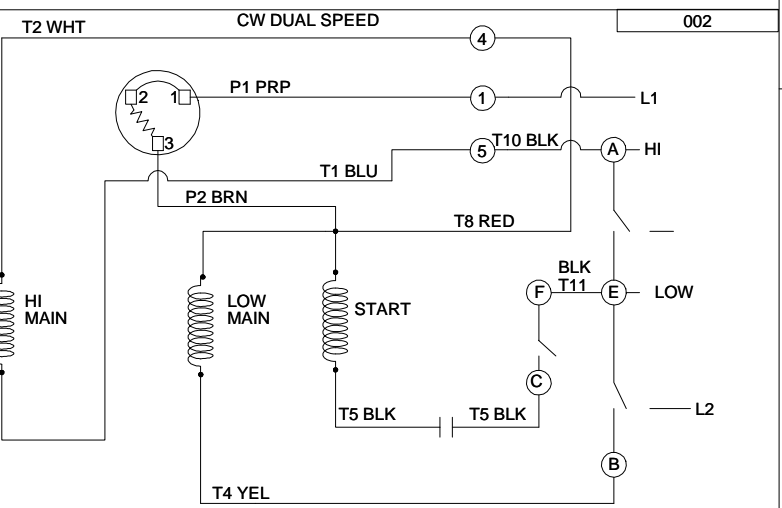
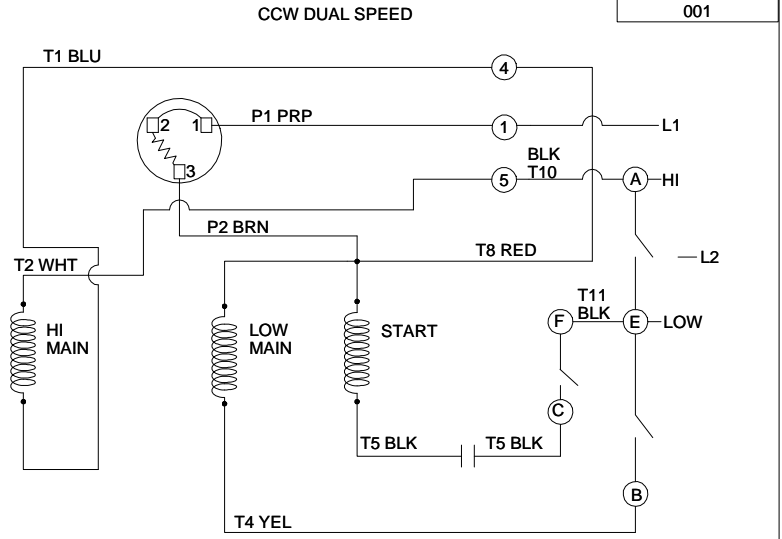
- NOTE:
1. TO REVERSE ROTATION, INTERCHANGE (T1) BLUE AND (T2) WHITE LEADS.
 2. SWITCH REFERENCE 10003284-001-001.
 3. CONNECTION DIAGRAM-NAMEPLATE DD10045,001-T NO'S & 002-COLORS WITH T NO'S.
 4. FOLLOW BOM FOR LEAD MARKING AND COLORS.

DRAWING REVISION C	REVISION BY MVG	DATE 11/02/2017
ECO-0134046	APPROVED BY CD	DATE 11/02/2017
ECO DESCRIPTION ADDED LEAD COLORS		
<small>COPYRIGHT REGAL BELOIT AMERICA, INC. ALL RIGHTS RESERVED. PROPRIETARY AND CONFIDENTIAL INFORMATION - THIS DOCUMENT IS THE PROPERTY OF REGAL BELOIT AMERICA, INC. ("OWNER") AND CONTAINS OWNER'S PROPRIETARY INFORMATION. ANY PERSON, CORPORATION OR OTHER FIRM RECEIVING IT IS DEEMED, BY RECEIVING IT, TO AGREE THAT IT, AND/OR ANY PART OF IT, SHALL NOT BE DISCLOSED TO ANY PERSON, CORPORATION OR OTHER ENTITY, DUPLICATED, AND/OR USED, EXCEPT AS EXPRESSLY APPROVED IN WRITING IN ADVANCE BY OWNER. THIS DOCUMENT SHALL BE RETURNED TO OWNER UPON REQUEST. IT MAY BE SUBJECT TO CERTAIN RESTRICTIONS UNDER APPLICABLE EXPORT CONTROL LAWS AND REGULATIONS.</small>		

TOLERANCES UNLESS OTHERWISE SPECIFIED:			
DEC.	INCH	mm	ANGLE
.X	±0.1	[±2.5]	±0.5°
.XX	±0.01	[±0.25]	
.XXX	±0.005	[±0.127]	
.XXXX	±0.0005	[±0.0127]	
REMOVE BURRS & BREAK SHARP			
EDGES: .003/.015 [0.076/.381]			
CORNER FILLETS: .02 [0.51]			
MACHINED SURFACES: 125/3.2			
mm SHOWN IN [BRACKETS]			

DRAWN BY G. RODRIGUEZ	DATE 06-07-2016
APPROVED BY R. VALENZUELA	DATE 06-07-2016
REFERENCE CDCD102	THIRD ANGLE PROJECTION

Regal Beloit America, Inc.	
DESCRIPTION CONN DIAGRAM-EXTERNAL	
MATERIAL	PROCESS/FINISH CONN DIAGRAM-INTERNAL
SIZE B	DRAWING NUMBER CDCM101
	SHEET 1 OF 1





**P.O. BOX 8003
WAUSAU, WI 54401-8003
PH. 715-675-3311**

CERTIFICATION DATA SHEET

CUSTOMER PO #:

CUSTOMER:

MODEL #: 56C64DRS40002A1 A

ORDER #: CDCM101

CUSTOMER PART #:

OUTLINE: OL56100128-001

MOUNTING: F1 ONLY

WINDING #: NCS6(4-6)1 1A

TYPICAL MOTOR PERFORMANCE DATA

HP	KW	SYNC. RPM	F.L. RPM	FRAME	ENCLOSURE	KVA CODE	DESIGN	
1/2&0.16	0.37&0.25	1200	1725&1140	56	DP	L	2VT	
PH	HZ	VOLTS	AMPS	START TYPE	DUTY	INSL	S.F.	AMB°C
1	60/60	115&115	7.7&4.7	ACROSS THE LINE	CONTINUOUS	B3	1.25/1.25	40

FULL LOAD EFF:	64	3/4 LOAD EFF:	37.5	1/2 LOAD EFF:	30	GTD. EFF		ELEC. TYPE
FULL LOAD PF:	66	3/4 LOAD PF:	48	1/2 LOAD PF:	41.5	0		CAP START IND RUN

F.L. TORQUE	LOCKED ROTOR AMPS	L.R. TORQUE	B.D. TORQUE	F.L. RISE°C		
12 OZ-FT	39.8	34.23 OZ-FT	285 %	30.74 OZ-FT	256 %	-

SOUND PRESSURE @ 3 FT.	SOUND POWER	ROTOR WK^2	MAX. WK^2	SAFE STALL TIME	STARTS / HOUR	APPROX. MOTOR WGT
0 DBA	10 DBA	0 LB-FT^2	0 LB-FT^2	0 SEC.	0	0 LBS.

***** SUPPLEMENTAL INFORMATION *****

DE BRACKET TYPE	ODE BRACKET TYPE	MOUNT TYPE	ORIENTATION	SEVERE DUTY	HAZARDOUS LOCATION	DRIP COVER	SCREENS	PAINT
STANDARD	STANDARD	RESILIENT BASE	HORIZONTAL	FALSE	NONE	FALSE	NONE	BLACK (POWDER)

BEARINGS		GREASE	SHAFT TYPE	SPECIAL DE	SPECIAL ODE	SHAFT MATERIAL	FRAME MATERIAL
DE ODE	BALL BALL	POLYREX EM	STANDARD 56	NONE	NONE	AISI 1215 (MS1000)	ROLLED STEEL
6203	6203						

THERMO-PROTECTORS				THERMISTORS			SPACE HEATERS	
THERMOSTATS	PROTECTORS	WDG RTDS	BRG RTDS					
NONE	AUTOMATIC	NONE	NONE	NONE	FALSE	NONE	NONE	VOLTS

INVERTER TORQUE: NONE
INV. HP SPEED RANGE: NONE

ENCODER: NONE
NONE NONE
NONE NONE PPR

BRAKE: NONE NONE
NONE P/N NONE
NONE NONE
NONE FT-LB NONE V NONE HZ

*

PREPARED BY: Bhargavi Dontham
DATE: 08/29/2018 04:07:37 AM
FORM 3531 REV.3 02/07/99
** Subject to change without notice.



**P.O. BOX 8003
WAUSAU, WI 54401-8003
PH. 715-675-3311**

CERTIFICATION DATA SHEET

CUSTOMER:

CUSTOMER

ORDER #: CDCM101
CONN. DIAGRAM: CDCM101

MODEL #: 56C64DRS40002A1 A
CUSTOMER PART #:

OUTLINE: OL56100128-001
WINDING #: NCS6(4-6)1 1A

MOUNTING: F1 ONLY

TYPICAL MOTOR PERFORMANCE DATA

HP	KW	SYNC. RPM	F.L. RPM	FRAME	ENCLOSURE	KVA CODE	DESIGN	
1/2&0.16	0.37&0.25	1800	1725&1140	56	DP	L	2VT	
PH	Hz	VOLTS	AMPS	START TYPE	DUTY	INSL	S.F.	AMB°C
1	60/60	115&115	7.7&4.7	ACROSS THE LINE	CONTINUOUS	B3	1.25/1.25	40

FULL LOAD EFF:	64	3/4 LOAD EFF:	61	1/2 LOAD EFF:	54	GTD. EFF		ELEC. TYPE
FULL LOAD PF:	66	3/4 LOAD PF:	58	1/2 LOAD PF:	47	59.5		CAP START IND RUN
F.L. TORQUE	LOCKED ROTOR AMPS	L.R. TORQUE		B.D. TORQUE	F.L. RISE°C			
24 OZ-FT	40.6	37.12 OZ-FT	155 %	62.3 OZ-FT	260 %			

SOUND PRESSURE @ 3 FT.	SOUND POWER	ROTOR WK^2	MAX. WK^2	SAFE STALL TIME	STARTS / HOUR	APPROX. MOTOR WGT
0 DBA	10 DBA	0 LB-FT^2	0 LB-FT^2	0 SEC.	0	0 LBS.

***** SUPPLEMENTAL INFORMATION *****

DE BRACKET TYPE	ODE BRACKET TYPE	MOUNT TYPE	ORIENTATION	SEVERE DUTY	HAZARDOUS LOCATION	DRIP COVER	SCREENS	PAINT
STANDARD	STANDARD	RESILIENT BASE	HORIZONTAL	FALSE	NONE	FALSE	NONE	BLACK (POWDER)

BEARINGS		GREASE	SHAFT TYPE	SPECIAL DE	SPECIAL ODE	SHAFT MATERIAL	FRAME MATERIAL
DE ODE	BALL BALL	POLYREX EM	STANDARD 56	NONE	NONE	AISI 1215 (MS1000)	ROLLED STEEL
6203	6203						

THERMO-PROTECTORS				THERMISTORS			SPACE HEATERS	
THERMOSTATS	PROTECTORS	WDG RTDS	BRG RTDS					
NONE	AUTOMATIC	NONE	NONE	NONE	FALSE	NONE	NONE	VOLTS

* INVERTER TORQUE:	NONE
INV. HP SPEED RANGE:	NONE
N ENCODER:	NONE
O	NONE
T	NONE
E	PPR
S	PPR
* BRAKE:	NONE
	NONE
	P/N NONE
	NONE
	NONE
	FT-LB NONE
	V NONE
	Hz

PREPARED BY: Bhargavi Dontham
DATE: 08/29/2018 04:07:37 AM
FORM 3531 REV.3 02/07/99
**** Subject to change without notice.**

MARATHON ELECTRIC CORPORATION

TYPICAL PERFORMANCE CURVE for AC MOTOR

Customer WW Grainger

Curve at 115

Volts

HP 0.5&0.16

PHASE 1

Model No 56C64DRS40002A1

60

HZ

VOLTS 115&115

0.5

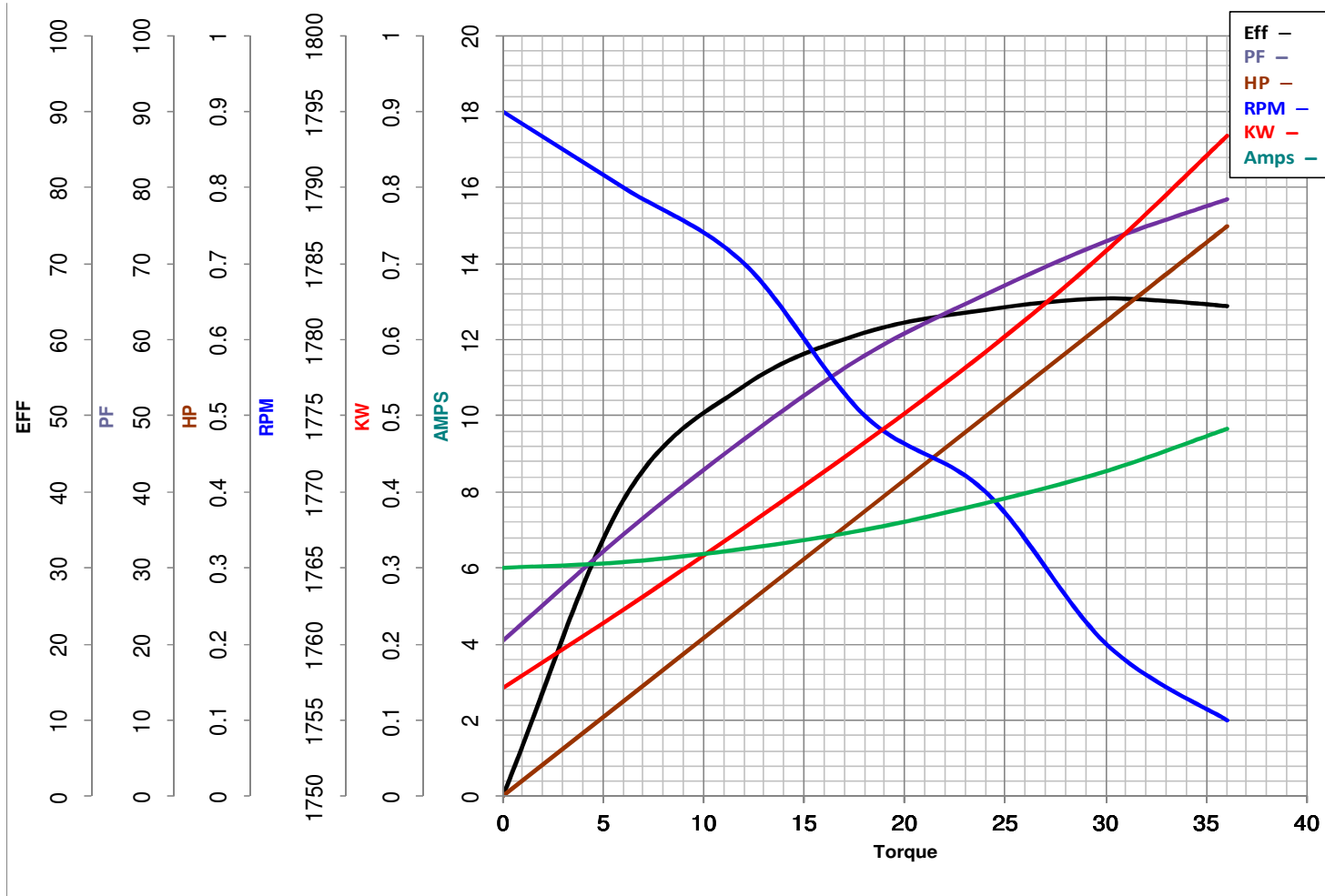
HP

Catalog No C419A

HIGH SPEED

HZ 60&60

RPM 1725&1140



Torque in Oz.Ft

FL TORQUE 24 Oz.Ft

BD TORQUE 62.3 Oz.Ft

LR TORQUE 37.12 Oz.Ft

FL AMPS 7.7

PU TORQUE 27.1 Oz.Ft

LR AMPS 40.6

WINDING NC56(4-6)1-1

Prepared By BHARGAVI

Date 8/27/2018

MARATHON ELECTRIC CORPORATION

TYPICAL PERFORMANCE CURVE for AC MOTOR

Customer WW Grainger

Curve at 115

Volts

HP 0.5&0.16

PHASE 1

Model No 56C64DRS40002A1

60

HZ

VOLTS 115&115

0.16

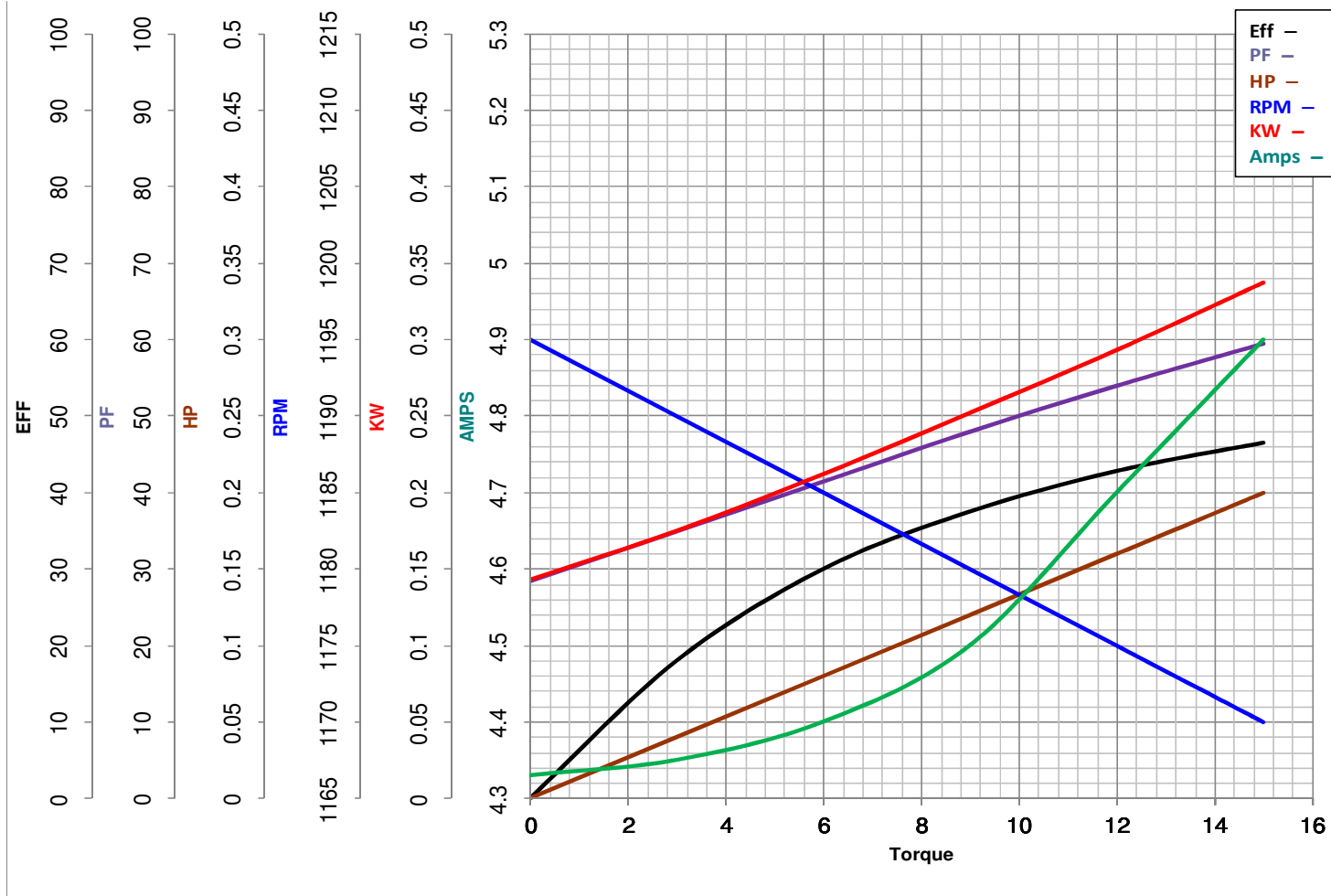
HP

Catalog No C419A

LOW SPEED

HZ 60&60

RPM 1725&1140



Torque in Oz.Ft

FL TORQUE 12 Oz.Ft

BD TORQUE 30.7 Oz.Ft

LR TORQUE 34.23 Oz.Ft

FL AMPS 7.7

PU TORQUE 23.9 Oz.Ft

LR AMPS 39.8

WINDING NC56(4-6)1-1

Prepared By

BHARGAVI

Date

8/27/2018