

PRODUCT INFORMATION PACKET

Model No: 056PNRA10100
Catalog No: SY001
0.5,1800,TENV,S56C,3/230/460,PMAC
SyMAX - Permanent Magnet AC Motors



Regal and Marathon are trademarks of Regal Beloit Corporation or one of its affiliated companies.
©2018 Regal Beloit Corporation, All Rights Reserved. MC017097E

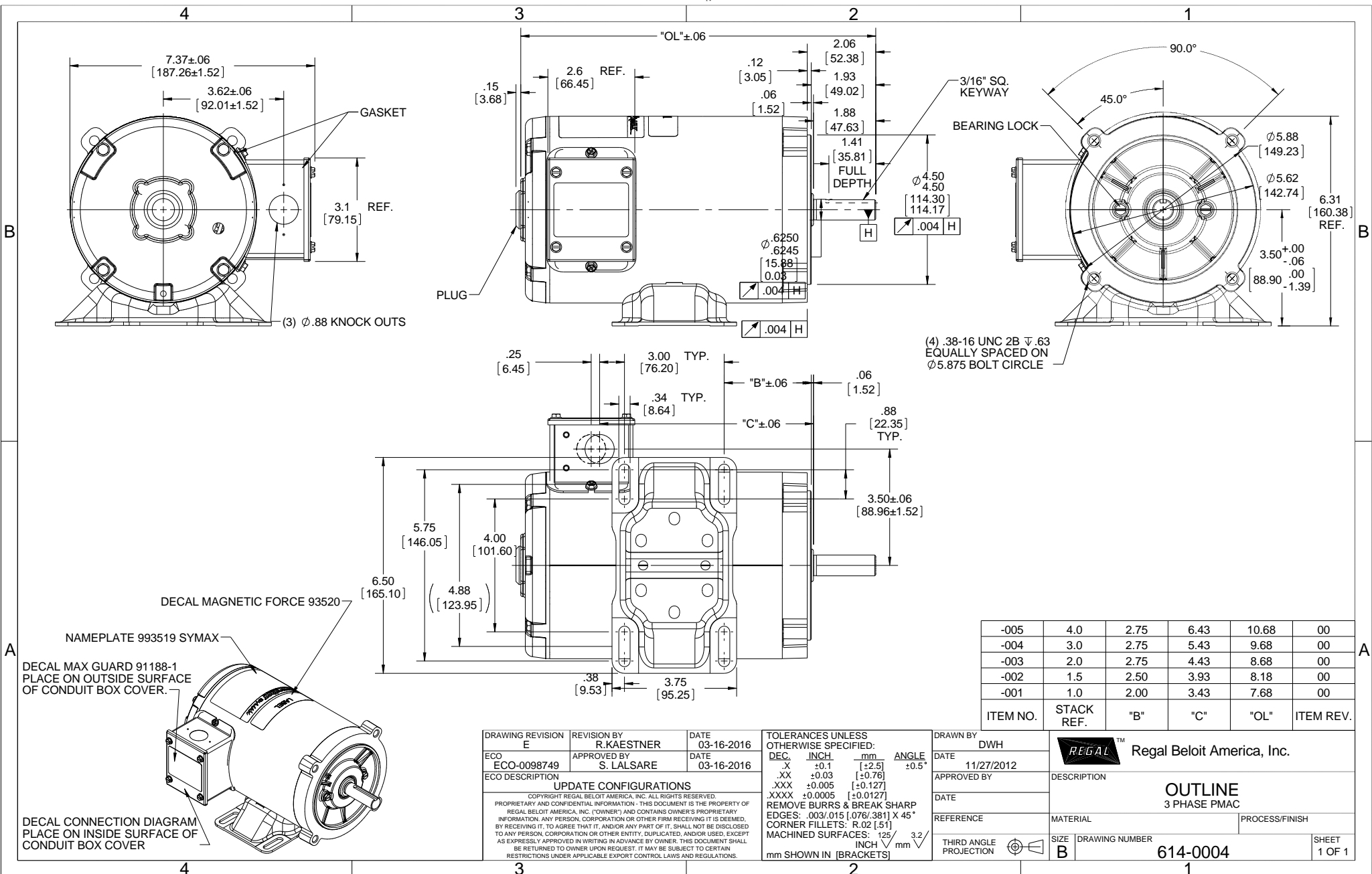
Nameplate Specifications

Output HP	0.50 Hp	Output KW	0.37 kW
Frequency	90 Hz	Voltage	230/460 V
Current	1.9/0.80 A	Speed	1800 rpm
Service Factor	1	Phase	3
Efficiency	82.2 %	Duty	Continuous
Insulation Class	F	Design Code	PM
KVA Code	NO KVA CODE	Frame	S56Z
Enclosure	Totally Enclosed Non Ventilated	Overload Protector	No
Ambient Temperature	40 °C	Drive End Bearing Size	6203
Opp Drive End Bearing Size	6203	UL	Recognized
CSA	Y	CE	Y
IP Code	43		

Technical Specifications

Electrical Type	AC Permanent Magnet	Starting Method	Inverter Only
Poles	6	Rotation	Reversible
Mounting	Rigid base	Motor Orientation	Horizontal
Drive End Bearing	Ball	Opp Drive End Bearing	Ball
Frame Material	Rolled Steel	Shaft Type	Single Special Extension
Overall Length	7.68 in	Shaft Diameter	0.625 in
Shaft Extension	2.06 in	Assembly/Box Mounting	F1 Only
Outline Drawing	614-0004-001	Connection Diagram	EE7308

This is an uncontrolled document once printed or downloaded and is subject to change without notice. Date Created: 06/29/2018

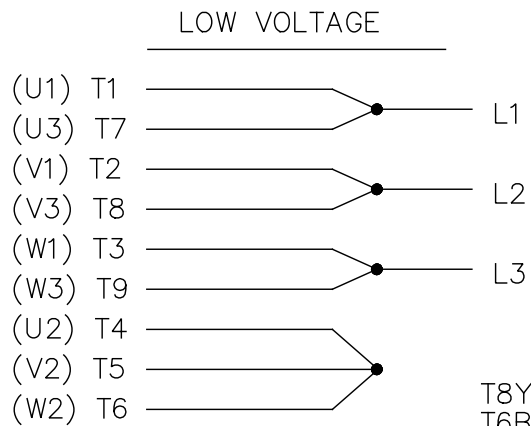


-005	4.0	2.75	6.43	10.68	00
-004	3.0	2.75	5.43	9.68	00
-003	2.0	2.75	4.43	8.68	00
-002	1.5	2.50	3.93	8.18	00
-001	1.0	2.00	3.43	7.68	00
ITEM NO.	STACK REF.	"B"	"C"	"OL"	ITEM REV.

DRAWING REVISION E		REVISION BY R. KAESTNER	DATE 03-16-2016	TOLERANCES UNLESS OTHERWISE SPECIFIED:		DRAWN BY DWH	Regal Beloit America, Inc.
ECO-0098749		APPROVED BY S. LALSARE	DATE 03-16-2016	DEC.	INCH	mm	
ECO DESCRIPTION UPDATE CONFIGURATIONS				.XX	±0.1	[±2.5]	APPROVED BY
<small>COPYRIGHT REGAL BELOIT AMERICA, INC. ALL RIGHTS RESERVED. PROPRIETARY AND CONFIDENTIAL INFORMATION - THIS DOCUMENT IS THE PROPERTY OF REGAL BELOIT AMERICA, INC. ("OWNER") AND CONTAINS OWNER'S PROPRIETARY INFORMATION. ANY PERSON, CORPORATION OR OTHER FIRM RECEIVING IT IS DEEMED, BY RECEIVING IT, TO AGREE THAT IT, AND/OR ANY PART OF IT, SHALL NOT BE DISCLOSED TO ANY PERSON, CORPORATION OR OTHER ENTITY, DUPLICATED, AND/OR USED, EXCEPT AS EXPRESSLY APPROVED IN WRITING IN ADVANCE BY OWNER. THIS DOCUMENT SHALL BE RETURNED TO OWNER UPON REQUEST. IT MAY BE SUBJECT TO CERTAIN RESTRICTIONS UNDER APPLICABLE EXPORT CONTROL LAWS AND REGULATIONS.</small>				.XXX	±0.005	[±0.127]	DATE
				.XXXX	±0.0005	[±0.0127]	REFERENCE
				REMOVE BURRS & BREAK SHARP EDGES: .003/.015 [0.076/.381] X 45° CORNER FILLETS: R.02 [51]		MACHINED SURFACES: 125 INCH 3.2 mm SHOWN IN [BRACKETS]	MATERIAL
				ANGLE ±0.5°		THIRD ANGLE PROJECTION	DESCRIPTION OUTLINE 3 PHASE PMAC
						SIZE B	PROCESS/FINISH
						DRAWING NUMBER 614-0004	SHEET 1 OF 1

EE7308

THREE PHASE
DUAL VOLTAGE MOTOR



VIEW OF TERMINAL END

REF.
WINDING DIAGRAM

T8Y, T2Y, T2BL, T4BX, T2EC, T2G
T6BZ, T2B, T6BL, T4AV, T6B, T4B

OPTIONAL CORD
CONNECTION

L1 — WHITE
L2 — RED
L3 — BLACK

NO.	REVISION	BY & DATE	CHK	ANG	TOLERANCES UNLESS SPECIFIED		FINISH	DRAWN RM 11/20/1990				
					DEC.	INCHES						
5	CHG TO REGAL LOGO	SL 09/10/2015	AB					CHK ML 11/21/1990				
4	REVISED IEC NOTATIONS	MSG 11/15/2011	CMN	.X	±.1			APPD SAS 04/24/2003				
3	ADDED IEC NOTATIONS... (U1), (V1) ETC. MU95194	MSG 5/10/2010	MJS	.XX	±.02			SCALE 1=1				
2	ADDED THE OPTIONAL CORD CONNECTION MU46318	RDH 04/24/2003	DRS	.XXX	±.005		TITLE CONNECTION DIAGRAM 3Ø - DUAL VOLTAGE MOTOR	REF				
1	REDRAWN	RM 11/20/1990		.XXXX	±.0005		MAT'L.	FMF				
					±7'30"			PREV				
THIS DRAWING IN DESIGN AND DETAIL IS OUR PROPERTY AND MUST NOT BE USED EXCEPT IN CONNECTION WITH OUR WORK ALL RIGHTS OF DESIGN AND INVENTION ARE RESERVED THIS IS AN ELECTRONICALLY GENERATED DOCUMENT - DO NOT SCALE THIS PRINT							RFP	CAD FILE ee7308	SIZE A	DRAWING NO. EE7308	PAGE OF 5	REV. 5
							DIST WP					

