

PRODUCT INFORMATION PACKET

Model No: 056S17D2066
Catalog No: S027
1/2, 1725, DP, 56, 1/60/115
Open Drip Proof (ODP)



Regal and Marathon are trademarks of Regal Beloit Corporation or one of its affiliated companies.
©2018 Regal Beloit Corporation, All Rights Reserved. MC017097E



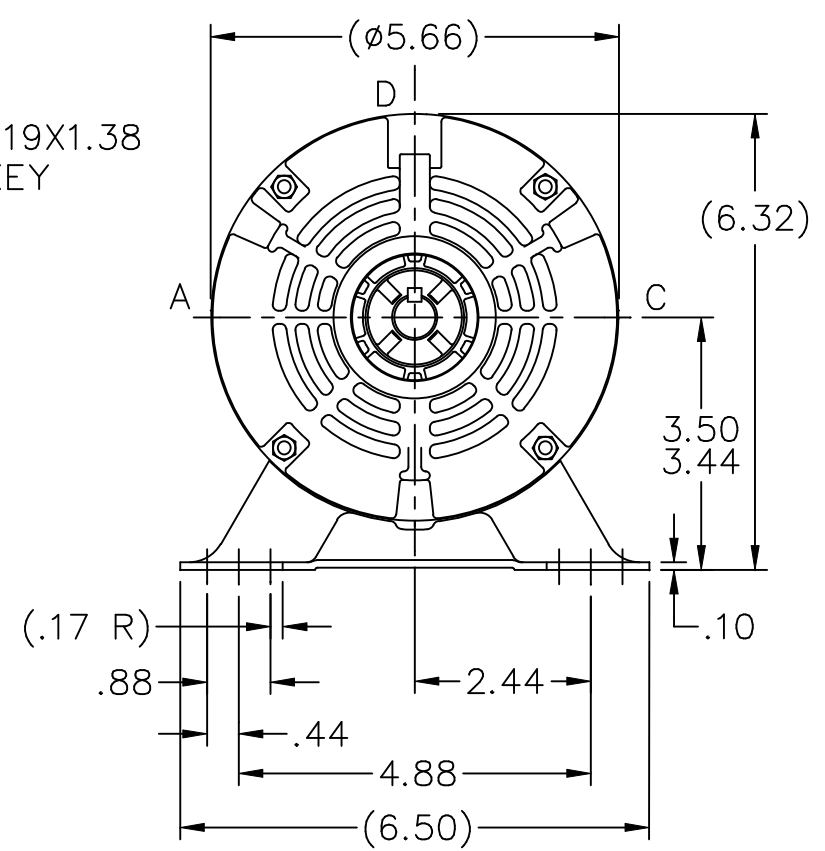
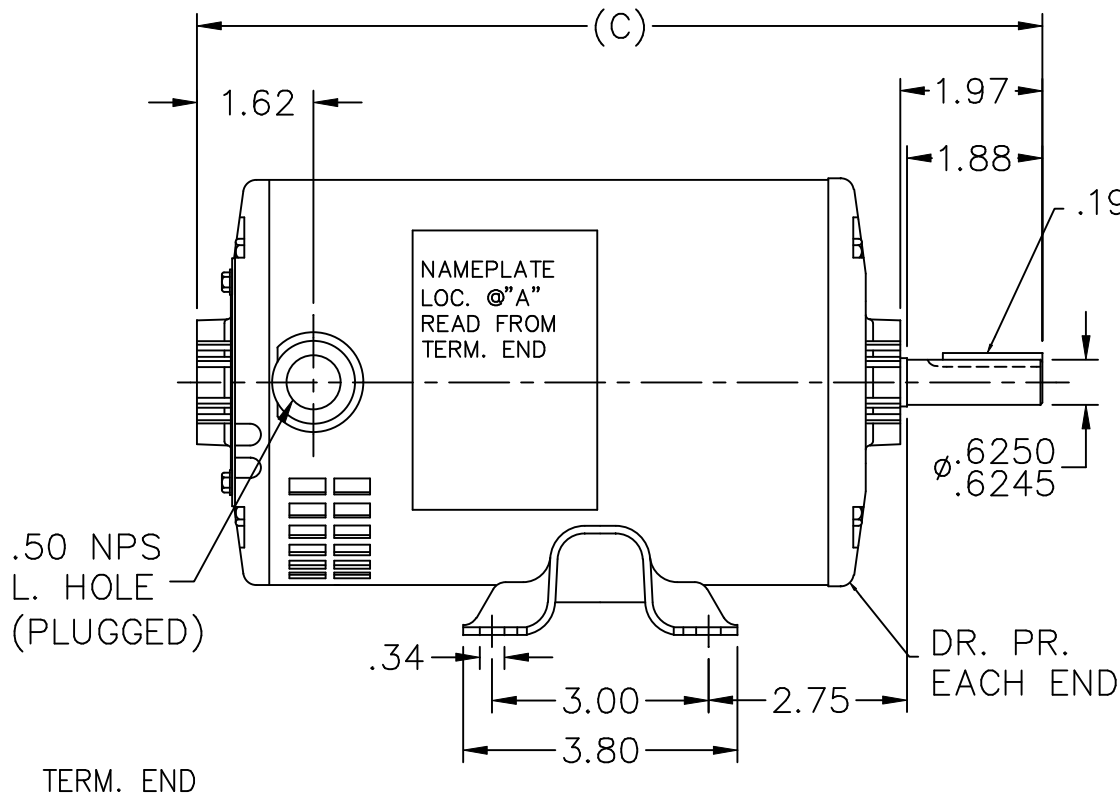


Nameplate Specifications

Output HP	0.50 Hp	Output KW	0.37 kW
Frequency	60 Hz	Voltage	115 V
Current	9.2 A	Speed	1725 rpm
Service Factor	1	Phase	1
Efficiency	60 %	Duty	Continous
Insulation Class	B	Design Code	NO DESIGN CODE
KVA Code	N	Frame	56
Enclosure	Drip Proof	Overload Protector	Automatic
Ambient Temperature	40 °C	Drive End Bearing Size	6203
Opp Drive End Bearing Size	6203	UL	Recognized
CSA	Y	CE	Y
IP Code	22		

Technical Specifications

Electrical Type	Split Phase	Starting Method	Across The Line
Poles	4	Rotation	Selective Counterclockwise
Mounting	Rigid base	Motor Orientation	Horizontal
Drive End Bearing	Ball	Opp Drive End Bearing	Ball
Frame Material	Rolled Steel	Shaft Type	NEMA 56
Overall Length	10.22 in	Frame Length	6.25 in
Shaft Diameter	0.625 in	Shaft Extension	1.97 in
Assembly/Box Mounting	F1 Only		
Outline Drawing	A-SS403629-625	Connection Diagram	A-EE7195



DASH	C	DASH	C	DASH	C
-600	9.97	-700	10.97	-775	11.72
-625	10.22	-725	11.22	-800	11.97
-650	10.47	-750	11.47	-875	12.72

		TOLERANCES UNLESS SPECIFIED	
		DEC.	INCHES
		.X	±.1
		.XX	±.03
		.XXX	±.005
		.XXXX	±.0005
NO.	REVISION	BY & DATE	CHK ANG ±7'30"

MARATHON ELECTRIC

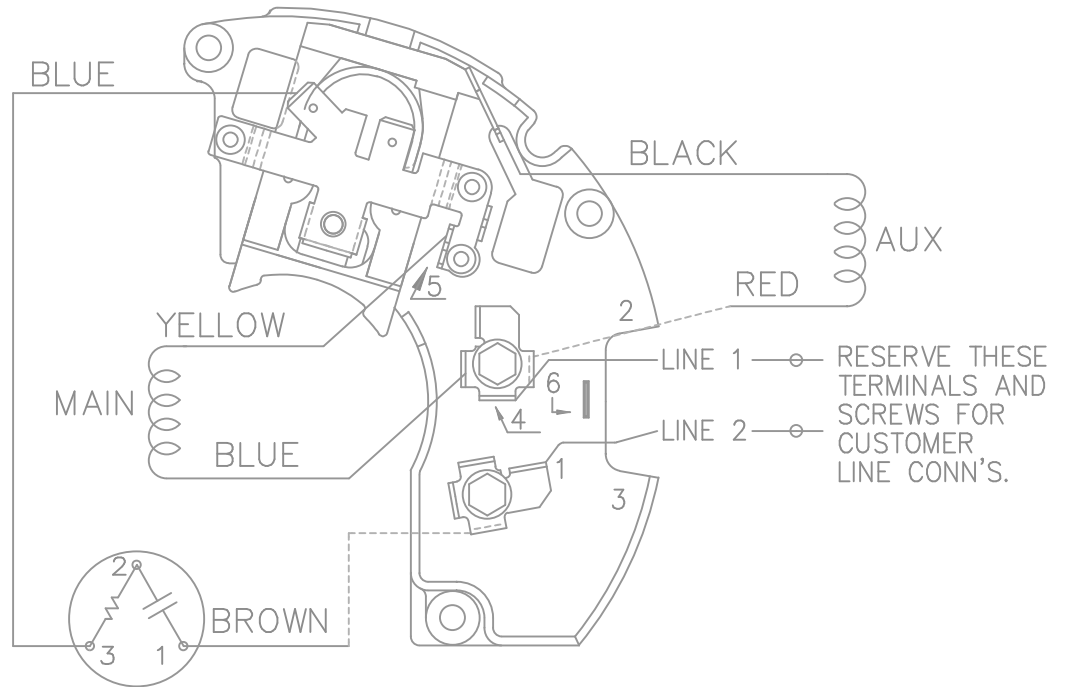
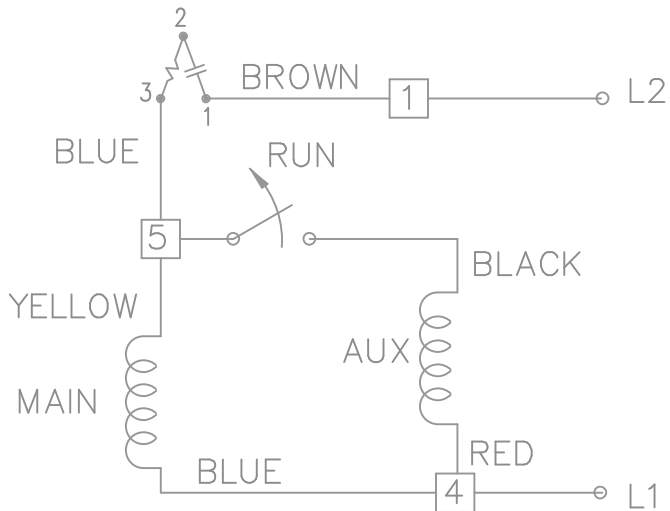
TITLE OUTLINE
56 FR. - DP.

MAT'L.
FINISH

DRAWN	NB 08-18-2007
CHK	VL 08-18-2007
APPD	VL 08-18-2007
SCALE	3=8
REF	SS75081
FMF	ISAAC 07-1161
PREV	

THIS DRAWING IN DESIGN AND DETAIL IS OUR PROPERTY AND MUST NOT BE USED EXCEPT IN CONNECTION WITH OUR WORK ALL RIGHTS OF DESIGN AND INVENTION ARE RESERVED THIS IS AN ELECTRONICALLY GENERATED DOCUMENT - DO NOT SCALE THIS PRINT		RFP 08-18-2007	CAD FILE ss403629	SIZE A	DRAWING NO. SS403629	PAGE OF	REV.
		DIST WP					

SINGLE VOLTAGE – SPLIT PHASE
 REVERSIBLE ON TERM BOARD
 WITH OVERLOAD PROTECTION



VIEWING TERMINAL END

C.C.W. ROTATION SHOWN.

FOR C.W. ROTATION INTERCHANGE
 YELLOW & BLUE LEADS ON TERM 5 & 4.

DASH LINES INDICATE LEADS CONNECTED
 TO MOTOR SIDE OF SWITCH.

			TOLERANCES UNLESS SPECIFIED			DRAWN ML 01-27-1998			
			DEC.	INCHES		CHK GK 02-05-1988			
5	REDRAWN ON AUTOCAD	RWR 06-15-2004	ML	.X ± -	TITLE CONNECTION DIAGRAM 48 FR. SINGLE VOLTAGE REVERSIBLE	APPD DRN 03-11-1988			
4	REVERSED L1 AND L2 CN19709	AJS 01-16-1995	GK	.XX ± -		SCALE 1=1			
3	REVISED LINE 2 LOCATION CN6427	RM 01-28-1991	GK	.XXX ± -		REF			
2	ADDED CUSTOMER CONNECTION NOTE CN6011	BW 08-03-1989	GK	.XXXX ± -		FMF			
NO.	REVISION	BY & DATE	CHK	ANG ± -	FINISH	PREV			
THIS DRAWING IN DESIGN AND DETAIL IS OUR PROPERTY AND MUST NOT BE USED EXCEPT IN CONNECTION WITH OUR WORK ALL RIGHTS OF DESIGN AND INVENTION ARE RESERVED THIS IS AN ELECTRONICALLY GENERATED DOCUMENT – DO NOT SCALE THIS PRINT			RFP	CAD FILE ee7195		SIZE A	DRAWING NO. EE7195	PAGE 1 OF 1	REV. 5
			DIST LB						

