

PRODUCT INFORMATION PACKET

marathon[®]
Motors

Model No: 056T11F5310
Catalog No: G587
1/3,1140,TEFC,56C,3/60/208-230/460
Totally Enclosed Fan Cooled (TEFC)



Regal and Marathon are trademarks of Regal Beloit Corporation or one of its affiliated companies.
©2018 Regal Beloit Corporation, All Rights Reserved. MC017097E

REGAL[®]



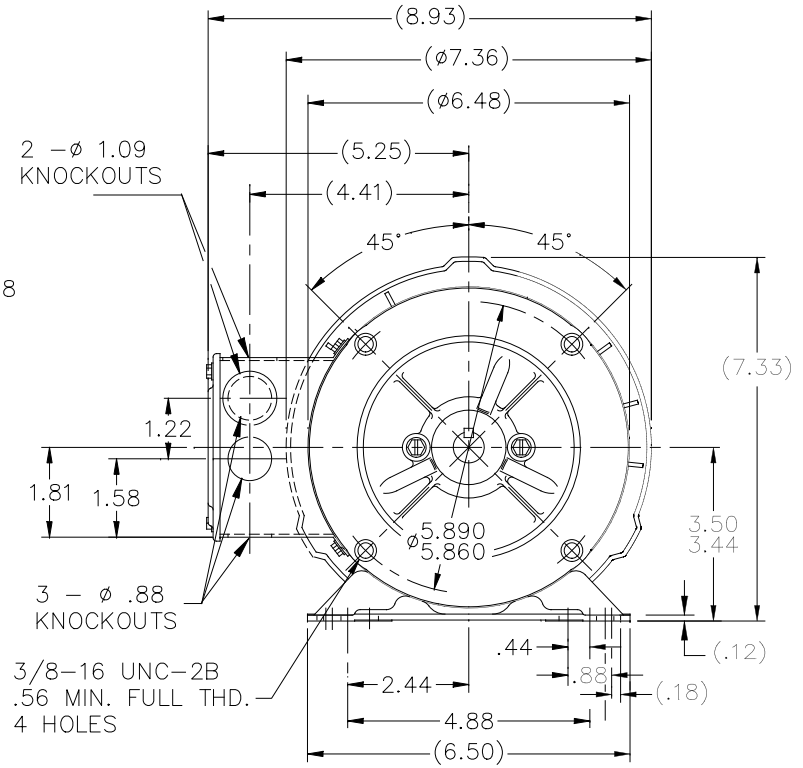
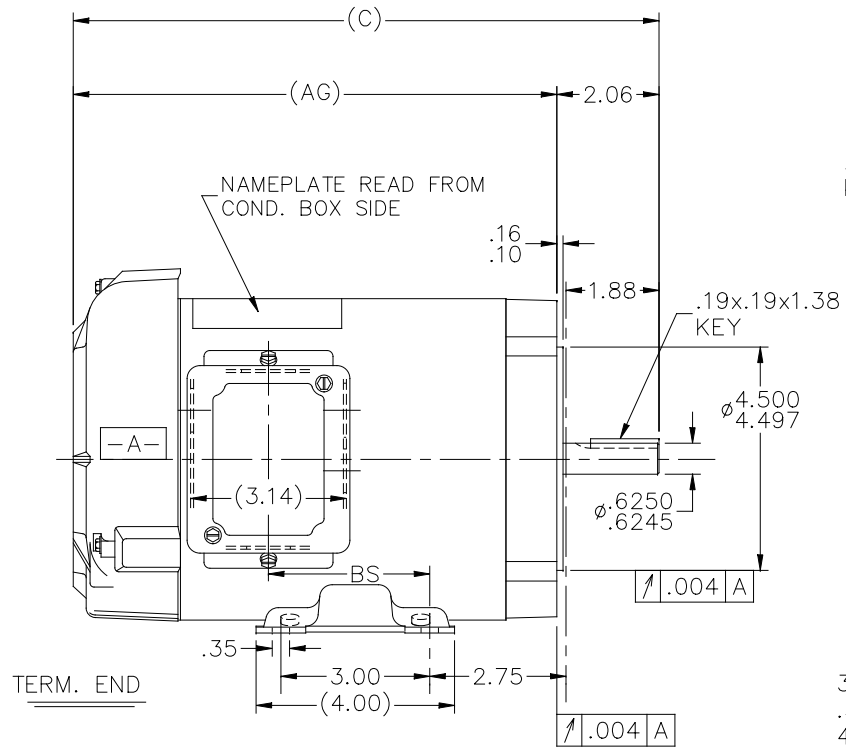
Nameplate Specifications

| | | | |
|----------------------------|------------------------------------|------------------------|----------------------|
| Output HP | 0.33 Hp | Output KW | 0.25 kW |
| Frequency | 60 Hz | Voltage | 208-230/460 V |
| Current | 1.9-2.2/1.1 A | Speed | 1140 rpm |
| Service Factor | 1.15 | Phase | 3 |
| Efficiency | 62 % | Duty | Continuous |
| Insulation Class | F | Design Code | B |
| KVA Code | M | Frame | 56C |
| Enclosure | Totally Enclosed Fan Cooled | Overload Protector | No |
| Ambient Temperature | 40 °C | Drive End Bearing Size | 6203 |
| Opp Drive End Bearing Size | 6203 | UL | Recognized |
| CSA | Y | CE | Y |
| IP Code | 43 | | |

Technical Specifications

| | | | |
|-----------------------|------------------------------------|-----------------------|---------------------------------|
| Electrical Type | Squirrel Cage Induction Run | Starting Method | Across The Line |
| Poles | 6 | Rotation | Reversible |
| Mounting | Bolt-on Base | Motor Orientation | Horizontal Or Up Or Down |
| Drive End Bearing | Ball | Opp Drive End Bearing | Ball |
| Frame Material | Rolled Steel | Shaft Type | T |
| Overall Length | 11.31 in | Frame Length | 6.06 in |
| Shaft Diameter | 0.625 in | Shaft Extension | 2.06 in |
| Assembly/Box Mounting | F1 Only | | |
| Outline Drawing | A-100141-606 | Connection Diagram | A-EE7308 |

This is an uncontrolled document once printed or downloaded and is subject to change without notice. Date Created: 06/29/2018



| DASH | C | AG | BS | DASH | C | AG | BS |
|------|-------|-------|------|------|-------|-------|------|
| 606 | 11.31 | 9.25 | 2.75 | 756 | 12.81 | 10.75 | 4.25 |
| 656 | 11.81 | 9.75 | 3.25 | 806 | 13.31 | 11.25 | 4.75 |
| 706 | 12.31 | 10.25 | 3.75 | 856 | 13.81 | 11.75 | 5.25 |

NOTES: CONDUIT BOX CAN BE ROTATED 180°
REMOVABLE BASE

| | | | | TOLERANCES UNLESS SPECIFIED | | | DRAWN BLR 05-27-1997 | | | | |
|--|-----------------------|-----------|----------------|-----------------------------|--------------|------------------------------|----------------------|--------------------|--------------------|-----------|--------|
| | | | | DEC. | INCHES | | CHK ML 05-27-1997 | APPD GK 05-27-1997 | | | |
| 7 | ADDED 806 DASH NUMBER | | PVR 05-19-2016 | .XX | ±.03 | TITLE OUTLINE | SCALE 5=16 | | | | |
| 6 | REDRAWN IN AUTOCAD | | TAT 06-29-2004 | ML | .XXX ±.005 | 56 FR - BB - TEFC - 'C' FACE | REF | | | | |
| 5 | REDRAWN ON CADD | | BLR 05-27-1997 | | .XXXX ±.0005 | MAT'L. | FMF | | | | |
| NO. | REVISION | BY & DATE | CHK | ANG | ±'30" | FINISH | PREV | | | | |
| THIS DRAWING IN DESIGN AND DETAIL IS OUR PROPERTY AND MUST NOT BE USED EXCEPT IN CONNECTION WITH OUR WORK ALL RIGHTS OF DESIGN AND INVENTION ARE RESERVED THIS IS AN ELECTRONICALLY GENERATED DOCUMENT - DO NOT SCALE THIS PRINT | | | | | | RFP | CAD FILE 100141 | SIZE A | DRAWING NO. 100141 | PAGE OF 7 | REV. 7 |
| | | | | | | DIST WP | | | | | |

EE7308

THREE PHASE
DUAL VOLTAGE MOTOR



VIEW OF TERMINAL END

REF.
WINDING DIAGRAM

T8Y, T2Y, T2BL, T4BX, T2EC, T2G
T6BZ, T2B, T6BL, T4AV, T6B, T4B

OPTIONAL CORD
CONNECTION

L1 — WHITE
L2 — RED
L3 — BLACK

| NO. | REVISION | BY & DATE | CHK | ANG | TOLERANCES UNLESS SPECIFIED | | FINISH | DRAWN RM 11/20/1990 | | | | |
|--|--|----------------|-----|-------|--------------------------------|--------|---|---------------------|--------|--------------------|-----------|--------|
| | | | | | DEC. | INCHES | | | | | | |
| 5 | CHG TO REGAL LOGO | SL 09/10/2015 | AB | | | | | CHK ML 11/21/1990 | | | | |
| 4 | REVISED IEC NOTATIONS | MSG 11/15/2011 | CMN | .X | ±.1 | | | APPD SAS 04/24/2003 | | | | |
| 3 | ADDED IEC NOTATIONS... (U1), (V1) ETC. MU95194 | MSG 5/10/2010 | MJS | .XX | ±.02 | | | SCALE 1=1 | | | | |
| 2 | ADDED THE OPTIONAL CORD CONNECTION MU46318 | RDH 04/24/2003 | DRS | .XXX | ±.005 | | TITLE CONNECTION DIAGRAM 3Ø - DUAL VOLTAGE MOTOR | REF | | | | |
| 1 | REDRAWN | RM 11/20/1990 | | .XXXX | ±.0005 | | MAT'L. | FMF | | | | |
| | | | | | ±7'30" | | | PREV | | | | |
| THIS DRAWING IN DESIGN AND DETAIL IS OUR PROPERTY AND MUST NOT BE USED EXCEPT IN CONNECTION WITH OUR WORK ALL RIGHTS OF DESIGN AND INVENTION ARE RESERVED THIS IS AN ELECTRONICALLY GENERATED DOCUMENT - DO NOT SCALE THIS PRINT | | | | | | | RFP | CAD FILE ee7308 | SIZE A | DRAWING NO. EE7308 | PAGE OF 5 | REV. 5 |
| | | | | | | | DIST WP | | | | | |



Regal Beloit America, Inc.

REGAL™
3Ø - DUAL VOLTAGE MOTOR

MAT'L.

RFP

DIST WP

SIZE

A

DRAWING NO. PAGE OF

EE7308 5

CERTIFICATION DATA SHEET

Model#: 56T11F5310 J **WINDING#:** ZT605 NONE 3
CONN. DIAGRAM: A-EE7308 **ASSEMBLY:** F1 ONLY
OUTLINE: A-100141-606

TYPICAL MOTOR PERFORMANCE DATA

| HP | KW | SYNC. RPM | F.L. RPM | FRAME | ENCLOSURE | KVA CODE | DESIGN |
|---------|-----------|-----------|----------|-------|-----------|----------|--------|
| 1/3&1/4 | 0.25&0.19 | 1200 | 1140&950 | 56C | TEFC | M | B |

| PH | Hz | VOLTS | FL AMPS | START TYPE | DUTY | INSL | S.F | AMB°C | ELEVATION |
|----|-------|-----------------------------|------------------------------|--------------------|----------------|------|-----------|-------|-----------|
| 3 | 60/50 | 208- 230/460#190/ 380 | 1.9- 2.2/1.1&2.1/1. 05 | ACROSS THE LINE | CONTINUOU S | F3 | 1.15/1.15 | 40 | 3300 |

| FULL LOAD EFF: 62&59.5 | 3/4 LOAD EFF: 58 | 1/2 LOAD EFF: 49 | GTD. EFF | ELEC. TYPE | NO LOAD AMPS |
|----------------------------|------------------|-------------------|----------|-----------------|--------------|
| FULL LOAD PF: 48.2&47.5 | 3/4 LOAD PF: 41 | 1/2 LOAD PF: 33.5 | 57.5 | SQ CAGE IND RUN | 2 / 1 |

| F.L. TORQUE | LOCKED ROTOR AMPS | L.R. TORQUE | B.D. TORQUE | F.L. RISE°C |
|-------------|-------------------|-------------|---------------|-------------|
| 1.5 LB-FT | 9.2 / 4.6 | 5 LB-FT 333 | 6.4 LB-FT 427 | 60 |

| SOUND PRESSURE @ 3 FT. | SOUND POWER | ROTOR WK^2 | MAX. WK^2 | SAFE STALL TIME | STARTS /HOUR | APPROX. MOTOR WGT |
|---------------------------|-------------|---------------|------------|-----------------|-----------------|----------------------|
| 62 dBA | 72 dBA | 0.038 LB-FT^2 | 15 LB-FT^2 | 15 SEC. | 2 | 22 LBS. |

***** SUPPLEMENTAL INFORMATION *****

| DE BRACKET TYPE | ODE BRACKET TYPE | MOUNT TYPE | ORIENTATION | SEVERE DUTY | HAZARDOUS LOCATION | DRIP COVER | SCREENS | PAINT |
|--------------------|---------------------|---------------|--------------------------------|----------------|-----------------------|--------------------|---------|------------------|
| C-FACE | BRAKE | BOLT-ON | HORIZONTAL OR UP OR DOWN | FALSE | NONE | PROVISIONS ONLY | NONE | GRAY (POWDER) |

| BEARINGS | | GREASE | SHAFT TYPE | SPECIAL DE | SPECIAL ODE | SHAFT MATERIAL | FRAME MATERIAL |
|----------|------|------------|------------|------------|-------------|--------------------------------|-------------------|
| DE | OPE | POLYREX EM | T | NONE | NONE | 1144 STRESSPROOF (C-223) | ROLLED STEEL |
| BALL | BALL | | | | | | |
| 6203 | 6203 | | | | | | |

| THERMO-PROTECTORS | | | | THERMISTORS | CONTROL | SPACE /n HEATERS |
|-------------------|------------|----------|----------|-------------|---------|------------------|
| THERMOSTATS | PROTECTORS | WDG RTDs | BRG RTDs | NONE | FALSE | NONE VOLTS |
| NONE | NOT | NONE | NONE | | | |

If Inverter equals NONE, contact factory for further information

| |
|--------------------------------|
| INVERTER TORQUE: NONE |
| INV. HP SPEED RANGE: NONE |
| ENCODER: NONE |
| NONE NONE |
| NONE NONE PPR |
| BRAKE: PROVISIONS FOR KIT NONE |
| STEARNS P/N NONE |
| 56,000 NONE |
| 10 FT-LB NONE V NONE Hz |

*
N
O
T
E
S
*

FORM 3531 REV.3 02/07/99

** Subject to change without notice.