

PRODUCT INFORMATION PACKET

Model No: 056T11O5309
Catalog No: X526
2,1140,OPEN,56Y,3/60/575
Condenser Fans



Regal and Marathon are trademarks of Regal Beloit Corporation or one of its affiliated companies.
©2018 Regal Beloit Corporation, All Rights Reserved. MC017097E





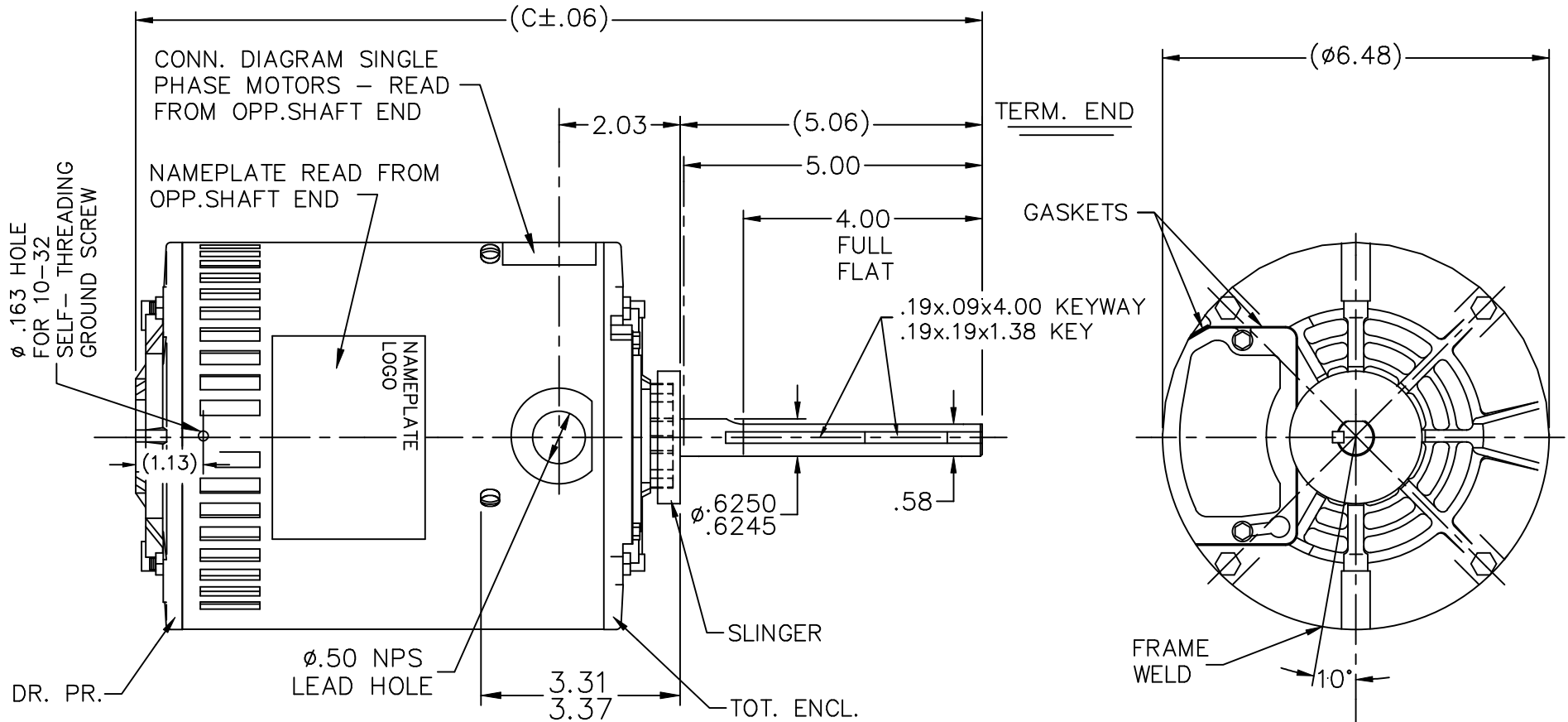
Nameplate Specifications

Output HP	2 Hp	Output KW	1.5 kW
Frequency	60 Hz	Voltage	575 V
Current	2.7 A	Speed	1140 rpm
Service Factor	1	Phase	3
Efficiency	81.5 %	Duty	Continuous
Insulation Class	H	Design Code	NO DESIGN CODE
KVA Code	J	Frame	56Z
Enclosure	Open Air Over	Overload Protector	Automatic
Ambient Temperature	70 °C	Drive End Bearing Size	6203
Opp Drive End Bearing Size	6203	UL	Recognized (Not Protector)
CSA	Y	CE	N
IP Code	10		

Technical Specifications

Electrical Type	Squirrel Cage Induction Run	Starting Method	Across The Line
Poles	6	Rotation	Reversible
Mounting	Round Belly Band	Motor Orientation	Horizontal
Drive End Bearing	Ball	Opp Drive End Bearing	Ball
Frame Material	Rolled Steel	Shaft Type	Single Special Extension
Overall Length	16.68 in	Frame Length	9.56 in
Shaft Diameter	0.625 in	Shaft Extension	5.06 in
Assembly/Box Mounting	F1 Only		
Outline Drawing	A-100153-956	Connection Diagram	A-EE7335B

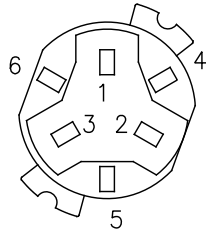
This is an uncontrolled document once printed or downloaded and is subject to change without notice. Date Created: 07/02/2018



DASH	FRAME	C		DASH	FRAME	C	
656	56-65	13.68		856	56-85	15.68	
706	"-70	14.18		906	"-90	16.18	
756	"-75	14.68		956	"-95	16.68	
806	"-80	15.18					

				TOLERANCES UNLESS SPECIFIED		MARATHON ELECTRIC	DRAWN MJD 03-27-1998					
				DEC.	INCHES		CHK	ML	04-02-1998			
				.X	$\pm .1$	TITLE OUTLINE 56 FR. MAT'L. FINISH	APPD	GK	04-02-1998	SCALE	3=8	
7	ADDED LOCATING SCREWS	ISAAC 07-1469	RJW 08-31-2007	EH	.XX		$\pm .03$	REF				
6	REDRAWN IN AUTOCAD		TAT 08-03-2004	ML	.XXX		$\pm .005$	FMF				
5	REDRAWN ON CADD		MJD 04-02-1998		.XXXX		$\pm .0005$	PREV				
NO.	REVISION		BY & DATE	CHK	ANG		$\pm 7'30''$					
THIS DRAWING IN DESIGN AND DETAIL IS OUR PROPERTY AND MUST NOT BE USED EXCEPT IN CONNECTION WITH OUR WORK ALL RIGHTS OF DESIGN AND INVENTION ARE RESERVED THIS IS AN ELECTRONICALLY GENERATED DOCUMENT - DO NOT SCALE THIS PRINT				RFP	CAD FILE 100153			SIZE	DRAWING NO.	PAGE	OF	REV.
				DIST	WP			A	100153			7

SINGLE VOLTAGE – THREE PHASE WITH OVERLOAD PROTECTOR

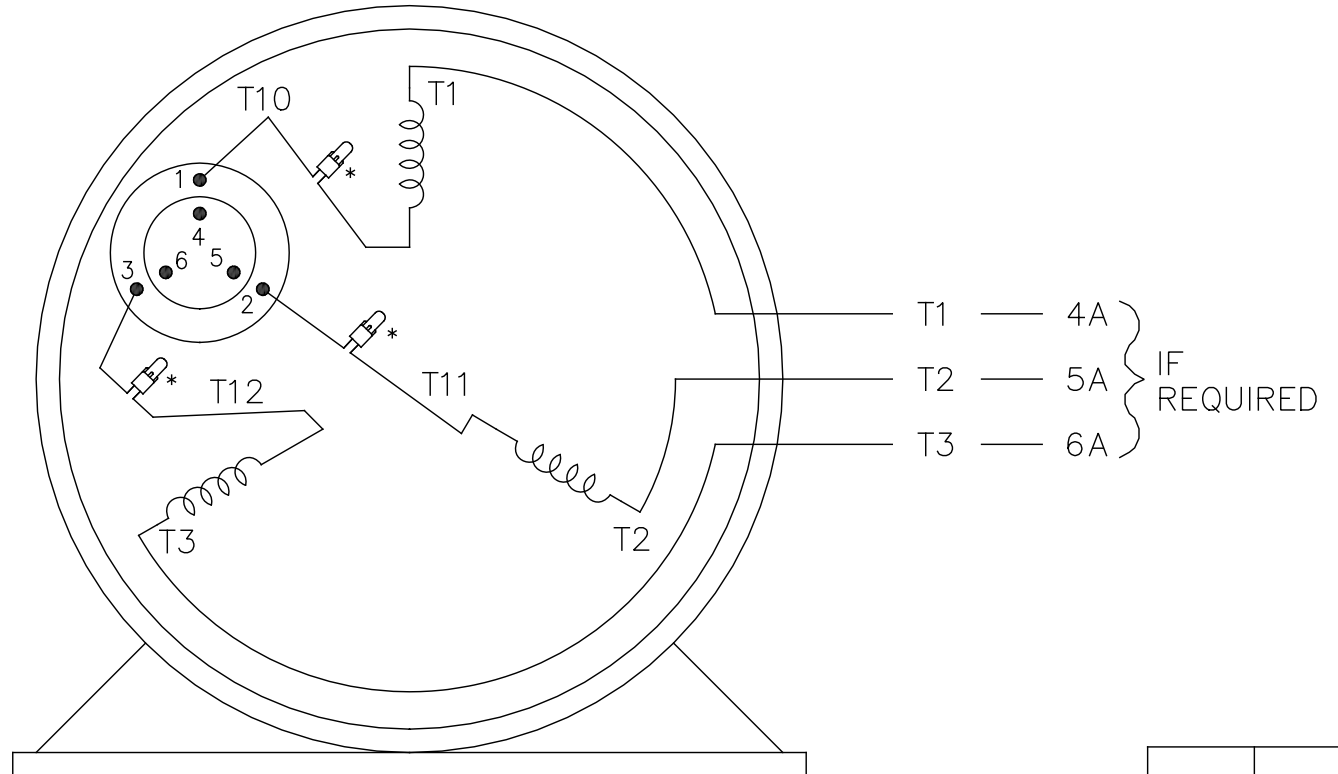


NOTE:
ACTUAL PROTECTOR
TERMINAL LOCATIONS
FOR LEAD CONNECTIONS

NOTE:

WEST PLAINS

LEADS WITH TERMINALS
SHOULD BE CONNECTED
TO INBOARD SIDE OF
TERMINAL BOARD.



VIEW OF TERMINAL END

–TO REVERSE ROTATION–
INTERCHANGE ANY TWO
LINE LEAD CONNECTIONS

OPTIONAL CORD
CONNECTION

L1 — WHITE —
L2 — RED —
L3 — BLACK —

		T6CK
T6CA	T6BM	
T4CC	T4AY	
T4C	T2DL	
T6D	T2H	

* USE PRESSURE CONNECTORS FOR MT2 PLANT ONLY

NO.	REVISION	BY & DATE	CHK	ANG	TOLERANCES UNLESS SPECIFIED	FINISH	PREV
11	ADDED THE OPTIONAL CORD CONNECTION	JAH 11-12-2014	RD				DRAWN KL 08-25-1993
10	PRESSURE CONNECTORS ADDED (QTY 3)	PVR 07-09-2014	GR				CHK RD 11-12-2014
9	ADDED 4A, 5A, & 6A "IF REQUIRED" MU44987	MSG 01-07-2002	SAS	.X	± -		APPD RD 11-12-2014
8	ADDED ACTUAL PROTECTOR VIEW CN 17481	KL 05-18-1994		.XX	± -	TITLE CONNECTION DIAGRAM	SCALE 1=1
7	REWORDED WEST PLAINS NOTE – PER WEST PLAINS	DD 01-12-1994		.XXX	± -	SINGLE VOLT – 3Ø WITH OVERLOAD PROT.	REF
6	REDRAWN ON CAD – "WEST PLAINS" NOTE ADDED	KL 08-26-1993		.XXXX	± -	MAT'L.	FMF



THIS DRAWING IN DESIGN AND DETAIL IS OUR PROPERTY AND MUST NOT BE USED EXCEPT IN CONNECTION WITH OUR WORK ALL RIGHTS OF DESIGN AND INVENTION ARE RESERVED THIS IS AN ELECTRONICALLY GENERATED DOCUMENT – DO NOT SCALE THIS PRINT

RFP	CAD FILE EE7335B	SIZE A	DRAWING NO. EE7335B	PAGE OF	REV. 11
DIST LB-WP					

