

PRODUCT INFORMATION PACKET

Model No: 056T11O5310
Catalog No: X525
2,1140,OPEN,56HZ,3/60/208-230/460
Commercial Refrigeration Fan



Regal and Marathon are trademarks of Regal Beloit Corporation or one of its affiliated companies.
©2018 Regal Beloit Corporation, All Rights Reserved. MC017097E





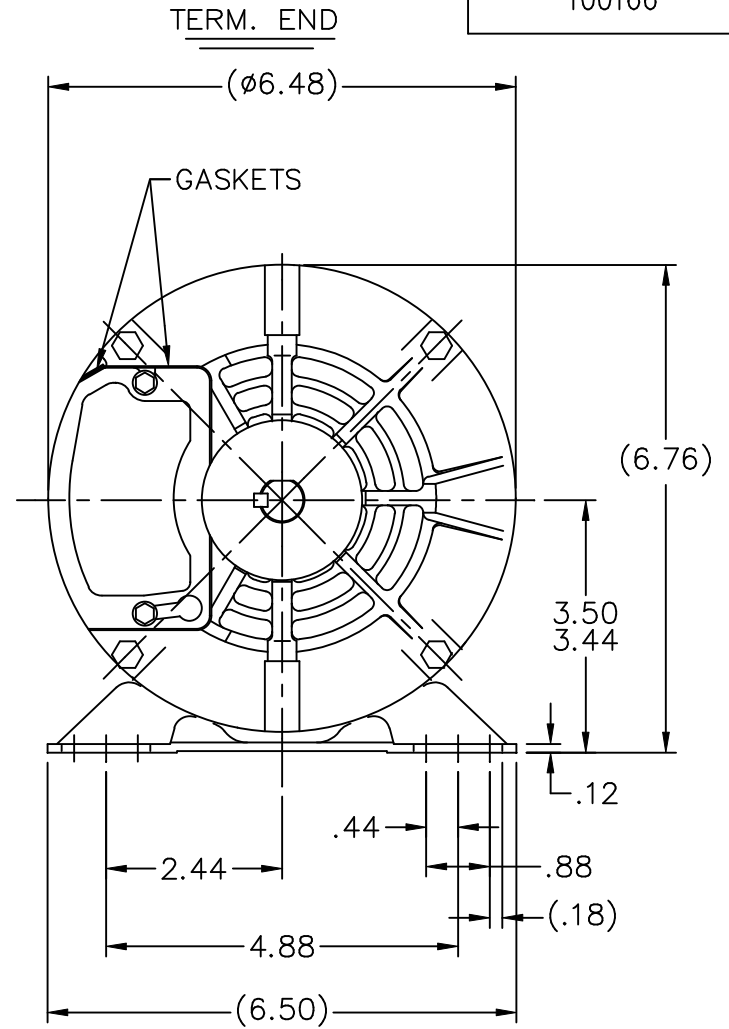
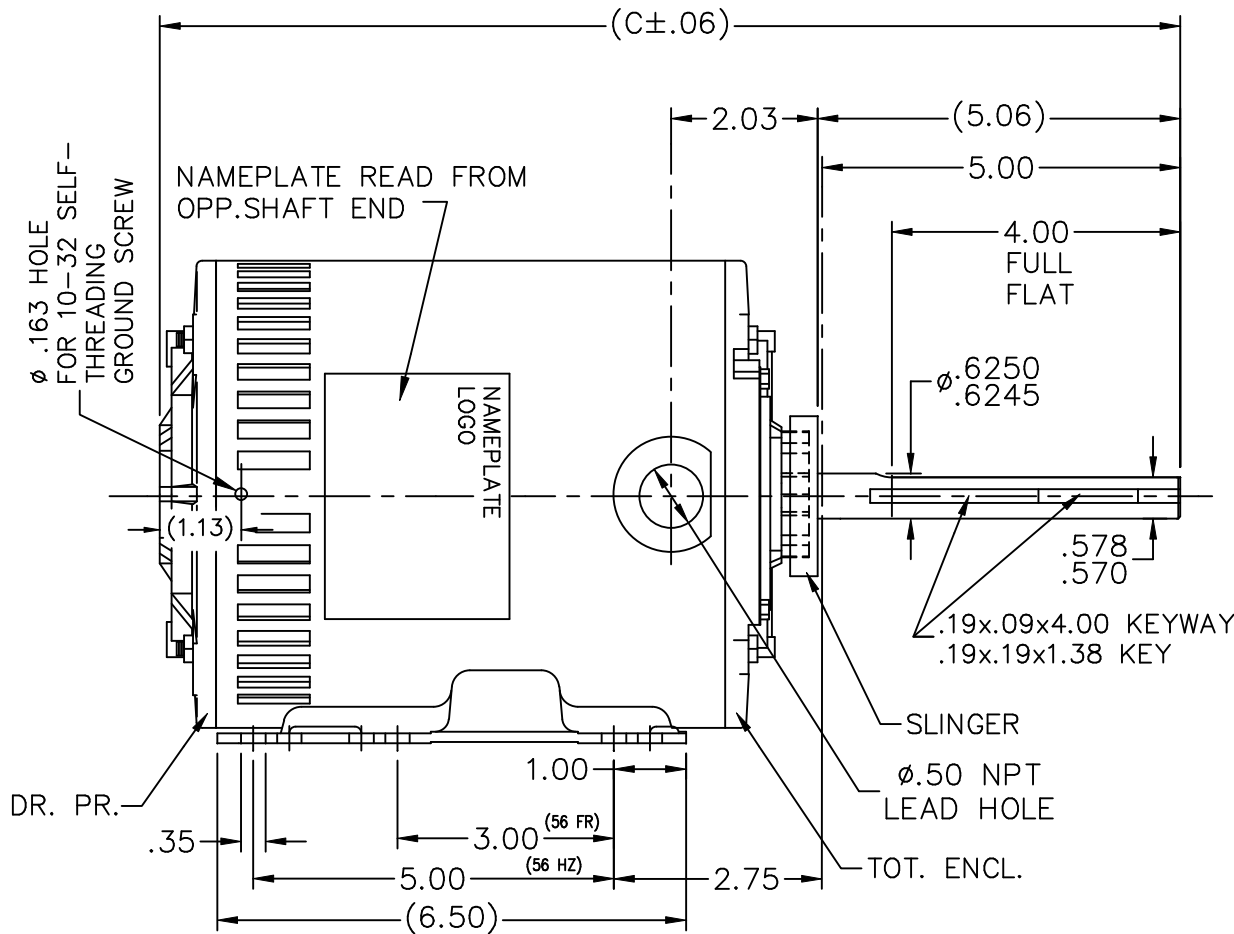
Nameplate Specifications

| | | | |
|----------------------------|----------------------|------------------------|------------------------------------|
| Output HP | 2 Hp | Output KW | 1.5 kW |
| Frequency | 60 Hz | Voltage | 208-230/460 V |
| Current | 7.2-6.8/3.4 A | Speed | 1140 rpm |
| Service Factor | 1 | Phase | 3 |
| Efficiency | 81.5 % | Duty | Continuous |
| Insulation Class | B | Design Code | NO DESIGN CODE |
| KVA Code | J | Frame | 56HZ |
| Enclosure | Open Air Over | Overload Protector | Automatic |
| Ambient Temperature | 70 °C | Drive End Bearing Size | 6203 |
| Opp Drive End Bearing Size | 6203 | UL | Recognized (Not Protector) |
| CSA | Y | CE | N |
| IP Code | 10 | | |

Technical Specifications

| | | | |
|-----------------------|------------------------------------|-----------------------|---------------------------------|
| Electrical Type | Squirrel Cage Induction Run | Starting Method | Across The Line |
| Poles | 6 | Rotation | Reversible |
| Mounting | Rigid base | Motor Orientation | Horizontal |
| Drive End Bearing | Ball | Opp Drive End Bearing | Ball |
| Frame Material | Rolled Steel | Shaft Type | Single Special Extension |
| Overall Length | 16.68 in | Frame Length | 9.56 in |
| Shaft Diameter | 0.625 in | Shaft Extension | 5.06 in |
| Assembly/Box Mounting | F1 Only | | |
| Outline Drawing | A-100166-956 | Connection Diagram | A-102007-1 |

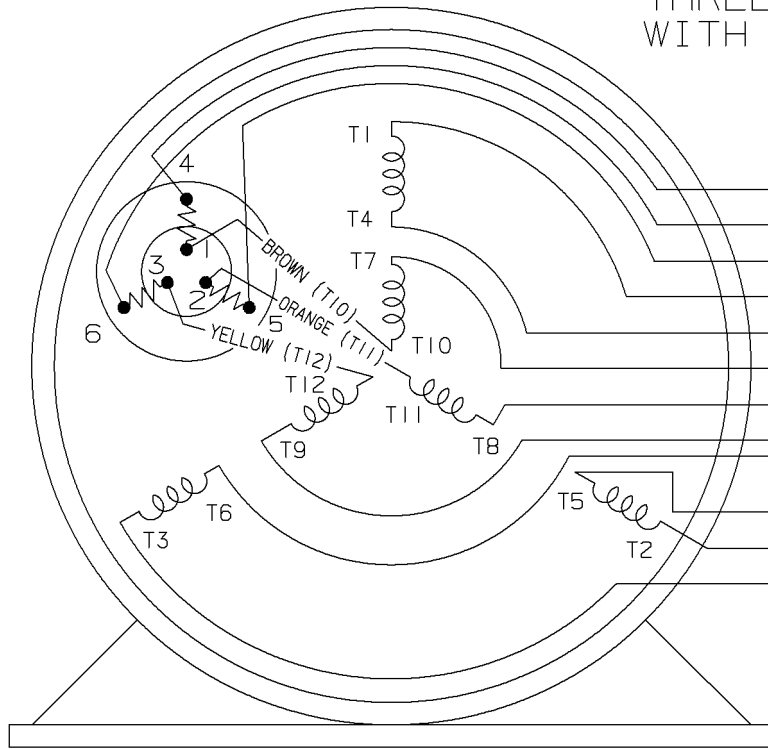
This is an uncontrolled document once printed or downloaded and is subject to change without notice. Date Created: 06/29/2018



| DASH | FR. | C | DASH | FR. | C |
|------|-------|-------|------|-------|-------|
| 706 | 56-70 | 14.18 | 906 | 56-90 | 16.18 |
| 756 | 56-75 | 14.68 | 956 | 56-95 | 16.68 |
| 806 | 56-80 | 15.18 | | | |
| 856 | 56-85 | 15.68 | | | |

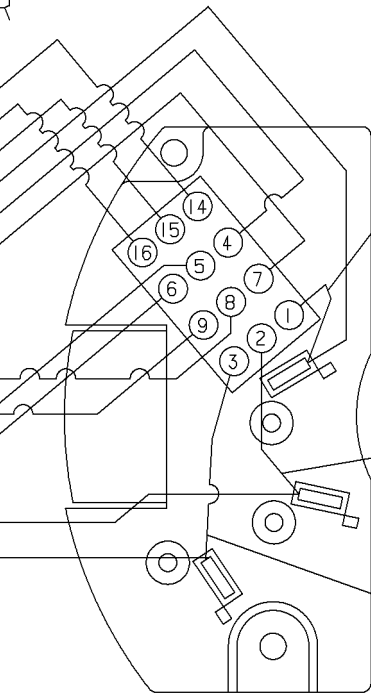
| | | | TOLERANCES UNLESS SPECIFIED | | | DRAWN MJD 03-27-1998 | | | | |
|--|---|----------------|-----------------------------|-----------------|--------|-----------------------|-------------|------------|-------|------|
| | | | DEC. | INCHES | | CHK | ML | 04-02-1998 | | |
| 6 | ADDED DASH VALUES | PBS 3/6/2007 | NB | .X | ±.1 | APPD | GK | 04-02-1998 | SCALE | 3=8 |
| 5 | REVISED FLAT TO 3 PLACE DECIMAL TOLERANCE | TAT 03-14-2005 | ML | .XX | ±.03 | TITLE OUTLINE | | | | |
| 4 | REDRAWN IN AUTOCAD | TAT 08-03-2004 | ML | .XXX | ±.005 | 56 FR.CONDENSER MOTOR | | | | |
| 3 | REDRAWN ON CADD | MJD 04-02-1998 | | .XXXX | ±.0005 | MAT'L. | | | | |
| NO. | REVISION | BY & DATE | CHK | ANG | ±7'30" | FINISH | | | | |
| THIS DRAWING IN DESIGN AND DETAIL IS OUR PROPERTY AND MUST NOT BE USED EXCEPT IN CONNECTION WITH OUR WORK ALL RIGHTS OF DESIGN AND INVENTION ARE RESERVED THIS IS AN ELECTRONICALLY GENERATED DOCUMENT - DO NOT SCALE THIS PRINT | | | RFP | CAD FILE 100166 | | SIZE | DRAWING NO. | PAGE | OF | REV. |
| | | | DIST | WP | A | 100166 | | | 6 | |

THREE PHASE-DUAL VOLTAGE WITH THERMAL PROTECTOR



VIEW OF TERMINAL END

- (T14) BROWN
- (T16) YELLOW
- (T15) ORANGE
- (T1) RED
- T4
- T7
- T8
- T9
- T6
- T5
- (T2) BLUE
- (T3) BLACK

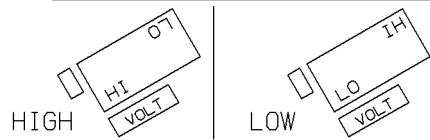


VIEWING BOTTOM OF TERMINAL BOARD

RED
 NUMBERS SHOWN ON TERM BOARD ARE FOR REF. ONLY.
 (NUMBERS DO NOT APPEAR ON PARTS.)

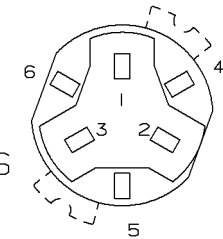
BLUE
 BLACK

TO CHANGE VOLTAGE, PULL PLUG, ROTATE 180° AND REINSERT



CONNECT LINES TO L1, L2 & L3

NOTE:
 ACTUAL PROTECTORS TERMINAL LOCATIONS FOR LEAD CONNECTIONS



| | | | | | | | | |
|-----|------------|--|------|---|---|--|--|------------------------|
| 4 | 06-26-1995 | 1,2,3 WERE SWITCHED WITH 4,5,6 ON THE TERMINAL CN 20644 | BR | ✓ MAX. SURFACE ROUGHNESS UNLESS NOTED OTHERWISE | UNLESS OTHERWISE SPECIFIED DIMENSIONS ARE IN INCHES TOL. ON XX±.02 XXX±.005 XXXX±.0005 ANGLES± 7°30" | | | |
| 3 | 05-18-1994 | ADDED ACTUAL PROTECTOR VIEW CN 17481 | KL | MATL SPEC | | | | DRAWN BY RM 07-20-1993 |
| 2 | 07-20-1993 | REDRAWN ON CADD, ORIGINAL LOST. REV. VCD TO COLORED LEADS CNI3741 | RM | FINISH | | | | CHKD BY ET 07-20-1993 |
| REV | DATE | CHANGE | NAME | REFERENCE DRW. | WAUSAU, WISCONSIN 54401 | | | |
| | | | | PART NAME CONNECTION DIAGRAM 3Ø - DUAL VOLTAGE MOTOR | DRWG NO A- 102007-1 | | | |

SHOP BOOK

PURCHASED

DISTRIBUTION - WA - LB - WP - LM - BR

CADD FILE NO.

102007-1

FORM 3531 REV.3 02/07/99

** Subject to change without notice.