

PRODUCT INFORMATION PACKET

Model No: 056T17D2101
Catalog No: G100
1,1800,DP,56,3/60/208-230/460
Fan and Blower



Regal and Marathon are trademarks of Regal Beloit Corporation or one of its affiliated companies.
©2018 Regal Beloit Corporation, All Rights Reserved. MC017097E



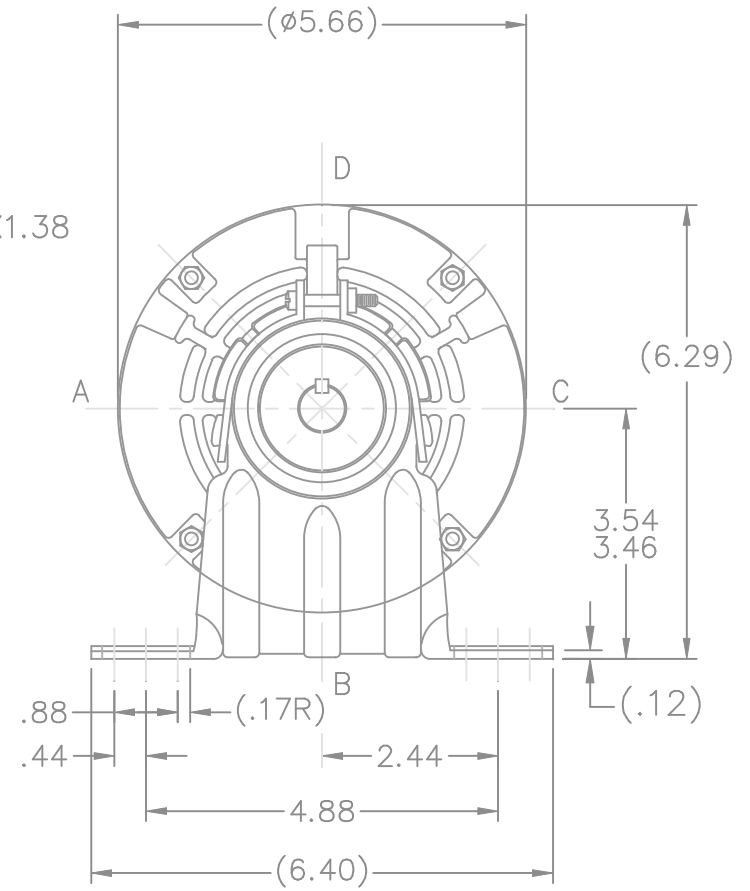
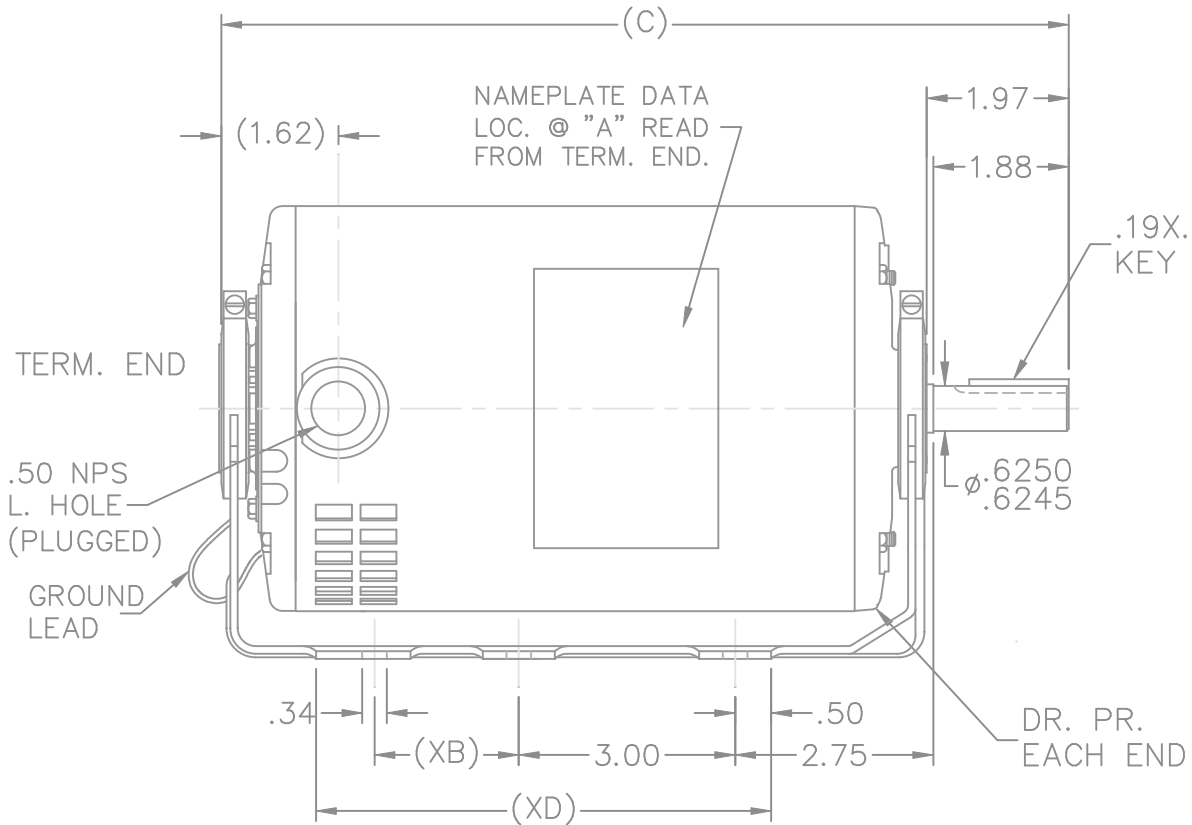


Nameplate Specifications

Output HP	1 Hp	Output KW	0.75 kW
Frequency	60 Hz	Voltage	208-230/460 V
Current	3.4-3.4/1.7 A	Speed	1725 rpm
Service Factor	1.15	Phase	3
Efficiency	76.5 %	Duty	Continuous
Insulation Class	B	Design Code	B
KVA Code	L	Frame	56
Enclosure	Drip Proof	Overload Protector	Automatic
Ambient Temperature	40 °C	Drive End Bearing Size	6203
Opp Drive End Bearing Size	6203	UL	Recognized
CSA	Y	CE	N
IP Code	22		

Technical Specifications

Electrical Type	Squirrel Cage Induction Run	Starting Method	Across The Line
Poles	4	Rotation	Reversible
Mounting	Resilient Base	Motor Orientation	Horizontal
Drive End Bearing	Ball	Opp Drive End Bearing	Ball
Frame Material	Rolled Steel	Shaft Type	NEMA 56
Overall Length	11.47 in	Frame Length	7.50 in
Shaft Diameter	0.625 in	Shaft Extension	1.97 in
Assembly/Box Mounting	F1 Only		
Outline Drawing	A-SS75077-750	Connection Diagram	A-EE7335

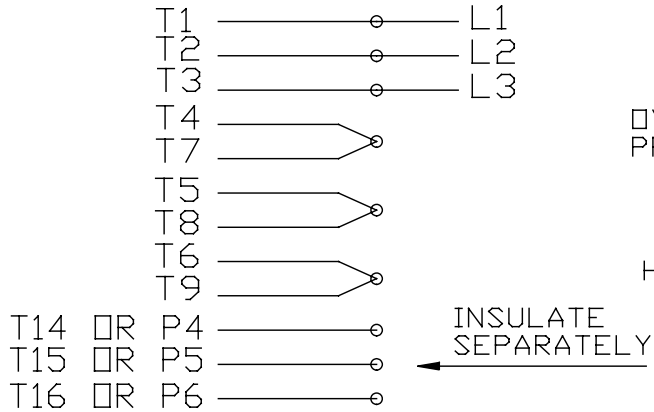


DASH	XB	XD	C	DASH	XB	XD	C
600	0	4.50	9.97	750	2.00	6.00	11.47
650	0	5.00	10.47				
700	0	5.50	10.97	800	2.00	6.50	11.97

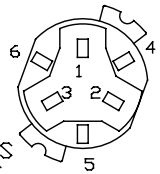
8	UPDATED DRAWING	TJW 04/13/2007		TOLERANCES UNLESS SPECIFIED			DRAWN SMC 11-01-1990			
7	FIXED FEET DIMENSIONS	RJW 04-11-2005	ML	DEC.	INCHES		CHK MOL 11-02-1990			
6	REDRAWN IN AUTOCAD	TAT 09-01-2004	ML	.X	±.1		APPD GK 11-02-1990			
5	ADDED NEW FRONT BRACKET	CN 20124	RJM 04-04-1995	.XX	±.03		SCALE 3=8			
4	ADDED NEW REAR BRACKET	CN 19513	KL 12-12-1994	.XXX	±.005	TITLE OUTLINE	REF			
3	.50 NPS WAS .50 NPT.	CN 6642	RM 11-13-1991	.XXXX	±.0005	MAT'L.	FMF			
NO.	REVISION	BY & DATE	CHK	ANG	±7'30"	FINISH	PREV			
THIS DRAWING IN DESIGN AND DETAIL IS OUR PROPERTY AND MUST NOT BE USED EXCEPT IN CONNECTION WITH OUR WORK ALL RIGHTS OF DESIGN AND INVENTION ARE RESERVED THIS IS AN ELECTRONICALLY GENERATED DOCUMENT - DO NOT SCALE THIS PRINT				RFP	CAD FILE ss75077		SIZE A	DRAWING NO. SS75077	PAGE OF 8	REV. 8
				DIST WP						

EE7335

HIGH VOLTAGE CONNECTIONS

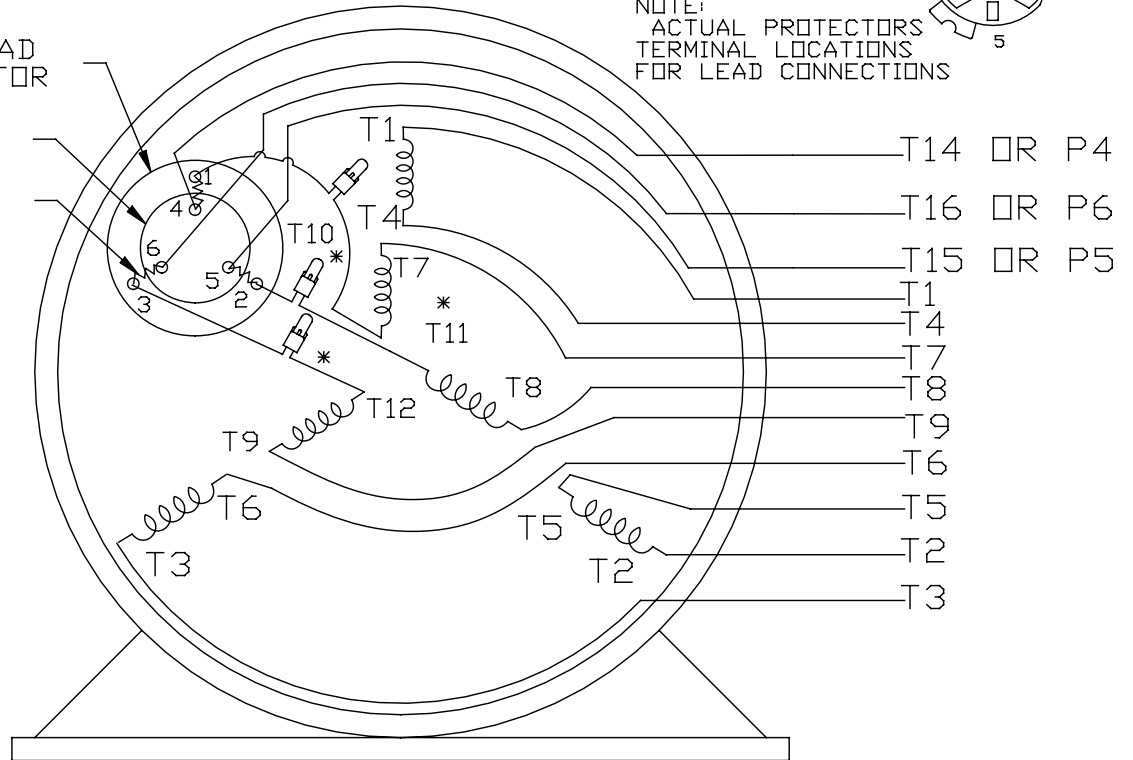


THREE PHASE - DUAL VOLTAGE MOTOR WITH OVERLOAD PROTECTOR



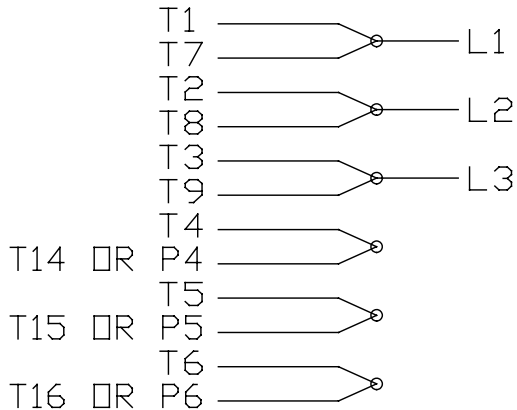
NOTE:
ACTUAL PROTECTORS
TERMINAL LOCATIONS
FOR LEAD CONNECTIONS

OVERLOAD
PROTECTOR
DISC
HEATER



VIEW OF TERMINAL END

LOW VOLTAGE CONNECTIONS



* USE PRESSURE CONNECTORS FOR MT2 PLANT ONLY

T2K
T4D
T6AN

NO.	REVISION	BY & DATE	CHK	TOLERANCES UNLESS SPECIFIED		FINISH	DRAWN	SCALE	REV.	
				DEC.	INCHES					
17	CHANGED LOGO FROM MARATHON TO REGAL	KIR 02/16/16	AB	DEC.	INCHES	Regal Beloit America, Inc.	KL	08-09-1993	1	
16	PRESSURE CONNECTORS QUANTITY WAS 6	PVR 10/29/13	GR	.X	±.1		CHK	ML	08/10/1993	2
15	PRESSURE CONNECTORS ADDED	GR 03/04/13	SR	.XX	±.01		APPD	GK	08/10/1993	3
14	ADDED ACTUAL PROECTOR VIEW CN 17481	KL 05/18/94		.XXX	±.005		TITLE			4
13	REDRAWN IN AUTO CAD	KL 08/11/93		.XXXX	±.0005		3Ø-DUAL VOLT WITH OVERLOAD PROTECTO			5
						MAT'L.			6	
									7	
									8	
									9	
									10	
									11	
									12	
									13	
									14	
									15	
									16	
									17	
									18	
									19	
									20	
									21	
									22	
									23	
									24	
									25	
									26	
									27	
									28	
									29	
									30	
									31	
									32	
									33	
									34	
									35	
									36	
									37	
									38	
									39	
									40	
									41	
									42	
									43	
									44	
									45	
									46	
									47	
									48	
									49	
									50	
									51	
									52	
									53	
									54	
									55	
									56	
									57	
									58	
									59	
									60	
									61	
									62	
									63	
									64	
									65	
									66	
									67	
									68	
									69	
									70	
									71	
									72	
									73	
									74	
									75	
									76	
									77	
									78	
									79	
									80	
									81	
									82	
									83	
									84	
									85	
									86	
									87	
									88	
									89	
									90	
									91	
									92	
									93	
									94	
									95	
									96	
									97	
									98	
									99	
									100	

CERTIFICATION DATA SHEET

Model#: 56T17D2101 H WINDING#: TE48416 NONE 3
 CONN. DIAGRAM: A-EE7335 ASSEMBLY: F1 ONLY
 OUTLINE: A-SS75077-750

TYPICAL MOTOR PERFORMANCE DATA

HP	KW	SYNC. RPM	F.L. RPM	FRAME	ENCLOSURE	KVA CODE	DESIGN
1&3/4	.75&.56	1800	1725&1425	56	DP	L	B

PH	Hz	VOLTS	FL AMPS	START TYPE	DUTY	INSL	S.F	AMB°C	ELEVATION
3	60/50	208- 230/460#190/ 380-415	3.4- 3.4/1.7&3.1/1. 5-1.7	ACROSS THE LINE	CONTINUOU S	B3	1.15/1.15	40	3300

FULL LOAD EFF: 76.5&75.5	3/4 LOAD EFF: 73.5	1/2 LOAD EFF: 67	GTD. EFF	ELEC. TYPE	NO LOAD AMPS
FULL LOAD PF: 72.5&72.5	3/4 LOAD PF: 63.5	1/2 LOAD PF: 51.5	72	SQ CAGE IND RUN	2.4 / 1.2

F.L. TORQUE	LOCKED ROTOR AMPS	L.R. TORQUE	B.D. TORQUE	F.L. RISE°C
3 LB-FT	22 / 11	11 LB-FT 367	12 LB-FT 400	55

SOUND PRESSURE @ 3 FT.	SOUND POWER	ROTOR WK^2	MAX. WK^2	SAFE STALL TIME	STARTS /HOUR	APPROX. MOTOR WGT
56 dBA	66 dBA	0.07 LB-FT^2	0 LB-FT^2	0 SEC.	0	0 LBS.

*** SUPPLEMENTAL INFORMATION ***

DE BRACKET TYPE	ODE BRACKET TYPE	MOUNT TYPE	ORIENTATION	SEVERE DUTY	HAZARDOUS LOCATION	DRIP COVER	SCREENS	PAINT
STANDARD	STANDARD	RESILIENT BASE	HORIZONTAL	FALSE	NONE	FALSE	NONE	GRAY (POWDER)

BEARINGS		GREASE	SHAFT TYPE	SPECIAL DE	SPECIAL ODE	SHAFT MATERIAL	FRAME MATERIAL
DE	OPE						
BALL	BALL	POLYREX EM	STANDARD 56	NONE	NONE	1144 STRESSPROOF (C-223)	ROLLED STEEL
6203	6203						

THERMO-PROTECTORS				THERMISTORS	CONTROL	SPACE /n HEATERS
THERMOSTATS	PROTECTORS	WDG RTDs	BRG RTDs			
NONE	AUTOMATIC	NONE	NONE	NONE	FALSE	NONE VOLTS

If Inverter equals NONE, contact factory for further information

*
N
O
T
E
S
*

INVERTER TORQUE: NONE
INV. HP SPEED RANGE: NONE
ENCODER: NONE
NONE NONE
NONE NONE PPR
BRAKE: NONE NONE
NONE P/N NONE
NONE NONE
NONE FT-LB NONE V NONE Hz

** Subject to change without notice.