

PRODUCT INFORMATION PACKET

Model No: 056T17D3301
Catalog No: K063
1,1725/1425,DP,56HZ,3/60/208-230/460
Open Drip Proof (ODP)



Regal and Marathon are trademarks of Regal Beloit Corporation or one of its affiliated companies.
©2018 Regal Beloit Corporation, All Rights Reserved. MC017097E



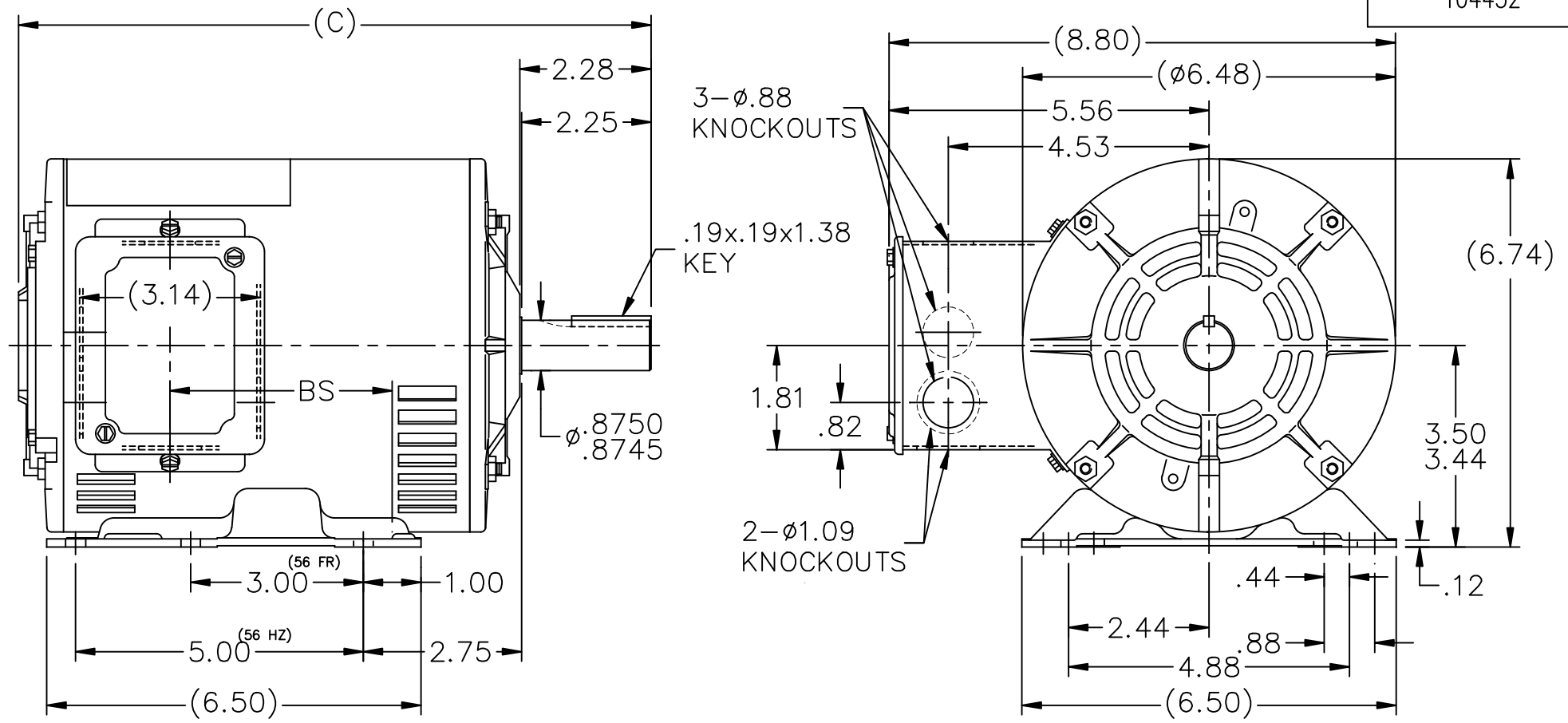
Nameplate Specifications

Output HP	1 Hp	Output KW	0.75 kW
Frequency	60 Hz	Voltage	208-230/460 V
Current	3.4-3.6/1.8 A	Speed	1725 rpm
Service Factor	1.15	Phase	3
Efficiency	77 %	Duty	Continuous
Insulation Class	B	Design Code	B
KVA Code	L	Frame	56HZ
Enclosure	Drip Proof	Overload Protector	Automatic
Ambient Temperature	40 °C	Drive End Bearing Size	6205
Opp Drive End Bearing Size	6205	UL	Recognized
CSA	Y	CE	Y
IP Code	22		

Technical Specifications

Electrical Type	Squirrel Cage Induction Run	Starting Method	Across The Line
Poles	4	Rotation	Reversible
Mounting	Rigid base	Motor Orientation	Horizontal
Drive End Bearing	Ball	Opp Drive End Bearing	Ball
Frame Material	Rolled Steel	Shaft Type	NEMA 145T
Overall Length	10.99 in	Frame Length	7.06 in
Shaft Diameter	0.625 in	Shaft Extension	2.28 in
Assembly/Box Mounting	F1 Only		
Outline Drawing	A-104452-706	Connection Diagram	A-EE7335

This is an uncontrolled document once printed or downloaded and is subject to change without notice. Date Created: 06/29/2018



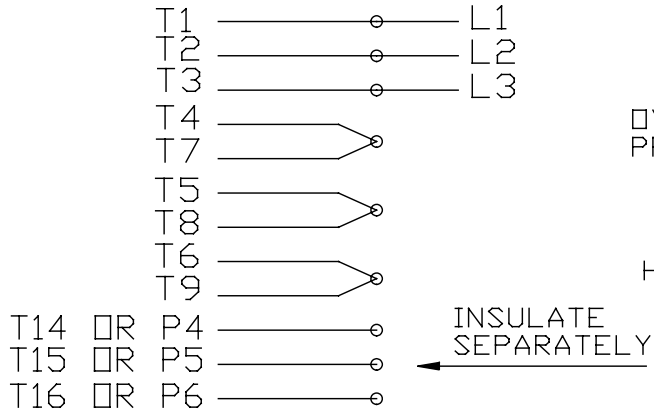
DASH	FR.	C	BS/140T	DASH	FR.	C	BS/140T
				806	56HZ	11.99	4.86
				856	"	12.49	5.36
706	56HZ	10.99	3.86	906	"	12.99	5.86
756	"	11.49	4.36	956	"	13.49	6.36

- NOTES:
 1. CONDUIT BOX CAN BE ROTATED 180°.
 2. NAMPLATE READ FROM CONDUIT BOX SIDE.

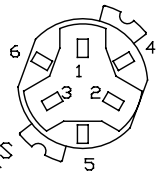
				TOLERANCES UNLESS SPECIFIED		MARATHON ELECTRIC	DRAWN MJD 05-18-1998				
				DEC.	INCHES		CHK	RJS	05-20-1998		
				.X	±.1	TITLE OUTLINE 56HZ - TS-DR. PR.-BB	APPD MRB 05-20-1998				
				.XX	±.02		SCALE 3=8				
				.XXX	±.005		REF				
				.XXXX	±.0005		FMF				
1	REM. 140T FROM OUTLINE ISAAC 11-0014			TJF 01-13-2011		MAT'L.	PREV				
NO.	REVISION			BY & DATE		FINISH					
THIS DRAWING IN DESIGN AND DETAIL IS OUR PROPERTY AND MUST NOT BE USED EXCEPT IN CONNECTION WITH OUR WORK ALL RIGHTS OF DESIGN AND INVENTION ARE RESERVED THIS IS AN ELECTRONICALLY GENERATED DOCUMENT - DO NOT SCALE THIS PRINT				RFP	CAD FILE 104452		SIZE	DRAWING NO.	PAGE	OF	REV.
				DIST	WP		A	104452			1

EE7335

HIGH VOLTAGE CONNECTIONS

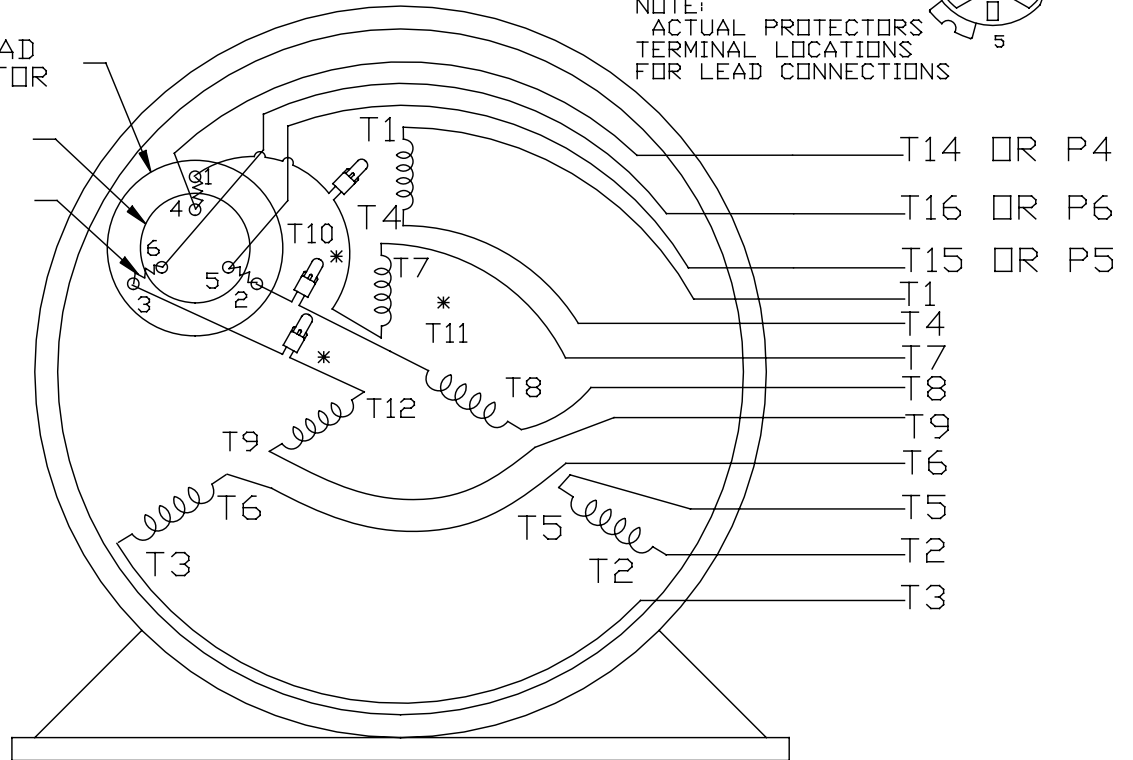


THREE PHASE - DUAL VOLTAGE MOTOR WITH OVERLOAD PROTECTOR

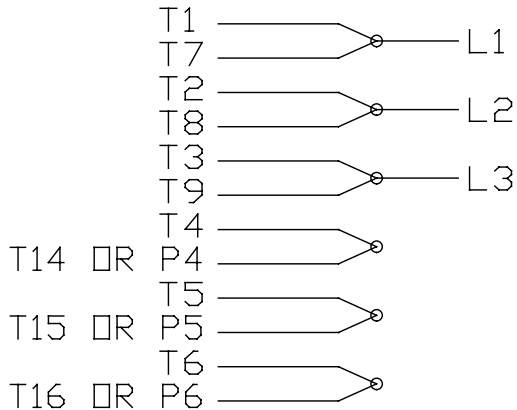


NOTE:
ACTUAL PROTECTORS
TERMINAL LOCATIONS
FOR LEAD CONNECTIONS

OVERLOAD
PROTECTOR
DISC
HEATER



LOW VOLTAGE CONNECTIONS



VIEW OF TERMINAL END

* USE PRESSURE CONNECTORS FOR MT2 PLANT ONLY

T2K
T4D
T6AN

NO.	REVISION	BY & DATE	CHK	TOLERANCES UNLESS SPECIFIED		FINISH	DRAWN	SCALE	REV.
				DEC.	INCHES				
17	CHANGED LOGO FROM MARATHON TO REGAL	KIR 02/16/16	AB	DEC.	INCHES	REGAL ™ Regal Beloit America, Inc.	KL 08-09-1993	1=1	17
16	PRESSURE CONNECTORS QUANTITY WAS 6	PVR 10/29/13	GR	.X	±.1		CHK ML 08/10/1993		
15	PRESSURE CONNECTORS ADDED	GR 03/04/13	SR	.XX	±.01	TITLE CONNECTION DIAGRAM	APPD GK 08/10/1993		
14	ADDED ACTUAL PROCECTOR VIEW CN 17481	KL 05/18/94		.XXX	±.005	3Ø-DUAL VOLT WITH OVERLOAD PROTECTO	REF		
13	REDRAWN IN AUTO CAD	KL 08/11/93		.XXXX	±.0005	MAT'L.	FMF		
				ANG	±1/2*		PREV		
THIS DRAWING IN DESIGN AND DETAIL IS OUR PROPERTY AND MUST NOT BE USED EXCEPT IN CONNECTION WITH OUR WORK ALL RIGHTS OF DESIGN AND INVENTION ARE RESERVED THIS IS AN ELECTRONICALLY GENERATED DOCUMENT - DO NOT SCALE THIS PRINT				RFP	CAD FILE	EE7335	SIZE	DRAWING NO.	REV.
				DIST			A	EE7335	17

** Subject to change without notice.