

# PRODUCT INFORMATION PACKET

Model No: 056T17E5308  
Catalog No: G646  
1/4, 1800, EPNV, 56, 3/60/208-230/460  
Explosion Proof



Regal and Marathon are trademarks of Regal Beloit Corporation or one of its affiliated companies.  
©2018 Regal Beloit Corporation, All Rights Reserved. MC017097E



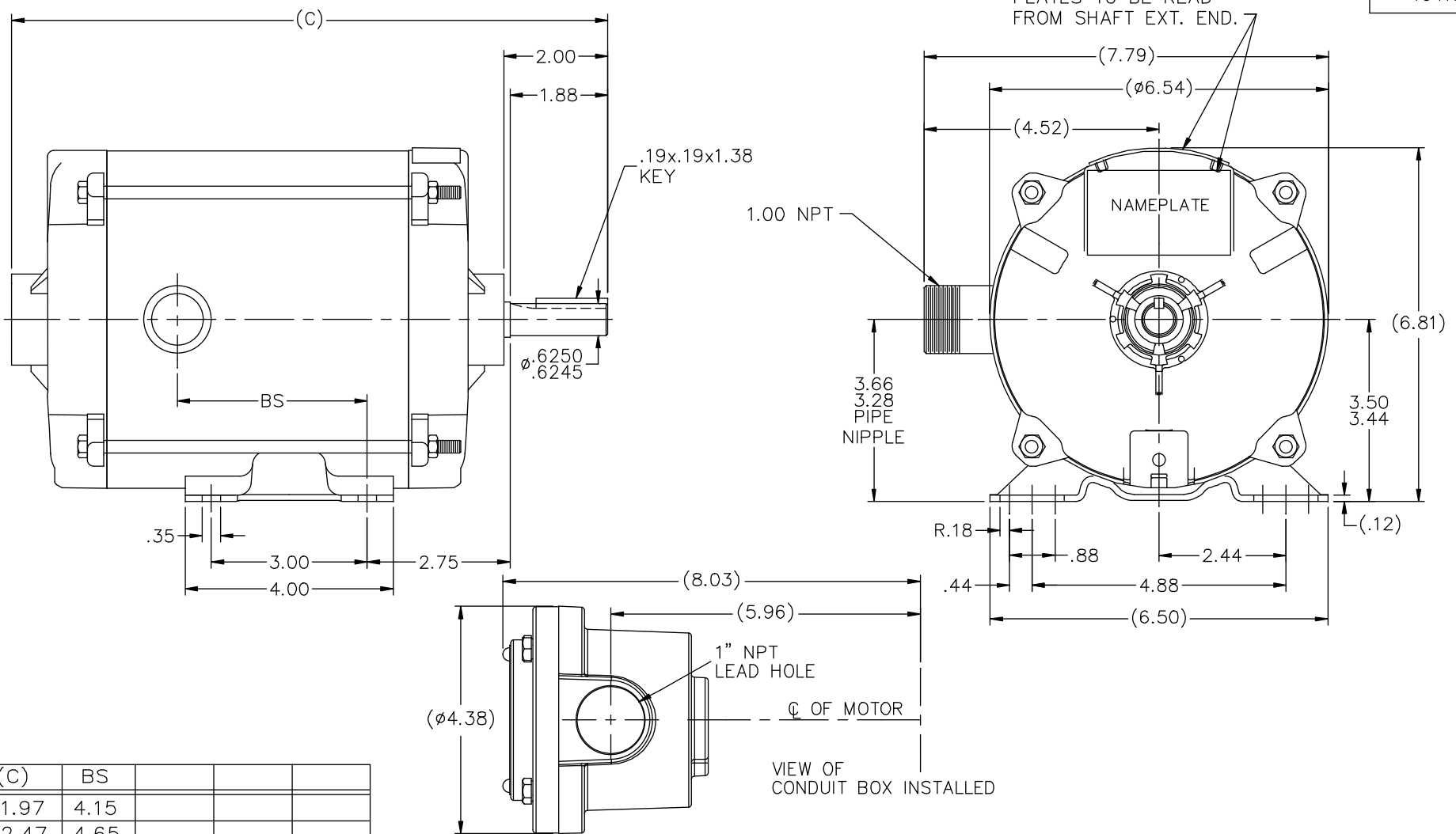
### Nameplate Specifications

|                            |                                       |                        |                      |
|----------------------------|---------------------------------------|------------------------|----------------------|
| Output HP                  | <b>0.25 Hp</b>                        | Output KW              | <b>0.19 kW</b>       |
| Frequency                  | <b>60 Hz</b>                          | Voltage                | <b>208-230/460 V</b> |
| Current                    | <b>1.1-1.1/0.55 A</b>                 | Speed                  | <b>1725 rpm</b>      |
| Service Factor             | <b>1</b>                              | Phase                  | <b>3</b>             |
| Efficiency                 | <b>75 %</b>                           | Duty                   | <b>Continuous</b>    |
| Insulation Class           | <b>B</b>                              | Design Code            | <b>B</b>             |
| KVA Code                   | <b>N</b>                              | Frame                  | <b>56</b>            |
| Enclosure                  | <b>Explosion Proof Non Ventilated</b> | Overload Protector     | <b>Automatic</b>     |
| Ambient Temperature        | <b>40 °C</b>                          | Drive End Bearing Size | <b>6203</b>          |
| Opp Drive End Bearing Size | <b>6203</b>                           | UL                     | <b>Recognized</b>    |
| CSA                        | <b>N</b>                              | CE                     | <b>N</b>             |
| IP Code                    | <b>54</b>                             |                        |                      |

### Technical Specifications

|                       |                                    |                       |                        |
|-----------------------|------------------------------------|-----------------------|------------------------|
| Electrical Type       | <b>Squirrel Cage Induction Run</b> | Starting Method       | <b>Across The Line</b> |
| Poles                 | <b>4</b>                           | Rotation              | <b>Reversible</b>      |
| Mounting              | <b>Rigid base</b>                  | Motor Orientation     | <b>Horizontal</b>      |
| Drive End Bearing     | <b>Ball</b>                        | Opp Drive End Bearing | <b>Ball</b>            |
| Frame Material        | <b>Rolled Steel</b>                | Shaft Type            | <b>NEMA 56</b>         |
| Overall Length        | <b>11.97 in</b>                    | Frame Length          | <b>6.31 in</b>         |
| Shaft Diameter        | <b>0.625 in</b>                    | Shaft Extension       | <b>2 in</b>            |
| Assembly/Box Mounting | <b>F1 Only</b>                     |                       |                        |
| Outline Drawing       | <b>B-104196-631</b>                | Connection Diagram    | <b>A-EE7335</b>        |

This is an uncontrolled document once printed or downloaded and is subject to change without notice. Date Created: 06/29/2018

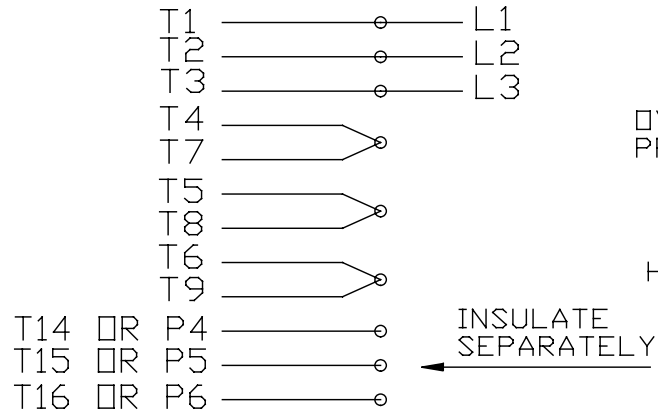


| DASH | (C)   | BS   |  |  |  |
|------|-------|------|--|--|--|
| 631  | 11.97 | 4.15 |  |  |  |
| 681  | 12.47 | 4.65 |  |  |  |
| 731  | 12.97 | 5.15 |  |  |  |
| 781  | 13.47 | 5.65 |  |  |  |
| 831  | 13.97 | 6.15 |  |  |  |
| 881  | 14.47 | 6.65 |  |  |  |
| 931  | 14.97 | 7.15 |  |  |  |
| 981  | 15.47 | 7.65 |  |  |  |

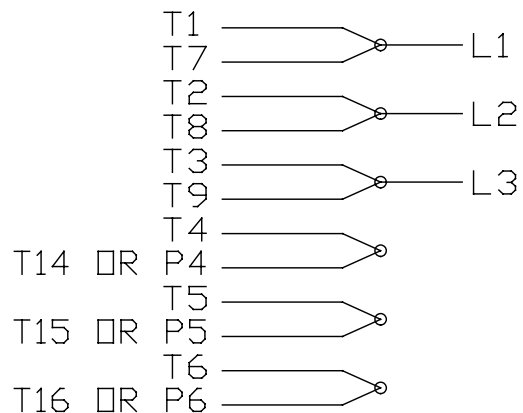
| NO.  | REVISION   | BY & DATE      | CHK | ANG   | FINISH | TOLERANCES UNLESS SPECIFIED |                 | MARATHON ELECTRIC                    | DRAWN MH 12-10-1996 |           |
|--|--|----------------|-----|-------|--------|-----------------------------|-----------------|--------------------------------------|---------------------|-----------|
|  |  |                |     |       |        | DEC.                        | INCHES          |                                      |                     |           |
| 5  | COND. BOX INSTALLED VIEW UPDATED PER ECR-0044571 | UD 10/15/13    | ST  |       |        |                             |                 |                                      | CHK ML 01-13-1997   |           |
| 4  | REVISED C'BOX PER CN40784A                       | JJB 02/23/2007 | ML  | .X    | ±.1    |                             |                 |                                      | APPD GK 01-13-1997  |           |
| 3  | REDRAWN IN AUTOCAD                               | TAT 06-28-2004 | ML  | .XX   | ±.03   |                             |                 | TITLE OUTLINE                        | SCALE 17=32         |           |
| 2  | ADDED CONDUIT BOX VIEW CN 26686                  | MRB 03-22-1999 |     | .XXX  | ±.005  |                             |                 | 56 FRAME - EXP. PR. - TENV - 1ø & 3ø | REF                 |           |
| 1  | NEW DRAWING CN 23099                             | MH 01-13-1997  |     | .XXXX | ±.0005 |                             |                 | MAT'L.                               | FMF                 |           |
| THIS DRAWING IN DESIGN AND DETAIL IS OUR PROPERTY AND MUST NOT BE USED EXCEPT IN CONNECTION WITH OUR WORK ALL RIGHTS OF DESIGN AND INVENTION ARE RESERVED THIS IS AN ELECTRONICALLY GENERATED DOCUMENT - DO NOT SCALE THIS PRINT |  |                |     |       |        | RFP                         | CAD FILE 104196 | SIZE B                               | DRAWING NO. 104196  | PAGE OF 5 |
|  |  |                |     |       |        | DIST WP                     |                 |                                      |                     | REV. 5    |

EE7335

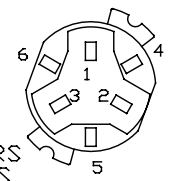
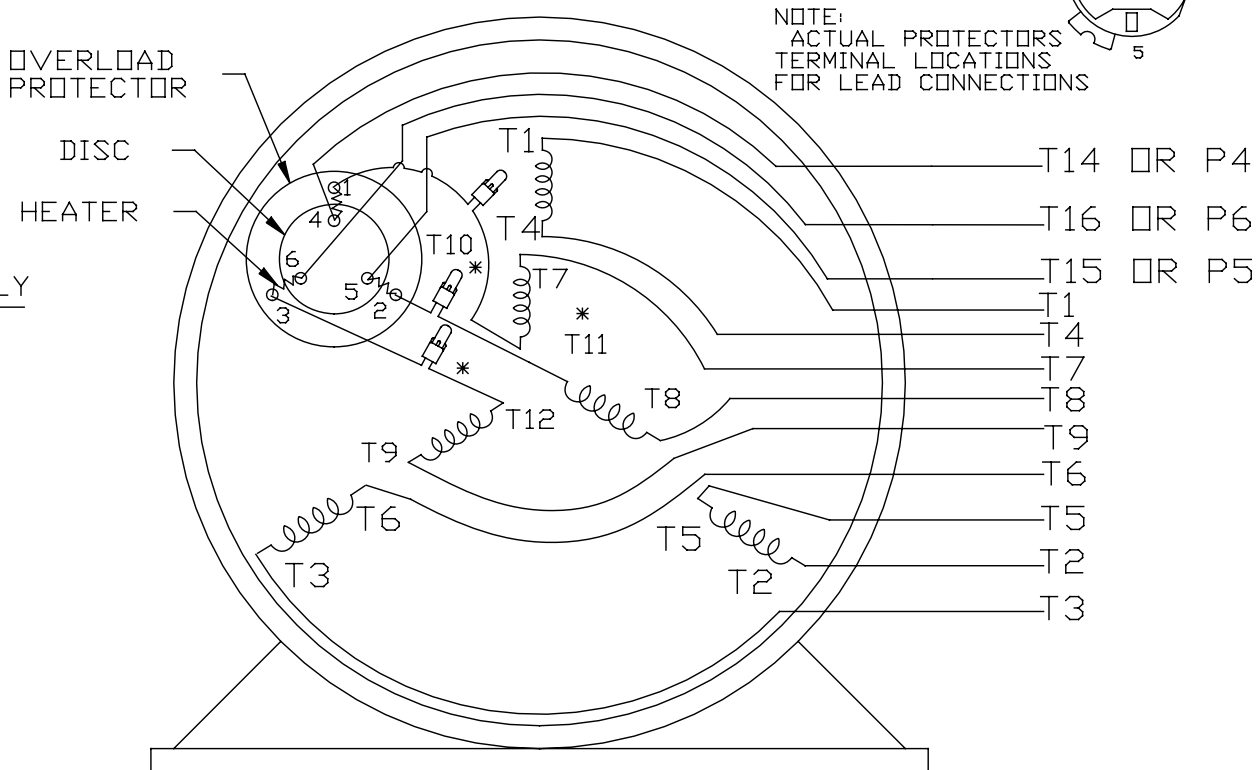
### HIGH VOLTAGE CONNECTIONS



### LOW VOLTAGE CONNECTIONS



### THREE PHASE - DUAL VOLTAGE MOTOR WITH OVERLOAD PROTECTOR



VIEW OF TERMINAL END

\* USE PRESSURE CONNECTORS FOR MT2 PLANT ONLY

|      |
|------|
| T2K  |
| T4D  |
| T6AN |

| NO. | REVISION                             | BY & DATE    | CHK | TOLERANCES UNLESS SPECIFIED |          | FINISH                              | DRAWN | SCALE       | REV.       |  |
|-----|--------------------------------------|--------------|-----|-----------------------------|----------|-------------------------------------|-------|-------------|------------|--|
|     |                                      |              |     | ANG                         | ±1/2*    |                                     |       |             |            |  |
| 17  | CHANGED LOGO FROM MARATHON TO REGAL  | KIR 02/16/16 | AB  | DEC.                        | INCHES   | <b>Regal Beloit America, Inc.</b>   | KL    | 08-09-1993  |            |  |
| 16  | PRESSURE CONNECTORS QUANTITY WAS 6   | PVR 10/29/13 | GR  | .X                          | ±.1      |                                     | CHK   | ML          | 08/10/1993 |  |
| 15  | PRESSURE CONNECTORS ADDED            | GR 03/04/13  | SR  | .XX                         | ±.01     |                                     | APPD  | GK          | 08/10/1993 |  |
| 14  | ADDED ACTUAL PROCECTOR VIEW CN 17481 | KL 05/18/94  |     | .XXX                        | ±.005    | TITLE                               |       | 1=1         |            |  |
| 13  | REDRAWN IN AUTO CAD                  | KL 08/11/93  |     | .XXXX                       | ±.0005   | 3Ø-DUAL VOLT WITH OVERLOAD PROTECTO |       |             | REF        |  |
|     |                                      |              |     |                             |          | MAT'L.                              |       |             | FMF        |  |
|     |                                      |              |     |                             |          | FINISH                              |       |             | PREV       |  |
|     |                                      |              |     | RFP                         | CAD FILE | EE7335                              | SIZE  | DRAWING NO. |            |  |
|     |                                      |              |     | DIST                        |          |                                     | A     | EE7335      | 17         |  |

THIS DRAWING IN DESIGN AND DETAIL IS OUR PROPERTY AND MUST NOT BE USED EXCEPT IN CONNECTION WITH OUR WORK ALL RIGHTS OF DESIGN AND INVENTION ARE RESERVED THIS IS AN ELECTRONICALLY GENERATED DOCUMENT - DO NOT SCALE THIS PRINT

