

PRODUCT INFORMATION PACKET

marathon[®]
Motors

Model No: 056T17E5309
Catalog No: G647
1/3,1800,EPNV,56,3/60/208-230/460
Explosion Proof



Regal and Marathon are trademarks of Regal Beloit Corporation or one of its affiliated companies.
©2018 Regal Beloit Corporation, All Rights Reserved. MC017097E

REGAL[®]



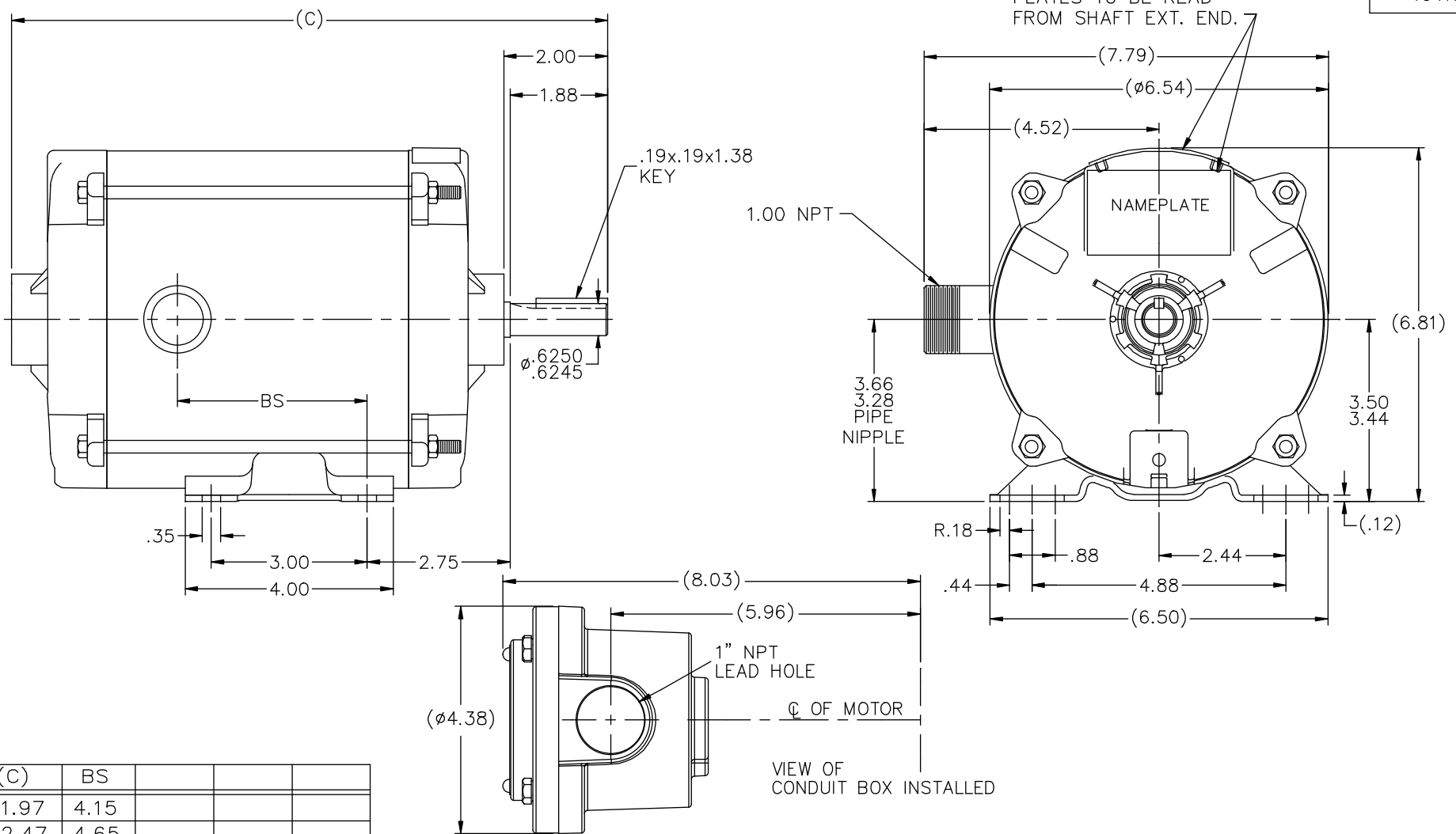
Nameplate Specifications

Output HP	0.33 Hp	Output KW	0.25 kW
Frequency	60 Hz	Voltage	208-230/460 V
Current	1.2-1.2/0.60 A	Speed	1725 rpm
Service Factor	1	Phase	3
Efficiency	74.5 %	Duty	Continuous
Insulation Class	B	Design Code	B
KVA Code	K	Frame	56
Enclosure	Explosion Proof Non Ventilated	Overload Protector	Automatic
Ambient Temperature	40 °C	Drive End Bearing Size	6203
Opp Drive End Bearing Size	6203	UL	Recognized
CSA	N	CE	N
IP Code	54		

Technical Specifications

Electrical Type	Squirrel Cage Induction Run	Starting Method	Across The Line
Poles	4	Rotation	Reversible
Mounting	Rigid base	Motor Orientation	Horizontal
Drive End Bearing	Ball	Opp Drive End Bearing	Ball
Frame Material	Rolled Steel	Shaft Type	NEMA 56
Overall Length	11.97 in	Frame Length	6.31 in
Shaft Diameter	0.625 in	Shaft Extension	2 in
Assembly/Box Mounting	F1 Only		
Outline Drawing	B-104196-631	Connection Diagram	A-EE7335

This is an uncontrolled document once printed or downloaded and is subject to change without notice. Date Created: 06/29/2018

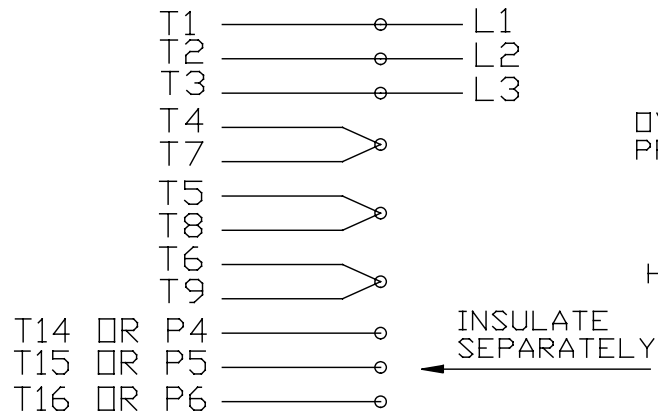


DASH	(C)	BS		
631	11.97	4.15		
681	12.47	4.65		
731	12.97	5.15		
781	13.47	5.65		
831	13.97	6.15		
881	14.47	6.65		
931	14.97	7.15		
981	15.47	7.65		

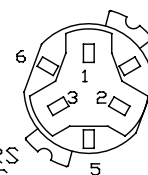
NO.	REVISION	BY & DATE	CHK	ANG	TOLERANCES UNLESS SPECIFIED	INCHES	MARATHON ELECTRIC	DRAWN MH 12-10-1996			
									DEC.		
5	COND. BOX INSTALLED VIEW UPDATED PER ECR-0044571	UD 10/15/13	ST					CHK ML 01-13-1997			
4	REVISED C'BOX PER CN40784A	JJB 02/23/2007	ML	.X	±.1			APPD GK 01-13-1997			
3	REDRAWN IN AUTOCAD	TAT 06-28-2004	ML	.XX	±.03		TITLE OUTLINE	SCALE 17=32			
2	ADDED CONDUIT BOX VIEW CN 26686	MRB 03-22-1999		.XXX	±.005		56 FRAME - EXP. PR. - TENV - 1ø & 3ø	REF			
1	NEW DRAWING CN 23099	MH 01-13-1997		.XXXX	±.0005		MAT'L.	FMF			
THIS DRAWING IN DESIGN AND DETAIL IS OUR PROPERTY AND MUST NOT BE USED EXCEPT IN CONNECTION WITH OUR WORK ALL RIGHTS OF DESIGN AND INVENTION ARE RESERVED THIS IS AN ELECTRONICALLY GENERATED DOCUMENT - DO NOT SCALE THIS PRINT						RFP	CAD FILE 104196	SIZE B	DRAWING NO. 104196	PAGE OF 5	REV. 5

EE7335

HIGH VOLTAGE CONNECTIONS

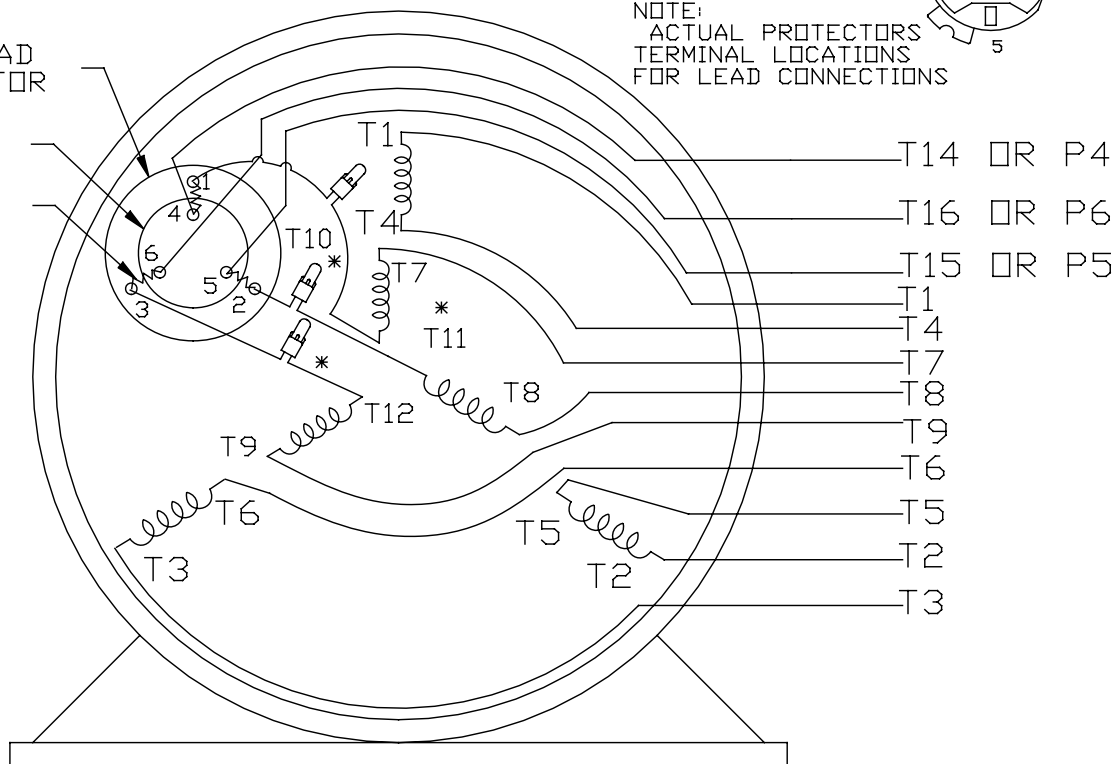


THREE PHASE - DUAL VOLTAGE MOTOR WITH OVERLOAD PROTECTOR



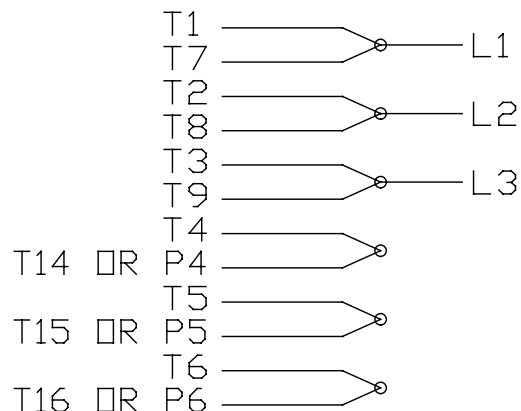
NOTE:
 ACTUAL PROTECTORS
 TERMINAL LOCATIONS
 FOR LEAD CONNECTIONS

OVERLOAD
 PROTECTOR
 DISC
 HEATER



VIEW OF TERMINAL END

LOW VOLTAGE CONNECTIONS



T2K
T4D
T6AN

* USE PRESSURE CONNECTORS FOR MT2 PLANT ONLY

NO.	REVISION	BY & DATE	CHK	TOLERANCES UNLESS SPECIFIED		FINISH	DRAWN	SCALE	REV.								
				DEC.	INCHES												
17	CHANGED LOGO FROM MARATHON TO REGAL	KIR 02/16/16	AB	DEC.	INCHES	Regal Beloit America, Inc.	KL 08-09-1993	1=1									
16	PRESSURE CONNECTORS QUANTITY WAS 6	PVR 10/29/13	GR	.X	±.1		CHK ML 08/10/1993										
15	PRESSURE CONNECTORS ADDED	GR 03/04/13	SR	.XX	±.01	TITLE CONNECTION DIAGRAM	APPD GK 08/10/1993										
14	ADDED ACTUAL PROCECTOR VIEW CN 17481	KL 05/18/94		.XXX	±.005	3Ø-DUAL VOLT WITH OVERLOAD PROTECTO		REF									
13	REDRAWN IN AUTO CAD	KL 08/11/93		.XXXX	±.0005	MAT'L.		FMF									
<table border="1" style="width: 100%; border-collapse: collapse;"> <tr> <td style="width: 33%;">RFP</td> <td style="width: 33%;">CAD FILE</td> <td style="width: 33%;">EE7335</td> </tr> <tr> <td>DIST</td> <td>SIZE</td> <td>DRAWING NO.</td> </tr> <tr> <td></td> <td>A</td> <td>EE7335</td> </tr> </table>							RFP	CAD FILE	EE7335	DIST	SIZE	DRAWING NO.		A	EE7335	PREV	
RFP	CAD FILE	EE7335															
DIST	SIZE	DRAWING NO.															
	A	EE7335															

THIS DRAWING IN DESIGN AND DETAIL IS OUR PROPERTY AND MUST NOT BE USED EXCEPT IN CONNECTION WITH OUR WORK ALL RIGHTS OF DESIGN AND INVENTION ARE RESERVED THIS IS AN ELECTRONICALLY GENERATED DOCUMENT - DO NOT SCALE THIS PRINT

CERTIFICATION DATA SHEET

Model#: 56T17E5309 E WINDING#: ZT493 R6 3
 CONN. DIAGRAM: A-EE7335 ASSEMBLY: F1 ONLY
 OUTLINE: B-104196-631

TYPICAL MOTOR PERFORMANCE DATA

HP	KW	SYNC. RPM	F.L. RPM	FRAME	ENCLOSURE	KVA CODE	DESIGN
1/3	.25	1800	1725	56	EPNV	K	B

PH	Hz	VOLTS	FL AMPS	START TYPE	DUTY	INSL	S.F	AMB°C	ELEVATION
3	60	208-230/460	1.2-1.2/6	ACROSS THE LINE	CONTINUOUS	B3	1.0	40	3300

FULL LOAD EFF: 74.5	3/4 LOAD EFF: 72.5	1/2 LOAD EFF: 67.5	GTD. EFF	ELEC. TYPE	NO LOAD AMPS
FULL LOAD PF: 71	3/4 LOAD PF: 64	1/2 LOAD PF: 52	71.5	SQ CAGE IND RUN	.8 / .4

F.L. TORQUE	LOCKED ROTOR AMPS	L.R. TORQUE	B.D. TORQUE	F.L. RISE°C
1 LB-FT	7.2 / 3.6	3 LB-FT 300	3.75 LB-FT 375	45

SOUND PRESSURE @ 3 FT.	SOUND POWER	ROTOR WK^2	MAX. WK^2	SAFE STALL TIME	STARTS / HOUR	APPROX. MOTOR WGT
60 dBA	70 dBA	0.038 LB-FT^2	2 LB-FT^2	15 SEC.	2	21 LBS.

*** SUPPLEMENTAL INFORMATION ***

DE BRACKET TYPE	ODE BRACKET TYPE	MOUNT TYPE	ORIENTATION	SEVERE DUTY	HAZARDOUS LOCATION	DRIP COVER	SCREENS	PAINT
STANDARD	STANDARD	RIGID	HORIZONTAL	FALSE	EXP PROOF CL I GR C&D CL II GR F&G T3B	FALSE	NONE	GRAY (POWDER)

BEARINGS		GREASE	SHAFT TYPE	SPECIAL DE	SPECIAL ODE	SHAFT MATERIAL	FRAME MATERIAL
DE	OPE						
BALL	BALL	POLYREX EM	STANDARD 56	NONE	NONE	1144 STRESSPROOF (C-223)	ROLLED STEEL
6203	6203						

THERMO-PROTECTORS				THERMISTORS	CONTROL	SPACE /n HEATERS
THERMOSTATS	PROTECTORS	WDG RTDs	BRG RTDs			
NONE	AUTOMATIC	NONE	NONE	NONE	FALSE	NONE VOLTS

If Inverter equals NONE, contact factory for further information

INVERTER TORQUE: NONE
INV. HP SPEED RANGE: NONE
ENCODER: NONE
NONE NONE
NONE NONE PPR
BRAKE: NONE NONE
NONE P/N NONE
NONE NONE
NONE FT-LB NONE V NONE Hz

*
N
O
T
E
S
*