

PRODUCT INFORMATION PACKET

Model No: 056T17E5311
Catalog No: G828
1/3,1800,EPNV,56C,3/60/208-230/460
Explosion Proof



Regal and Marathon are trademarks of Regal Beloit Corporation or one of its affiliated companies.
©2018 Regal Beloit Corporation, All Rights Reserved. MC017097E





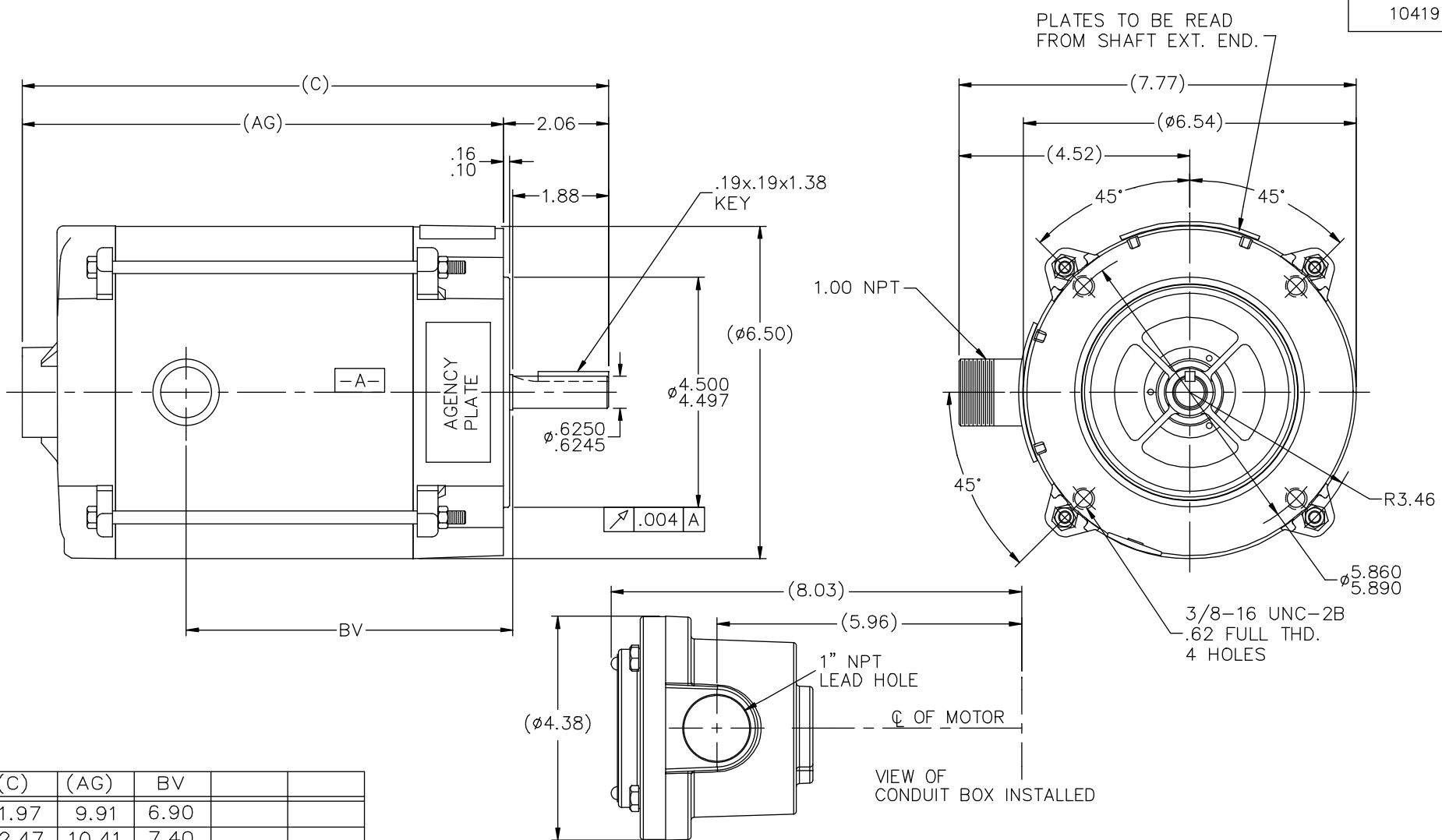
Nameplate Specifications

Output HP	0.33 Hp	Output KW	0.25 kW
Frequency	60 Hz	Voltage	208-230/460 V
Current	1.2-1.2/0.60 A	Speed	1725 rpm
Service Factor	1	Phase	3
Efficiency	74.5 %	Duty	Continuous
Insulation Class	B	Design Code	B
KVA Code	K	Frame	56C
Enclosure	Explosion Proof Non Ventilated	Overload Protector	Automatic
Ambient Temperature	40 °C	Drive End Bearing Size	6203
Opp Drive End Bearing Size	6203	UL	Recognized
CSA	N	CE	N
IP Code	54		

Technical Specifications

Electrical Type	Squirrel Cage Induction Run	Starting Method	Across The Line
Poles	4	Rotation	Reversible
Mounting	Round	Motor Orientation	Horizontal
Drive End Bearing	Ball	Opp Drive End Bearing	Ball
Frame Material	Rolled Steel	Shaft Type	T
Overall Length	11.97 in	Frame Length	6.31 in
Shaft Diameter	0.625 in	Shaft Extension	2.06 in
Assembly/Box Mounting	F1 Only		
Outline Drawing	B-104197-631	Connection Diagram	A-EE7335

This is an uncontrolled document once printed or downloaded and is subject to change without notice. Date Created: 07/02/2018

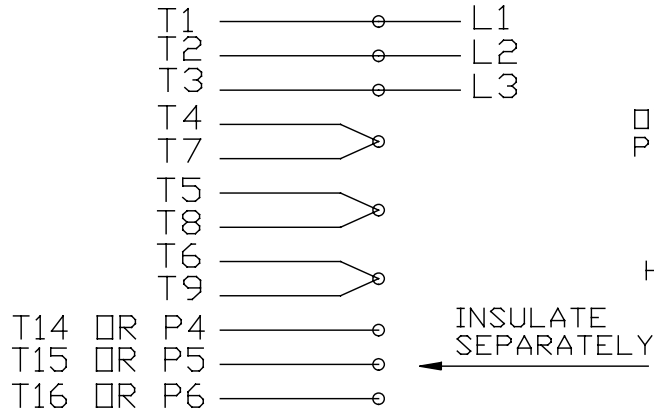


DASH	(C)	(AG)	BV		
631	11.97	9.91	6.90		
681	12.47	10.41	7.40		
731	12.97	10.91	7.90		
781	13.47	11.41	8.40		
831	13.97	11.91	8.90		
881	14.47	12.41	9.40		
931	14.97	12.91	9.90		
981	15.47	13.41	10.40		

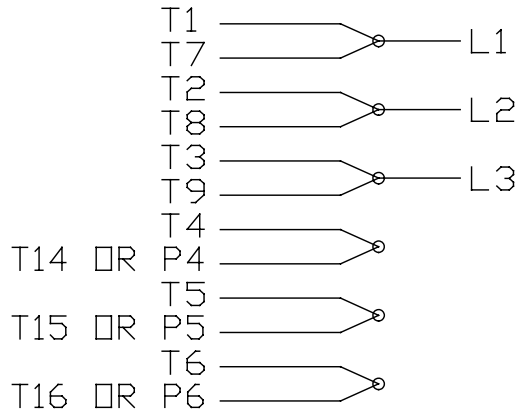
NO.	REVISION	BY & DATE	CHK	ANG	FINISH	TOLERANCES UNLESS SPECIFIED		MARATHON ELECTRIC	DRAWN MH 12-10-1996		
						ML	INCHES				
7	CONDUIT BOX INSTALLED VIEW UPDATED	UD 10/08/13	ST						CHK ML 01-13-1997		
6	REVISED C'BOX PER CN40784A	JJB 02/23/2007	ML	DEC.					APPD GK 01-13-1997		
5	ADDED DIMENSION φ5.860/5.890	RJW 06-29-2005	ML	.X	±.1				SCALE 17=32		
4	REDRAWN IN AUTOCAD	TAT 06-28-2004	ML	.XX	±.03			TITLE OUTLINE - 'C' FACE	REF		
3	ADDED CONDUIT BOX VIEW CN 26686	MRB 03-22-1999		.XXX	±.005			56 FR. - EXP. PR.	FMF		
2	REMOVED "FLAT" FROM SHAFT EXT. CN 25600-292	MRB 07-21-1998		.XXXX	±.0005			MAT'L.	PREV		
THIS DRAWING IN DESIGN AND DETAIL IS OUR PROPERTY AND MUST NOT BE USED EXCEPT IN CONNECTION WITH OUR WORK ALL RIGHTS OF DESIGN AND INVENTION ARE RESERVED THIS IS AN ELECTRONICALLY GENERATED DOCUMENT - DO NOT SCALE THIS PRINT						RFP	CAD FILE 104197	SIZE B	DRAWING NO. 104197	PAGE OF 7	REV. 7

EE7335

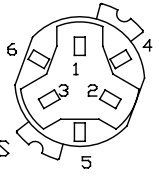
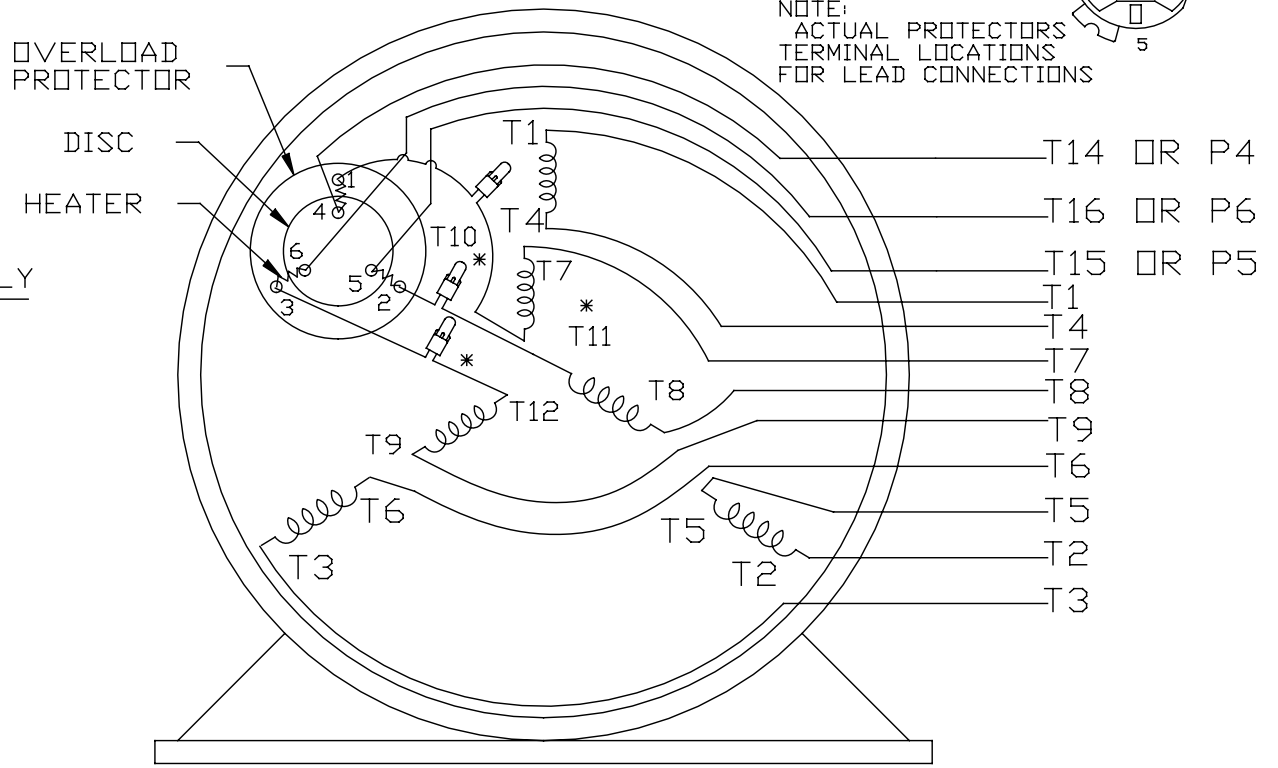
HIGH VOLTAGE CONNECTIONS



LOW VOLTAGE CONNECTIONS



THREE PHASE - DUAL VOLTAGE MOTOR WITH OVERLOAD PROTECTOR



VIEW OF TERMINAL END

* USE PRESSURE CONNECTORS FOR MT2 PLANT ONLY

T2K
T4D
T6AN

NO.	REVISION	BY & DATE	CHK	TOLERANCES UNLESS SPECIFIED		FINISH	DRAWN	SCALE	REV.
				DEC.	INCHES				
17	CHANGED LOGO FROM MARATHON TO REGAL	KIR 02/16/16	AB	DEC.	INCHES	Regal Beloit America, Inc.	KL	08-09-1993	17
16	PRESSURE CONNECTORS QUANTITY WAS 6	PVR 10/29/13	GR	.X	±.1		CHK	ML	08/10/1993
15	PRESSURE CONNECTORS ADDED	GR 03/04/13	SR	.XX	±.01		APPD	GK	08/10/1993
14	ADDED ACTUAL PROECTOR VIEW CN 17481	KL 05/18/94		.XXX	±.005		TITLE		1=1
13	REDRAWN IN AUTO CAD	KL 08/11/93		.XXXX	±.0005		3Ø-DUAL VOLT WITH OVERLOAD PROTECTO	REF	
				ANG	±1/2*	MAT'L.	FMF		
				RFP		FINISH	PREV		
THIS DRAWING IN DESIGN AND DETAIL IS OUR PROPERTY AND MUST NOT BE USED EXCEPT IN CONNECTION WITH OUR WORK ALL RIGHTS OF DESIGN AND INVENTION ARE RESERVED THIS IS AN ELECTRONICALLY GENERATED DOCUMENT - DO NOT SCALE THIS PRINT						CAD FILE	EE7335	SIZE	DRAWING NO.
						DIST		A	EE7335

