

# PRODUCT INFORMATION PACKET

Model No: 056T17F5322  
Catalog No: G582  
3/4, 1725, TEFC, 56C, 3/60/208-230/460  
Totally Enclosed Fan Cooled (TEFC)



Regal and Marathon are trademarks of Regal Beloit Corporation or one of its affiliated companies.  
©2018 Regal Beloit Corporation, All Rights Reserved. MC017097E





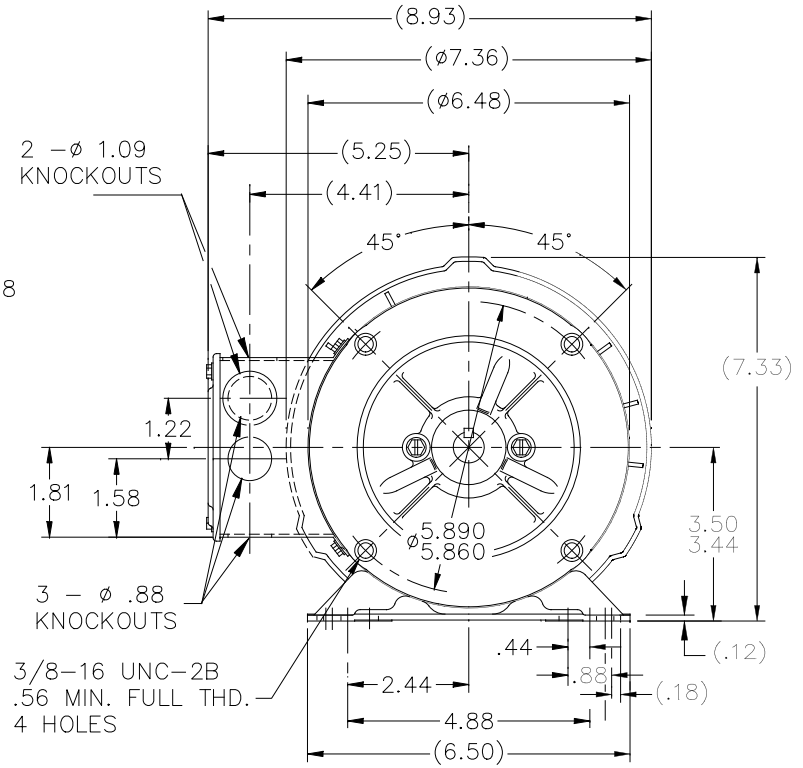
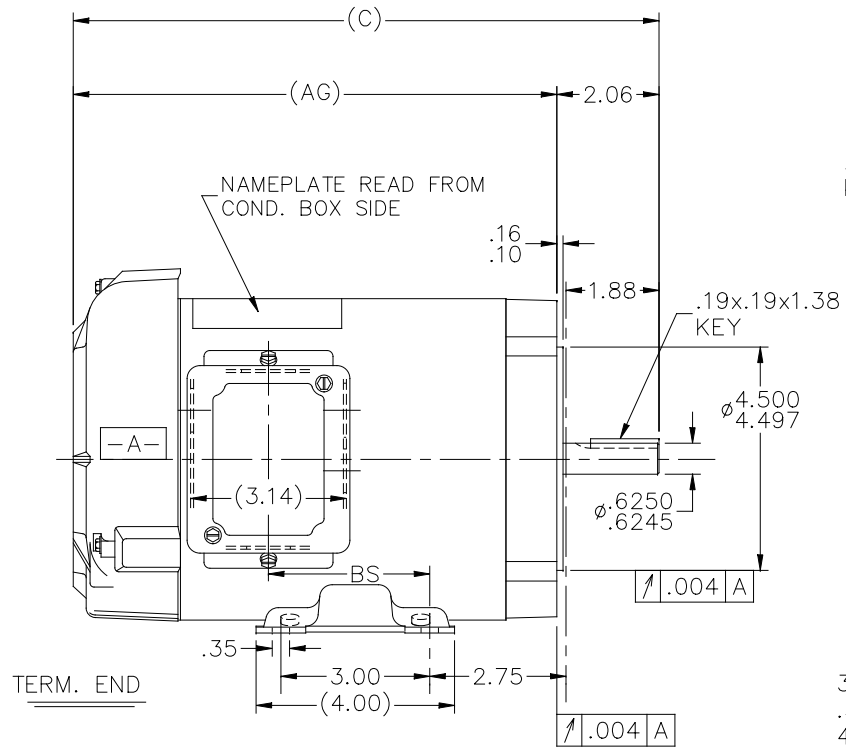
### Nameplate Specifications

Output HP	<b>0.75 Hp</b>	Output KW	<b>0.56 kW</b>
Frequency	<b>60 Hz</b>	Voltage	<b>208-230/460 V</b>
Current	<b>2.9-3.0/1.5 A</b>	Speed	<b>1725 rpm</b>
Service Factor	<b>1.15</b>	Phase	<b>3</b>
Efficiency	<b>75.5 %</b>	Duty	<b>Continuous</b>
Insulation Class	<b>F</b>	Design Code	<b>B</b>
KVA Code	<b>L</b>	Frame	<b>56C</b>
Enclosure	<b>Totally Enclosed Fan Cooled</b>	Overload Protector	<b>No</b>
Ambient Temperature	<b>40 °C</b>	Drive End Bearing Size	<b>6203</b>
Opp Drive End Bearing Size	<b>6203</b>	UL	<b>Recognized</b>
CSA	<b>Y</b>	CE	<b>Y</b>
IP Code	<b>43</b>		

### Technical Specifications

Electrical Type	<b>Squirrel Cage Induction Run</b>	Starting Method	<b>Across The Line</b>
Poles	<b>4</b>	Rotation	<b>Reversible</b>
Mounting	<b>Bolt-on Base</b>	Motor Orientation	<b>Horizontal Or Up Or Down</b>
Drive End Bearing	<b>Ball</b>	Opp Drive End Bearing	<b>Ball</b>
Frame Material	<b>Rolled Steel</b>	Shaft Type	<b>NEMA 56</b>
Overall Length	<b>11.81 in</b>	Frame Length	<b>6.56 in</b>
Shaft Diameter	<b>0.625 in</b>	Shaft Extension	<b>2.06 in</b>
Assembly/Box Mounting	<b>F1 Only</b>		
Outline Drawing	<b>A-100141-656</b>	Connection Diagram	<b>A-EE7308</b>

This is an uncontrolled document once printed or downloaded and is subject to change without notice. Date Created: 06/29/2018



NOTES: CONDUIT BOX CAN BE ROTATED 180° REMOVABLE BASE

DASH	C	AG	BS	DASH	C	AG	BS
606	11.31	9.25	2.75	756	12.81	10.75	4.25
656	11.81	9.75	3.25	806	13.31	11.25	4.75
706	12.31	10.25	3.75	856	13.81	11.75	5.25

NO.	REVISION	BY & DATE	CHK	ANG	FINISH	TOLERANCES UNLESS SPECIFIED		DRAWN BLR 05-27-1997			
						DEC.	INCHES				
7	ADDED 806 DASH NUMBER	PVR 05-19-2016	.XX	±.03	TITLE OUTLINE	.X	±.1	CHK ML 05-27-1997			
6	REDRAWN IN AUTOCAD	TAT 06-29-2004	ML	.XXX	56 FR - BB - TEFC - 'C' FACE	.XX	±.005	APPD GK 05-27-1997			
5	REDRAWN ON CADD	BLR 05-27-1997		.XXXX	MAT'L.	.XXX	±.0005	SCALE 5=16			
						.XXXX	±.0005	REF			
						ANG	±'30"	FMF			
								PREV			
THIS DRAWING IN DESIGN AND DETAIL IS OUR PROPERTY AND MUST NOT BE USED EXCEPT IN CONNECTION WITH OUR WORK ALL RIGHTS OF DESIGN AND INVENTION ARE RESERVED THIS IS AN ELECTRONICALLY GENERATED DOCUMENT - DO NOT SCALE THIS PRINT						RFP	CAD FILE 100141	SIZE A	DRAWING NO. 100141	PAGE OF	REV. 7
						DIST WP					

EE7308

THREE PHASE  
DUAL VOLTAGE MOTOR



VIEW OF TERMINAL END

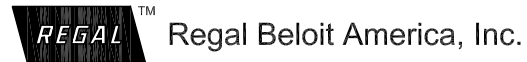
REF.  
WINDING DIAGRAM

T8Y, T2Y, T2BL, T4BX, T2EC, T2G  
T6BZ, T2B, T6BL, T4AV, T6B, T4B

OPTIONAL CORD  
CONNECTION

L1 — WHITE  
L2 — RED  
L3 — BLACK

NO.	REVISION	BY & DATE	CHK	ANG	TOLERANCES UNLESS SPECIFIED		FINISH	DRAWN RM 11/20/1990				
					DEC.	INCHES						
5	CHG TO REGAL LOGO	SL 09/10/2015	AB					CHK ML 11/21/1990				
4	REVISED IEC NOTATIONS	MSG 11/15/2011	CMN	.X	±.1			APPD SAS 04/24/2003				
3	ADDED IEC NOTATIONS... (U1), (V1) ETC. MU95194	MSG 5/10/2010	MJS	.XX	±.02		TITLE CONNECTION DIAGRAM	SCALE 1=1				
2	ADDED THE OPTIONAL CORD CONNECTION MU46318	RDH 04/24/2003	DRS	.XXX	±.005		3Ø - DUAL VOLTAGE MOTOR	REF				
1	REDRAWN	RM 11/20/1990		.XXXX	±.0005		MAT'L.	FMF				
					±7'30"			PREV				
THIS DRAWING IN DESIGN AND DETAIL IS OUR PROPERTY AND MUST NOT BE USED EXCEPT IN CONNECTION WITH OUR WORK ALL RIGHTS OF DESIGN AND INVENTION ARE RESERVED THIS IS AN ELECTRONICALLY GENERATED DOCUMENT - DO NOT SCALE THIS PRINT							RFP	CAD FILE ee7308	SIZE A	DRAWING NO. EE7308	PAGE OF 5	REV. 5
							DIST WP					



**CERTIFICATION DATA SHEET**

**Model#:** 56T17F5322 J **WINDING#:** ZT411 FR 3  
**CONN. DIAGRAM:** A-EE7308 **ASSEMBLY:** F1 ONLY  
**OUTLINE:** A-100141-656

**TYPICAL MOTOR PERFORMANCE DATA**

HP	KW	SYNC. RPM	F.L. RPM	FRAME	ENCLOSURE	KVA CODE	DESIGN
3/4&1/2	.56&.37	1800	1725&1425	56C	TEFC	L	B

PH	Hz	VOLTS	FL AMPS	START TYPE	DUTY	INSL	S.F	AMB°C	ELEVATION
3	60/50	208-230/460#190/380	2.9-3/1.5&2.7/1.35	ACROSS THE LINE	CONTINUOUS	F3	1.15/1.15	40	3300

FULL LOAD EFF: 75.5&75.5	3/4 LOAD EFF: 74.5	1/2 LOAD EFF: 71	GTD. EFF	ELEC. TYPE	NO LOAD AMPS
FULL LOAD PF: 66.3&60	3/4 LOAD PF: 57	1/2 LOAD PF: 45.5	72	SQ CAGE IND RUN	2 / 1

F.L. TORQUE	LOCKED ROTOR AMPS	L.R. TORQUE	B.D. TORQUE	F.L. RISE°C
2.28 LB-FT	19.6 / 9.8	8.2 LB-FT 360	10 LB-FT 439	45

SOUND PRESSURE @ 3 FT.	SOUND POWER	ROTOR WK^2	MAX. WK^2	SAFE STALL TIME	STARTS /HOUR	APPROX. MOTOR WGT
62 dBA	72 dBA	0.07 LB-FT^2	5 LB-FT^2	12 SEC.	2	25 LBS.

**\*\*\* SUPPLEMENTAL INFORMATION \*\*\***

DE BRACKET TYPE	ODE BRACKET TYPE	MOUNT TYPE	ORIENTATION	SEVERE DUTY	HAZARDOUS LOCATION	DRIP COVER	SCREENS	PAINT
C-FACE	BRAKE	BOLT-ON	HORIZONTAL OR UP OR DOWN	FALSE	NONE	PROVISIONS ONLY	NONE	GRAY (POWDER)

BEARINGS		GREASE	SHAFT TYPE	SPECIAL DE	SPECIAL ODE	SHAFT MATERIAL	FRAME MATERIAL
DE	OPE						
BALL	BALL	POLYREX EM	STANDARD 56	NONE	NONE	1144 STRESSPROOF (C-223)	ROLLED STEEL
6203	6203						

THERMO-PROTECTORS				THERMISTORS	CONTROL	SPACE /n HEATERS
THERMOSTATS	PROTECTORS	WDG RTDs	BRG RTDs			
NONE	NOT	NONE	NONE	NONE	FALSE	NONE VOLTS

If Inverter equals NONE, contact factory for further information

\*  
N  
O  
T  
E  
S  
\*

INVERTER TORQUE: NONE
INV. HP SPEED RANGE: NONE
ENCODER: NONE
NONE NONE
NONE NONE PPR
BRAKE: PROVISIONS FOR KIT NONE
NONE P/N NONE
NONE NONE
NONE FT-LB NONE V NONE Hz

FORM 3531 REV.3 02/07/99

\*\* Subject to change without notice.



Submital

Data @ 460 V

Date: 8/30/2017  
 Customer:   
 Attention:   
 Submitted by: VINAYAK VERARTE

Motor Load Data

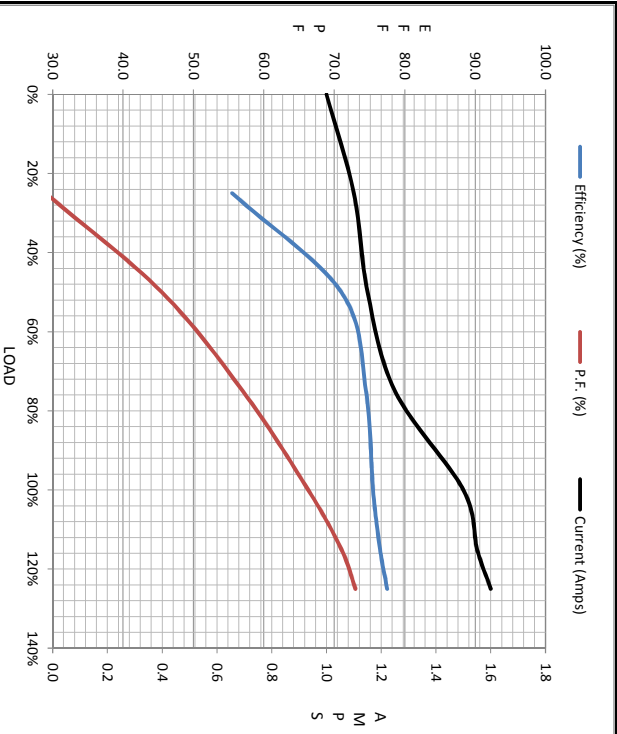
Load	0%	25%	50%	75%	100%	115%	125%	LR
Current (Amps)	1.00	1.10	1.15	1.25	1.50	1.55	1.60	9.8
Torque (ft-lb)	0.00	0.52	1.10	1.70	2.28	2.60	2.80	8.2
RPM	1800	1785	1770	1750	1725	1,722	1720	0
Efficiency (%)		55.5	71.0	74.5	75.5	76.5	77.5	
P.F. (%)	11.5	29.0	45.5	57.0	66.3	71.0	73.0	75.0

Motor Speed Data

	LR	Pull-Up	BD	Rated	Idle
Speed (RPM)	0	750	1230	1725	1800
Current (Amps)	9.8	8.4	6.0	1.50	1.00
Torque (ft-lb)	8.2	7.4	10.0	2.28	0.00

Information Block

HP	0.8			
Sync. RPM	1800			
Frame	56			
Enclosure	TEFC			
Construction	TFR			
Voltage	208-230/460#190/380 V			
Frequency	60 Hz			
Design	B			
LR Code letter	L			
Service Factor	1.15			
Temp Rise @ FL	45 °C			
Duty	CONT			
Ambient	40 °C			
Elevation	1,000 feet			
Rotor/Shaft wkt	0.07 Lb-Ft²			
Ref Wdg	ZT411 FR			
Sound Pressure @ 1M	62 dBA			
VFD Rating	NONE			
Outline Dwg	A-100141-656			
Conn. Diag	A-EE7308			
Additional Specifications:				
0				
R1	R2	X1	X2	Xm
0.0000	0.0000	0.0000	0.0000	0.0000



Speed -Torque Curve

