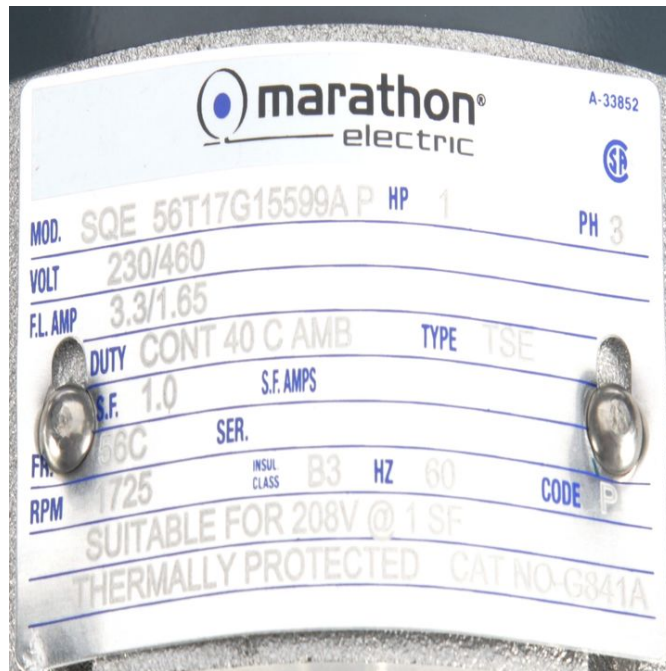


PRODUCT INFORMATION PACKET

Model No: 056T17G15599
Catalog No: G841A
1,1800,EPFC,56C,3/60/230/460
Explosion Proof



Regal and Marathon are trademarks of Regal Beloit Corporation or one of its affiliated companies.

©2018 Regal Beloit Corporation, All Rights Reserved. MC017097E



Nameplate Specifications

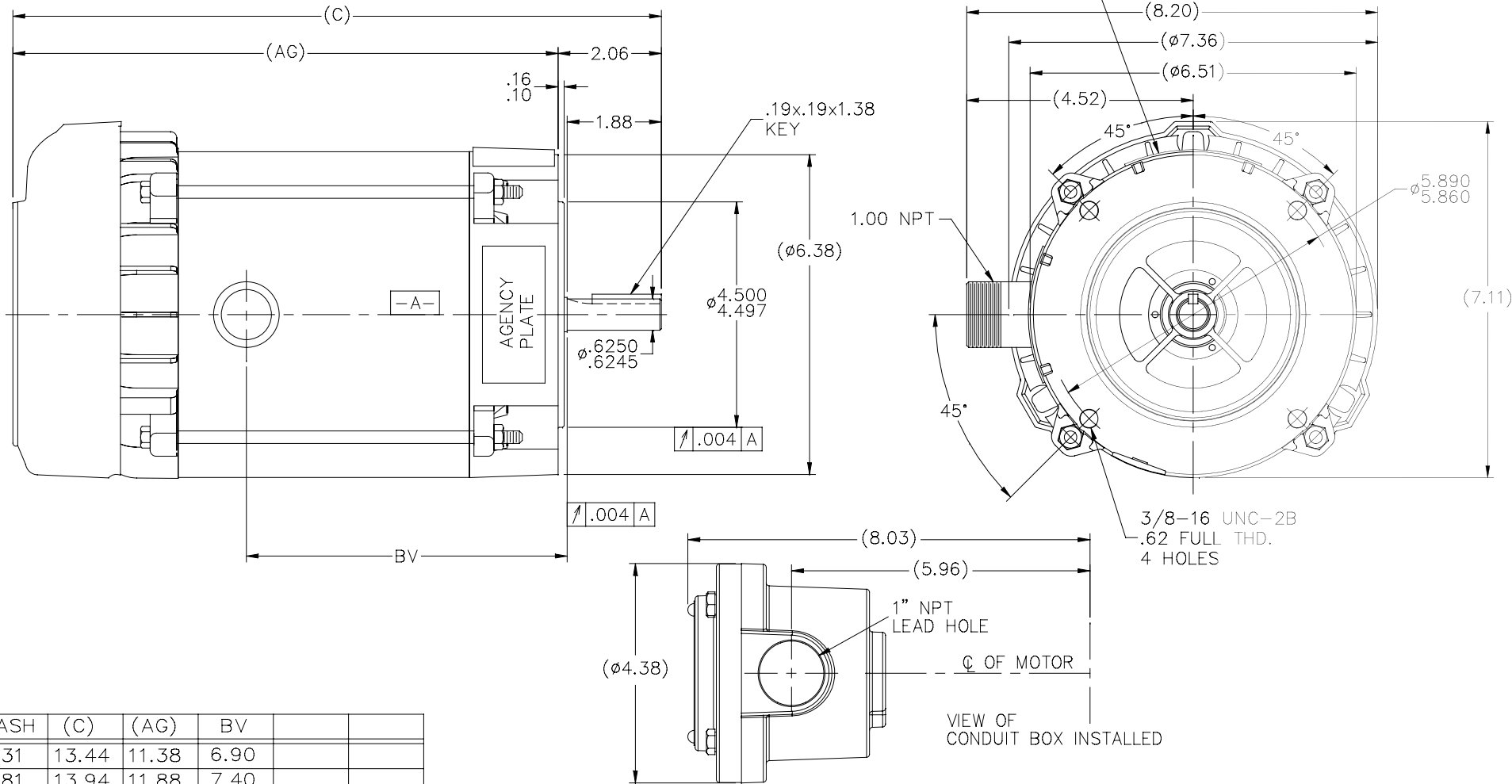
Output HP	1 Hp	Output KW	0.75 kW
Frequency	60 Hz	Voltage	230/460 V
Current	3.2/1.6 A	Speed	1725 rpm
Service Factor	1	Phase	3
Efficiency	85.5 %	Duty	Continuous
Insulation Class	B	Design Code	A
KVA Code	P	Frame	56C
Enclosure	Explosion Proof Fan cooled	Overload Protector	Automatic
Ambient Temperature	40 °C	Drive End Bearing Size	6203
Opp Drive End Bearing Size	6203	UL	Recognized
CSA	N	CE	N
IP Code	54		

Technical Specifications

Electrical Type	Squirrel Cage Induction Run	Starting Method	Across The Line
Poles	4	Rotation	Reversible
Mounting	Round	Motor Orientation	HORIZONTAL
Drive End Bearing	BALL	Opp Drive End Bearing	BALL
Frame Material	Rolled Steel	Shaft Type	T
Overall Length	15.94 in	Frame Length	8.91 in
Shaft Diameter	0.625 in	Shaft Extension	2.06 in
Assembly/Box Mounting	F1 ONLY		
Outline Drawing	B-104188-881	Connection Diagram	A-EE7335

This is an uncontrolled document once printed or downloaded and is subject to change without notice. Date Created: 10/30/2018

NAMEPLATES TO BE READ FROM SHAFT EXT. END.



DASH	(C)	(AG)	BV		
631	13.44	11.38	6.90		
681	13.94	11.88	7.40		
731	14.44	12.38	7.90		
781	14.94	12.88	8.40		
831	15.44	13.38	8.90		
881	15.94	13.88	9.40		
931	16.44	14.38	9.90		
981	16.94	14.88	10.40		

NO.	REVISION	BY & DATE	CHK	ANG	TOLERANCES UNLESS SPECIFIED	FINISH	PREV
6		SL 09/15/15					
5	COND. BOX INSTALLED VIEW UPDATED PER ECR-0044571	UD 10/10/13	ST	DEC.	INCHES		
4	REVISED C'BOX PER CN40784A	JJB 02/23/2007	ML	.X	±.1		
3	REDRAWN IN AUTOCAD	TAT 06-28-2004	ML	.XX	±.03		
2	ADDED CONDUIT BOX VIEW	CN 26686 MRB 03-22-1999		.XXX	±.005		
1	NEW DRAWING	CN 23099 MH 12-02-1996	SM	.XXXX	±.0005		
			CHK	ANG	±7°30'		

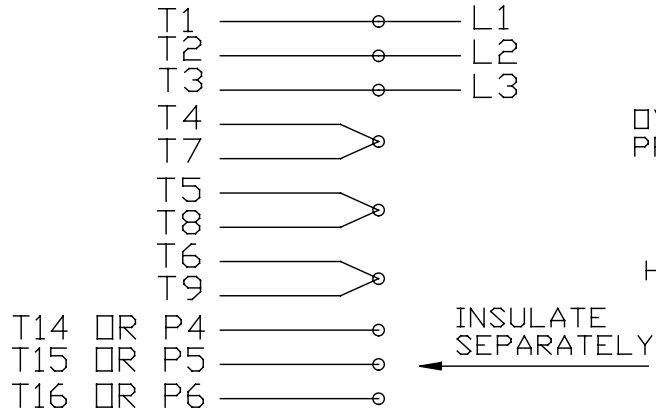
THIS DRAWING IN DESIGN AND DETAIL IS OUR PROPERTY AND MUST NOT BE USED EXCEPT IN CONNECTION WITH OUR WORK ALL RIGHTS OF DESIGN AND INVENTION ARE RESERVED THIS IS AN ELECTRONICALLY GENERATED DOCUMENT - DO NOT SCALE THIS PRINT				RFP	CAD FILE 104188	SIZE	DRAWING NO.	PAGE	OF	REV.
				DIST	WP	B	104188	6		6



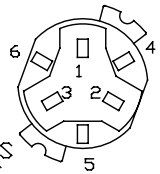
TITLE OUTLINE - 'C' FACE
56C/145TCZ FR - EXP PR.

EE7335

HIGH VOLTAGE CONNECTIONS



THREE PHASE - DUAL VOLTAGE MOTOR WITH OVERLOAD PROTECTOR

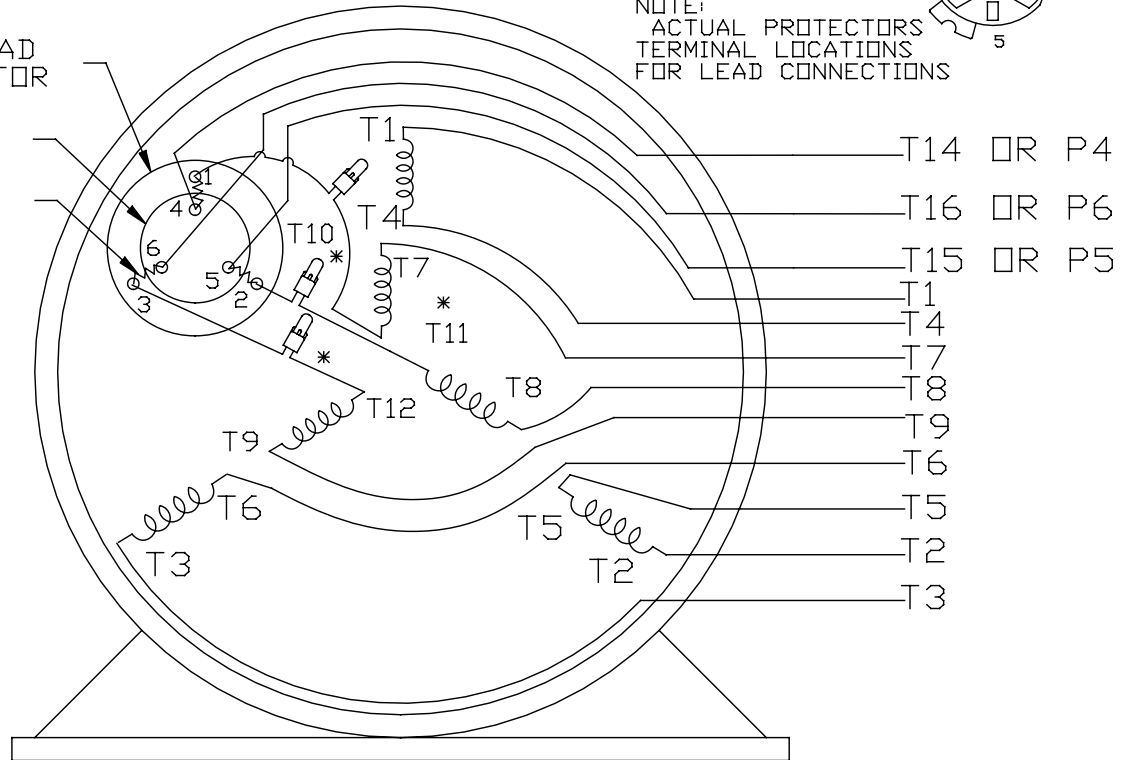


NOTE:
ACTUAL PROTECTORS
TERMINAL LOCATIONS
FOR LEAD CONNECTIONS

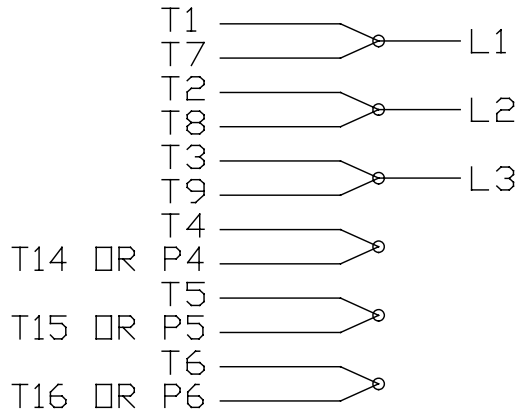
OVERLOAD PROTECTOR

DISC

HEATER



LOW VOLTAGE CONNECTIONS



VIEW OF TERMINAL END

* USE PRESSURE CONNECTORS FOR MT2 PLANT ONLY

T2K
T4D
T6AN

NO.	REVISION	BY & DATE	CHK	TOLERANCES UNLESS SPECIFIED		FINISH	DRAWING NO.	REV.
				DEC.	INCHES			
17	CHANGED LOGO FROM MARATHON TO REGAL	KIR 02/16/16	AB	DEC.	INCHES	REGAL ™ Regal Beloit America, Inc.	DRAWN	KL 08-09-1993
16	PRESSURE CONNECTORS QUANTITY WAS 6	PVR 10/29/13	GR	.X	±.1		CHK	ML 08/10/1993
15	PRESSURE CONNECTORS ADDED	GR 03/04/13	SR	.XX	±.01	TITLE	SCALE	1=1
14	ADDED ACTUAL PROECTOR VIEW CN 17481	KL 05/18/94		.XXX	±.005	3Ø-DUAL VOLT WITH OVERLOAD PROTECTO	REF	
13	REDRAWN IN AUTO CAD	KL 08/11/93		.XXXX	±.0005	MAT'L.	FMF	
				ANG	±1/2*		PREV	
THIS DRAWING IN DESIGN AND DETAIL IS OUR PROPERTY AND MUST NOT BE USED EXCEPT IN CONNECTION WITH OUR WORK ALL RIGHTS OF DESIGN AND INVENTION ARE RESERVED THIS IS AN ELECTRONICALLY GENERATED DOCUMENT - DO NOT SCALE THIS PRINT				RFP	CAD FILE	EE7335	SIZE	A
				DIST			EE7335	17



P.O. BOX 8003
WAUSAU, WI 54401-8003
PH. 715-675-3311

DATA VOLTS: 460

CERTIFICATION DATA SHEET

CUSTOMER P.O. #:
 ORDER #: A-EE7335
 REFERENCE MODEL #: 56T17G15599
 CONN. DIAGRAM: B-104188-881
 CAT #: G841A
 OUTLINE: ZT4257 FR 3
 CUSTOMER PART #:
 WINDING: ZT4257 FR 3
 MOUNTING: F1 ONLY
 SPEED:
 TYPICAL MOTOR PERFORMANCE DATA

HP	KW	SYNC RPM	FL RPM	FRAME	ENCLOSURE	TYPE	KVA CODE	DESIGN
1	0.75	1800	1785	56C	TEFC	TEFR	P	A

PH	HZ	VOLTS	AMPS	START TYPE	DUTY	INSL	S.F.	AMB	ELEV.
3	60	230/460	3.3/1.65	ACROSS-THE LINE	CONT	B	1.15	40	3300
	F.L. EFF	85.5	3/4 LD EFF	84.0	1/2 LD EFF	81.5	GTD EFF	ELECT. TYPE	
	F.L. PF	68.0	3/4 LD PF	59.5	1/2 LD PF	46.5	82.5	SQ CAGE IND RUN	

F.L. TORQUE	LR AMPS @ 460 V	L.R. TORQUE	B.D. TORQUE	F.L. RISE (°C)
3.0 LB-FT	17.0	13.7 LB-FT	16.8 LB-FT	560%
@ 3 FT.	POWER	ROTOR WK ²	MAX. LOAD WK ²	SAFE STALL TIME
62 DBA	71 DBA	0.12 LB-FT ²	0 LB-FT ²	15 SEC.
				START/SHOUR
				2
				MOTOR WGT
				48 LB.

*** SUPPLEMENTAL INFORMATION ***

DE BRACKET TYPE	ODE BRACKET TYPE	MOUNT TYPE	MOTOR ORIENTATION	SEVERE DUTY	HAZARDOUS LOCATION	DRIP COVER	SCREENS	PAINT
C-FACE	STANDARD	ROUND	HORIZONTAL	NO	DF CL I GR C&D CL I I GR	NO	NONE	GRAY (POWDER)

BEARINGS	GREASE	SHAFT TYPE	SPECIAL DE	SPECIAL ODE	SHAFT	MATERIAL	FRAME MATERIAL
DE BALL 6203	POLYREX EM	T	NONE	NONE	1144	STRESSPROOF (C-223)	ROLLED STEEL

THERMOSTATS	PROTECTORS	WDG RTD's	BRG RTD's	THERMISTORS	CONTROL	SPACE HEATERS
NONE	AUTOMATIC	NONE	NONE	NONE	FALSE	NA

R1 (ohms/ph)	R2 (ohms/ph)	X1 (ohms/ph)	X2 (ohms/ph)	Xm (ohms/ph)	VIBRATION (in/sec)	FLOAT
2.425	1.602	3.105	2.772	75.863	0.150	ODE

* N		INVERTER TORQUE: NONE	
O		INV. HP SPEED RANGE: NONE	
T		ENCODER: NONE	
E		BRAKE: NONE	
S		FT-LB: NONE	
.		VOLTAGE: NONE	
		NONE PPR	

PREPARED BY: FAREEDA DUDEKULA
 DATE: 9/17/2018
 UL: Q-INS. CONST. AUTO PRT UL REC
 FORM: 3531 REV 4 2/27/06

Data Sheet



56T17G15599

Submital

Data @ 460 V

Date: 6/28/2018

Customer:
 Attention:
 Submitted by: FAREEDA DUDEKULA

Motor Load Data

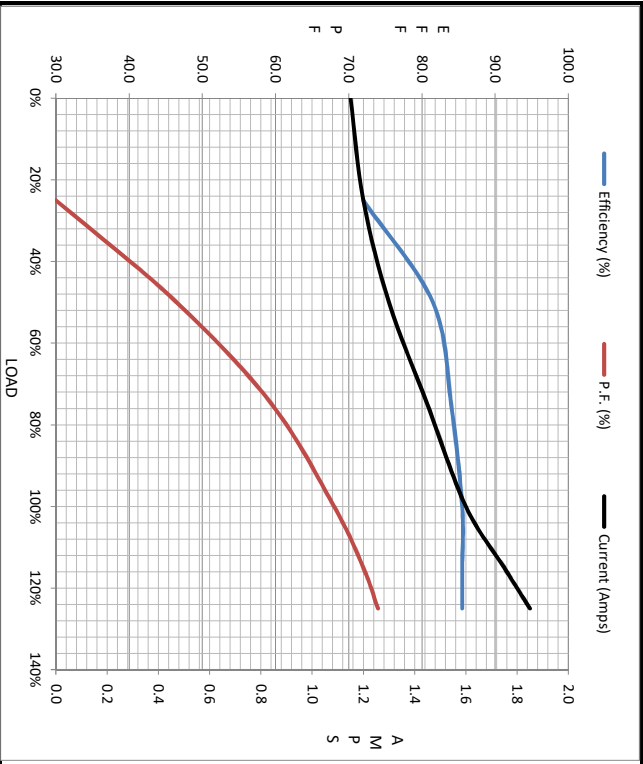
Load	0%	25%	50%	75%	100%	115%	125%	LR
Current (Amps)	1.15	1.20	1.30	1.45	1.60	1.75	1.85	17.0
Torque (ft-lb)	0.00	0.75	1.50	2.25	3.0	3.5	3.8	13.7
RPM	1800	1790	1785	1775	1765	1,760	1755	0
Efficiency (%)		72.0	81.5	84.0	85.5	85.5	85.5	
P.F. (%)	7.5	30.0	46.5	59.5	68.0	72.0	74.0	69.5

Motor Speed Data

	LR	Pull-Up	BD	Rated	Idle
Speed (RPM)	0	115	1270	1765	1800
Current (Amps)	17.0	16.0	11.0	1.60	1.15
Torque (ft-lb)	13.7	12.5	16.8	3.0	0.00

Information Block

HP	1.0			
Sync. RPM	1800			
Frame	56			
Enclosure	TEFC			
Construction	TFR			
Voltage	230/460 V			
Frequency	60 Hz			
Design	A			
LR Code letter	P			
Service Factor	1.15			
Temp Rise @ FL	30 °C			
Duty	CONT			
Ambient	40 °C			
Elevation	1,000 feet			
Rotor/Shaft wk²	0.12 Lb-Ft²			
Ref Wdg	ZT4257 FR			
Sound Pressure @ 1M	62 dbA			
VFD Rating	NONE			
Outline Dwg	B-104188-881			
Conn. Diag	A-EE7335			
Additional Specifications:				
0				
EQUIV/CKT (OHMS/PHASE)				
R1	R2	X1	X2	Xn
2.4250	1.6020	3.1050	2.7720	75.8630



Speed - Torque Curve

