

PRODUCT INFORMATION PACKET

Model No: 056T17G15601
Catalog No: K2115A
1 1/2, 1800, EPFC, 56C, 3/60/230/460
Explosion Proof



Regal and Marathon are trademarks of Regal Beloit Corporation or one of its affiliated companies.
©2018 Regal Beloit Corporation, All Rights Reserved. MC017097E





Nameplate Specifications

Output HP	1.50 Hp	Output KW	1.1 kW
Frequency	60 Hz	Voltage	230/460 V
Current	4.6/2.3 A	Speed	1725 rpm
Service Factor	1.15	Phase	3
Efficiency	86.5 %	Duty	Continuous
Insulation Class	B	Design Code	NO DESIGN CODE
KVA Code	P	Frame	56C
Enclosure	Explosion Proof Fan cooled	Overload Protector	Automatic
Ambient Temperature	40 °C	Drive End Bearing Size	6205
Opp Drive End Bearing Size	6203	UL	No
CSA	N	CE	N
IP Code	54		

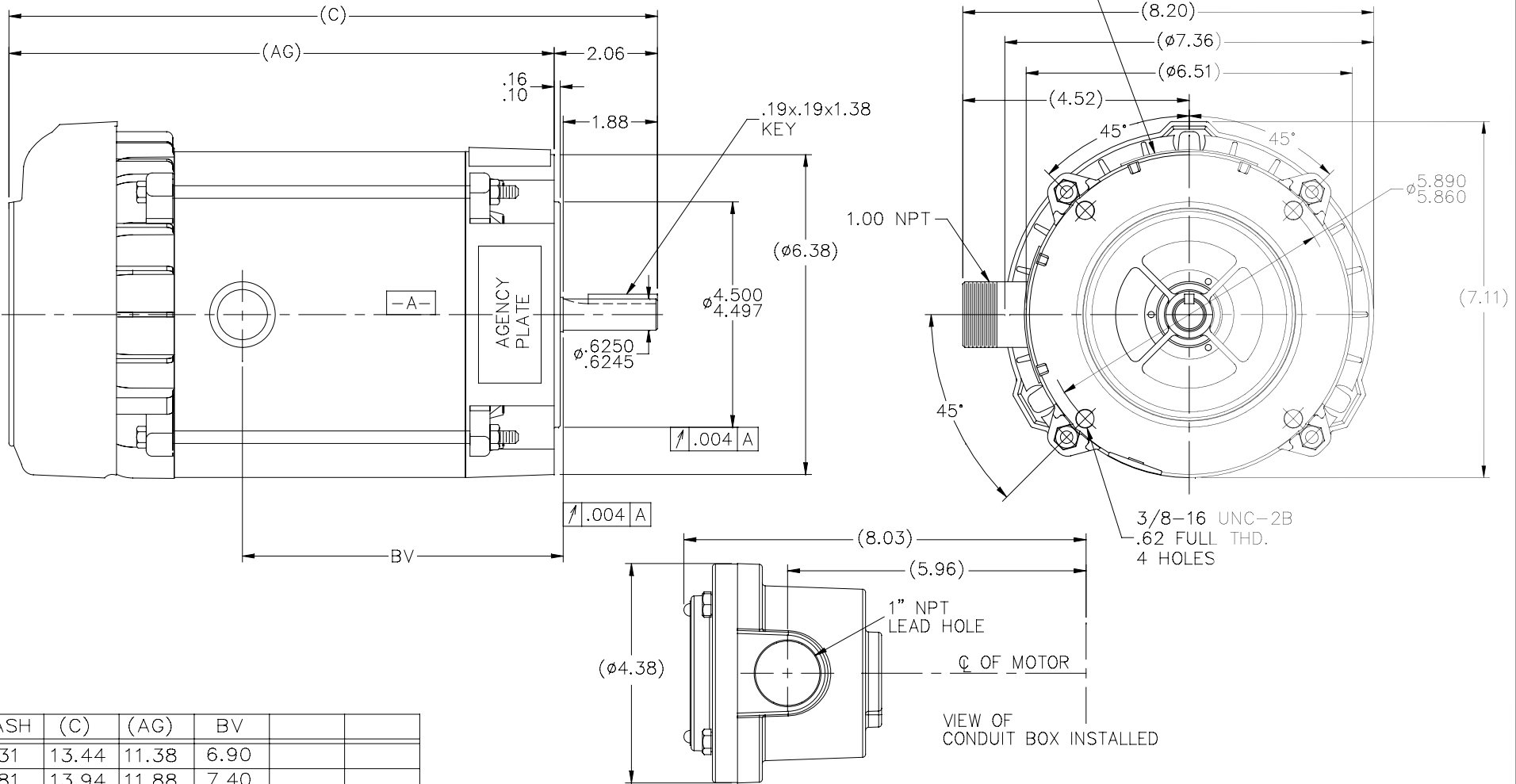
Technical Specifications

Electrical Type	Squirrel Cage Induction Run	Starting Method	Across The Line
Poles	4	Rotation	Reversible
Mounting	Round	Motor Orientation	Horizontal
Drive End Bearing	Ball	Opp Drive End Bearing	Ball
Frame Material	Rolled Steel	Shaft Type	T
Overall Length	15.94 in	Frame Length	8.81 in
Shaft Diameter	0.625 in	Shaft Extension	2.06 in
Assembly/Box Mounting	F1 Only		
Outline Drawing	B-104188-881	Connection Diagram	EE7335

This is an uncontrolled document once printed or downloaded and is subject to change without notice. Date Created: 06/29/2018

104188

NAMEPLATES TO BE READ FROM SHAFT EXT. END.



DASH	(C)	(AG)	BV		
631	13.44	11.38	6.90		
681	13.94	11.88	7.40		
731	14.44	12.38	7.90		
781	14.94	12.88	8.40		
831	15.44	13.38	8.90		
881	15.94	13.88	9.40		
931	16.44	14.38	9.90		
981	16.94	14.88	10.40		

NO.	REVISION	BY & DATE	CHK	ANG	TOLERANCES UNLESS SPECIFIED	FINISH	PREV
6		SL 09/15/15					
5	COND. BOX INSTALLED VIEW UPDATED PER ECR-0044571	UD 10/10/13	ST	DEC.	INCHES		
4	REVISED C'BOX PER CN40784A	JJB 02/23/2007	ML	.X	±.1		
3	REDRAWN IN AUTOCAD	TAT 06-28-2004	ML	.XX	±.03		
2	ADDED CONDUIT BOX VIEW CN 26686	MRB 03-22-1999		.XXX	±.005		
1	NEW DRAWING CN 23099	MH 12-02-1996	SM	.XXXX	±.0005		
					±7'30"		

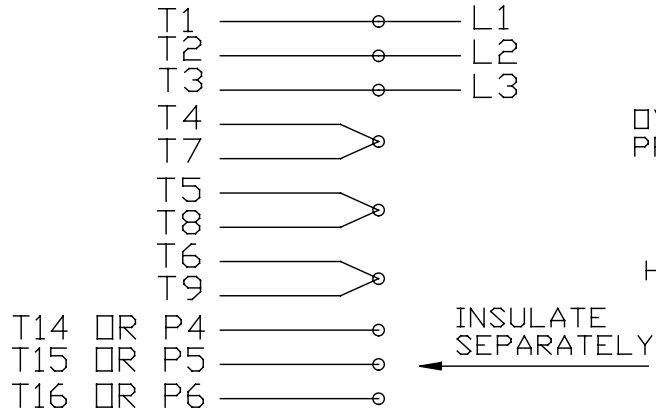
THIS DRAWING IN DESIGN AND DETAIL IS OUR PROPERTY AND MUST NOT BE USED EXCEPT IN CONNECTION WITH OUR WORK ALL RIGHTS OF DESIGN AND INVENTION ARE RESERVED THIS IS AN ELECTRONICALLY GENERATED DOCUMENT - DO NOT SCALE THIS PRINT				RFP	CAD FILE 104188	SIZE	DRAWING NO.	PAGE	OF	REV.
				DIST	WP	B	104188			6

REGAL Regal Beloit America, Inc.

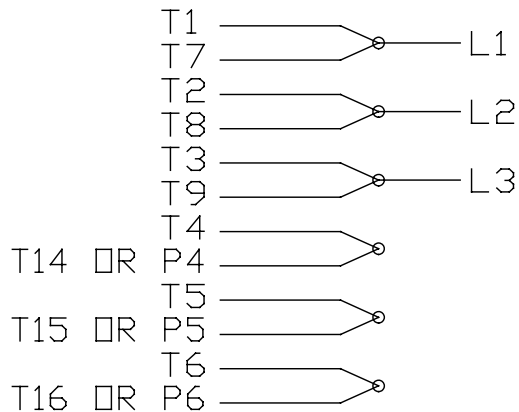
TITLE OUTLINE - 'C' FACE
56C/145TCZ FR - EXP PR.

EE7335

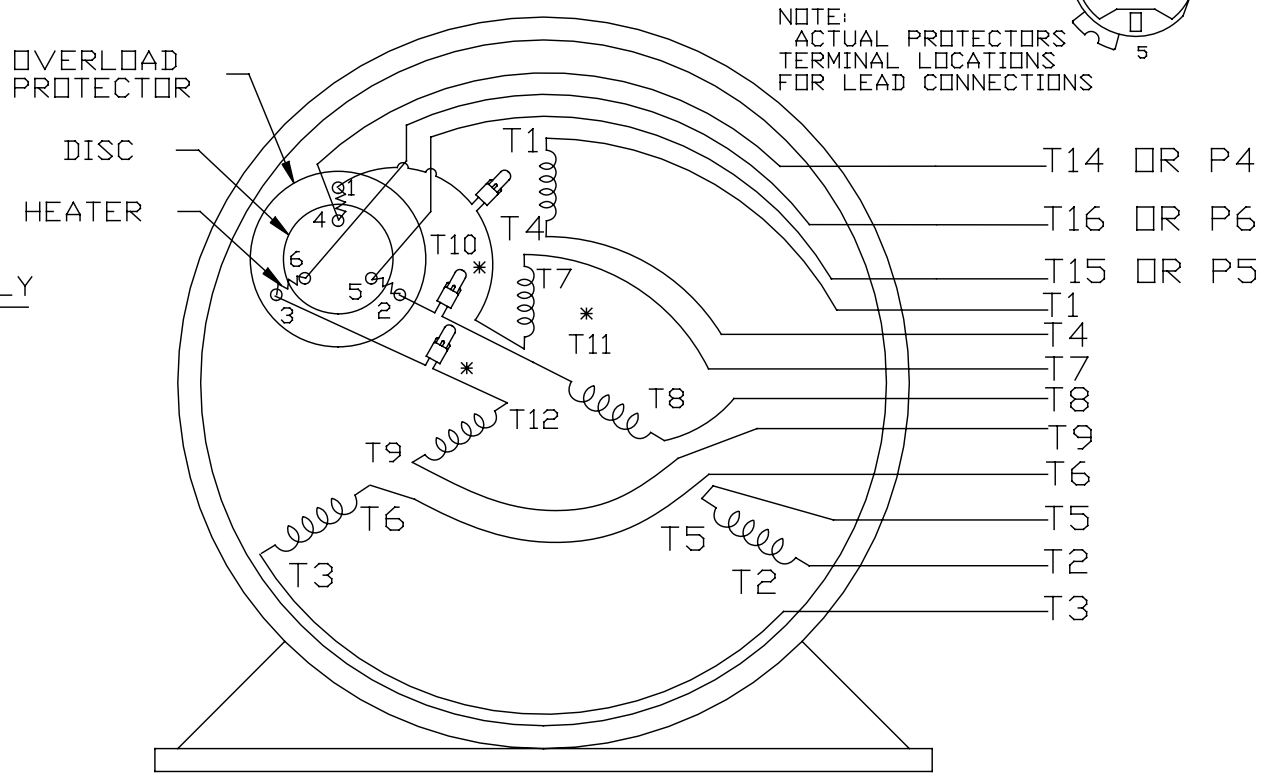
HIGH VOLTAGE CONNECTIONS



LOW VOLTAGE CONNECTIONS



THREE PHASE - DUAL VOLTAGE MOTOR WITH OVERLOAD PROTECTOR



VIEW OF TERMINAL END

* USE PRESSURE CONNECTORS FOR MT2 PLANT ONLY

T2K
T4D
T6AN

NO.	REVISION	BY & DATE	CHK	TOLERANCES UNLESS SPECIFIED		Regal Beloit America, Inc.	DRAWN KL 08-09-1993	
				DEC.	INCHES		CHK	ML 08/10/1993
17	CHANGED LOGO FROM MARATHON TO REGAL	KIR 02/16/16	AB	DEC.	INCHES	REGAL ™ Regal Beloit America, Inc. TITLE CONNECTION DIAGRAM 3Ø-DUAL VOLT WITH OVERLOAD PROTECTOR MAT'L. FINISH	APPD	GK 08/10/1993
16	PRESSURE CONNECTORS QUANTITY WAS 6	PVR 10/29/13	GR	.X	±.1		SCALE	1=1
15	PRESSURE CONNECTORS ADDED	GR 03/04/13	SR	.XX	±.01		REF	
14	ADDED ACTUAL PROECTOR VIEW CN 17481	KL 05/18/94		.XXX	±.005		FMF	
13	REDRAWN IN AUTO CAD	KL 08/11/93		.XXXX	±.0005		PREV	
THIS DRAWING IN DESIGN AND DETAIL IS OUR PROPERTY AND MUST NOT BE USED EXCEPT IN CONNECTION WITH OUR WORK ALL RIGHTS OF DESIGN AND INVENTION ARE RESERVED THIS IS AN ELECTRONICALLY GENERATED DOCUMENT - DO NOT SCALE THIS PRINT							RFP	
							DIST	
							CAD FILE	EE7335
							SIZE	DRAWING NO.
							A	EE7335
								REV.
								17

CERTIFICATION DATA SHEET

Model#: 56T17G15601 A **WINDING#:** ZT4256 FR 3
CONN. DIAGRAM: EE7335 **ASSEMBLY:** F1 ONLY
OUTLINE: B-104188-881

TYPICAL MOTOR PERFORMANCE DATA

HP	KW	SYNC. RPM	F.L. RPM	FRAME	ENCLOSURE	KVA CODE	DESIGN		
1 1/2	1.12	1800	1725	56C	EPFC	P	NO DESIGN CODE		
PH	Hz	VOLTS	FL AMPS	START TYPE	DUTY	INSL	S.F	AMB°C	ELEVATION
3	60	230/460	4.6/2.3	ACROSS THE LINE	CONTINUOUS	B3	1.15	40	3300
FULL LOAD EFF: 86.5	3/4 LOAD EFF: 85.5	1/2 LOAD EFF: 82.5	GTD. EFF		ELEC. TYPE	NO LOAD AMPS			
			84		SQ CAGE IND RUN	3 / 1.5			
F.L. TORQUE		LOCKED ROTOR AMPS		L.R. TORQUE	B.D. TORQUE	F.L. RISE°C			
4.5 LB-FT		48 / 24		21.2 LB-FT 471	26 LB-FT 578	35			
SOUND PRESSURE @ 3 FT.	SOUND POWER	ROTOR WK^2	MAX. WK^2	SAFE STALL TIME	STARTS /HOUR	APPROX. MOTOR WGT			
62 dBA	72 dBA	0.14 LB-FT^2	10 LB-FT^2	20 SEC.	2	50 LBS.			

***** SUPPLEMENTAL INFORMATION *****

DE BRACKET TYPE	ODE BRACKET TYPE	MOUNT TYPE	ORIENTATION	SEVERE DUTY	HAZARDOUS LOCATION	DRIP COVER	SCREENS	PAINT
C-FACE	STANDARD	ROUND	HORIZONTAL	FALSE	EXP PROOF CL I GR C&D CL II GR F&G T3B	PROVISIONS ONLY	NONE	GRAY - GE (POWDER)

BEARINGS		GREASE	SHAFT TYPE	SPECIAL DE	SPECIAL ODE	SHAFT MATERIAL	FRAME MATERIAL
DE	OPE						
BALL	BALL	POLYREX EM	T	NONE	NONE	1144 STRESSPROOF (C-223)	ROLLED STEEL
6205	6203						

THERMO-PROTECTORS				THERMISTORS	CONTROL	SPACE /n HEATERS
THERMOSTATS	PROTECTORS	WDG RTDs	BRG RTDs	NONE	FALSE	NONE VOLTS
NONE	AUTOMATIC	NONE	NONE			

If Inverter equals NONE, contact factory for further information

*
N
O
T
E
S
*

INVERTER TORQUE: NONE
INV. HP SPEED RANGE: NONE
ENCODER: NONE
NONE NONE
NONE NONE PPR
BRAKE: NONE NONE
NONE P/N NONE
NONE NONE
NONE FT-LB NONE V NONE Hz

DATE: 06/29/2017 12:55:50 AM
 FORM 3531 REV.3 02/07/99
 ** Subject to change without notice.

