

# PRODUCT INFORMATION PACKET

Model No: 056T17G15602  
Catalog No: K2111A  
1 1/2, 1800, EPFC, 56H, 3/60/230/460  
Explosion Proof



Regal and Marathon are trademarks of Regal Beloit Corporation or one of its affiliated companies.  
©2018 Regal Beloit Corporation, All Rights Reserved. MC017097E





### Nameplate Specifications

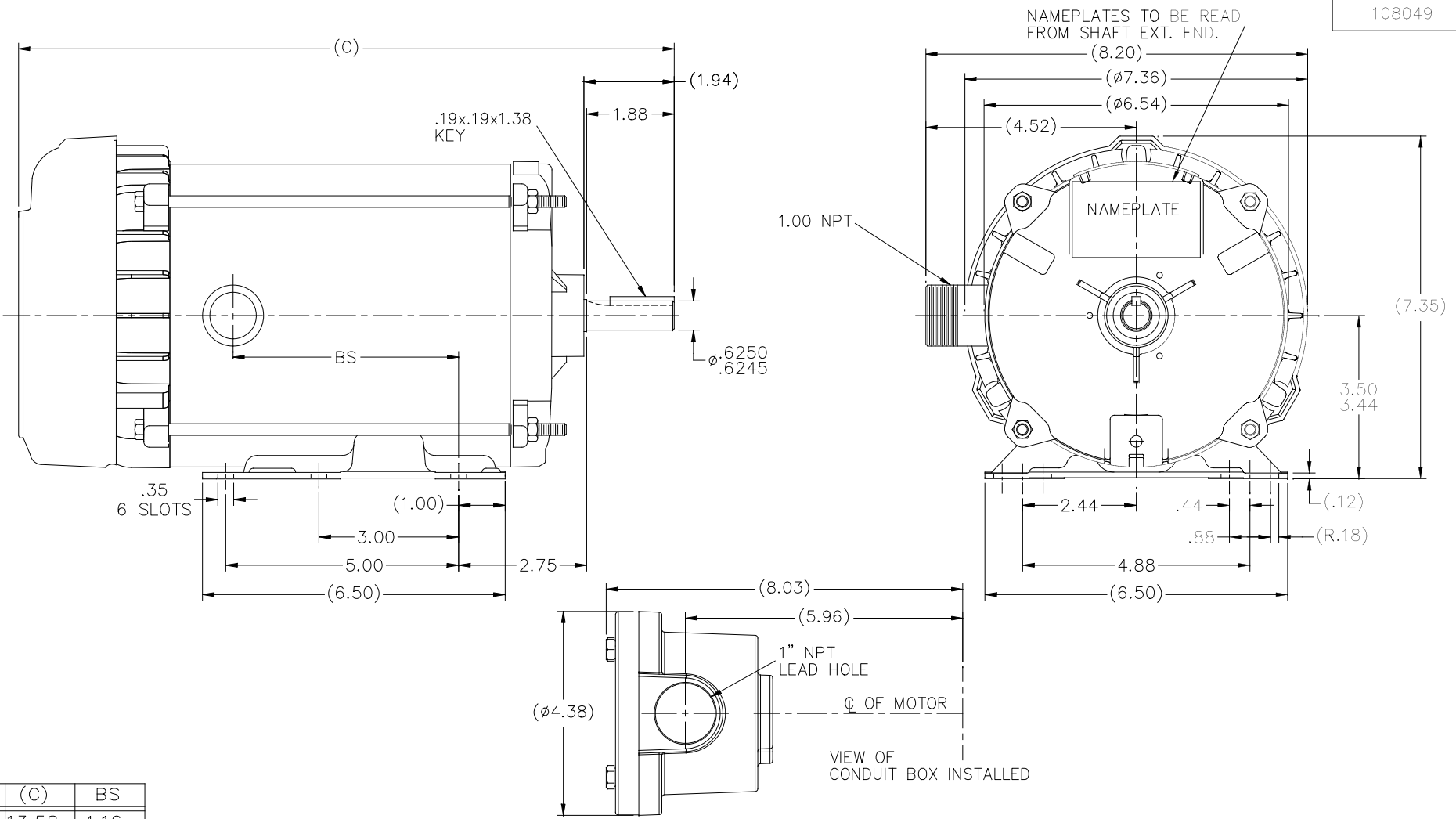
Output HP	<b>1.50 Hp</b>	Output KW	<b>1.1 kW</b>
Frequency	<b>60 Hz</b>	Voltage	<b>230/460 V</b>
Current	<b>4.6/2.3 A</b>	Speed	<b>1725 rpm</b>
Service Factor	<b>1.15</b>	Phase	<b>3</b>
Efficiency	<b>86.5 %</b>	Duty	<b>Continuous</b>
Insulation Class	<b>B</b>	Design Code	<b>B</b>
KVA Code	<b>P</b>	Frame	<b>56H</b>
Enclosure	<b>Explosion Proof Fan cooled</b>	Overload Protector	<b>Automatic</b>
Ambient Temperature	<b>40 °C</b>	Drive End Bearing Size	<b>6205</b>
Opp Drive End Bearing Size	<b>6203</b>	UL	<b>No</b>
CSA	<b>N</b>	CE	<b>N</b>
IP Code	<b>54</b>		

### Technical Specifications

Electrical Type	<b>Squirrel Cage Induction Run</b>	Starting Method	<b>Across The Line</b>
Poles	<b>4</b>	Rotation	<b>Reversible</b>
Mounting	<b>Rigid base</b>	Motor Orientation	<b>Horizontal</b>
Drive End Bearing	<b>Ball</b>	Opp Drive End Bearing	<b>Ball</b>
Frame Material	<b>Rolled Steel</b>	Shaft Type	<b>T</b>
Overall Length	<b>15.56 in</b>	Frame Length	<b>8.81 in</b>
Shaft Diameter	<b>0.625 in</b>	Shaft Extension	<b>1.88 in</b>
Assembly/Box Mounting	<b>F1 Only</b>		
Outline Drawing	<b>B-108049-881</b>	Connection Diagram	<b>EE7335</b>

This is an uncontrolled document once printed or downloaded and is subject to change without notice. Date Created: 06/29/2018

108049

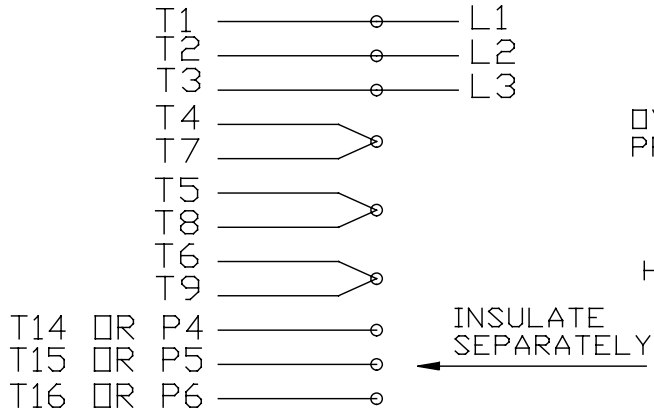


DASH	(C)	BS
681	13.58	4.16
731	14.08	4.66
781	14.58	5.16
831	15.08	5.66
881	15.58	6.16
931	16.08	6.66
981	16.58	7.16

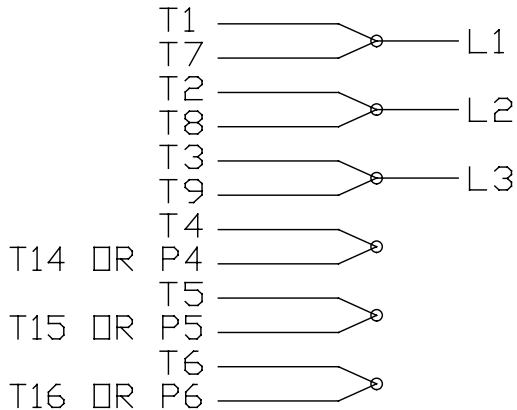
		TOLERANCES UNLESS SPECIFIED		REGAL™ Regal Beloit America, Inc.		DRAWN	AP	3/12/16
		DEC.	INCHES			CHK	AP	3/12/16
		.X	±.1			APPD	AP	3/12/16
		.XX	±.03	TITLE OUTLINE		SCALE		1=2
		.XXX	±.005	56H FR. - EXP. PR. - EPFC		REF		
A NEW DRAWING		AP	3/12/16	.XXXX ±.0005		MAT'L.		FMF
NO. REVISION		BY & DATE	CHK	ANG	±7'30"	FINISH		PREV
THIS DRAWING IN DESIGN AND DETAIL IS OUR PROPERTY AND MUST NOT BE USED EXCEPT IN CONNECTION WITH OUR WORK ALL RIGHTS OF DESIGN AND INVENTION ARE RESERVED THIS IS AN ELECTRONICALLY GENERATED DOCUMENT - DO NOT SCALE THIS PRINT		RFP	CAD FILE 108049LE		SIZE	DRAWING NO.	PAGE	OF
		DIST	WP			B	108049	A

EE7335

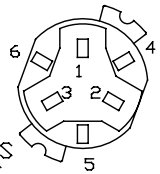
### HIGH VOLTAGE CONNECTIONS



### LOW VOLTAGE CONNECTIONS



## THREE PHASE - DUAL VOLTAGE MOTOR WITH OVERLOAD PROTECTOR

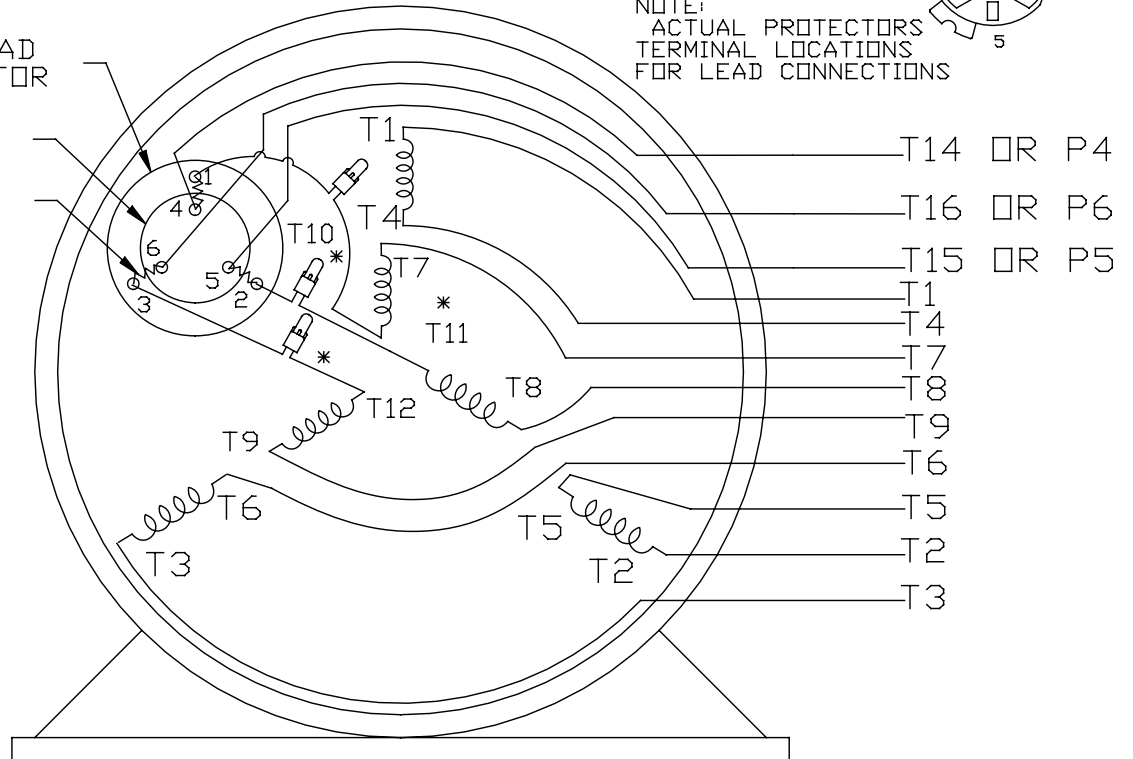


NOTE:  
ACTUAL PROTECTORS  
TERMINAL LOCATIONS  
FOR LEAD CONNECTIONS

OVERLOAD PROTECTOR

DISC

HEATER



VIEW OF TERMINAL END

\* USE PRESSURE CONNECTORS FOR MT2 PLANT ONLY

T2K
T4D
T6AN

NO.	REVISION	BY & DATE	CHK	TOLERANCES UNLESS SPECIFIED		FINISH	DRAWING NO.	REV.
				ANG	±1/2*			
17	CHANGED LOGO FROM MARATHON TO REGAL	KIR 02/16/16	AB	DEC.	INCHES	<b>Regal Beloit America, Inc.</b>	DRAWN	KL 08-09-1993
16	PRESSURE CONNECTORS QUANTITY WAS 6	PVR 10/29/13	GR	.X	±.1		CHK	ML 08/10/1993
15	PRESSURE CONNECTORS ADDED	GR 03/04/13	SR	.XX	±.01		APPD	GK 08/10/1993
14	ADDED ACTUAL PROECTOR VIEW CN 17481	KL 05/18/94		.XXX	±.005	TITLE	CONNECTION DIAGRAM	SCALE 1=1
13	REDRAWN IN AUTO CAD	KL 08/11/93		.XXXX	±.0005	3Ø-DUAL VOLT WITH OVERLOAD PROTECTOR		REF
						MAT'L.		FMF
						FINISH		PREV
				RFP	CAD FILE	EE7335	SIZE	A
				DIST			EE7335	17

THIS DRAWING IN DESIGN AND DETAIL IS OUR PROPERTY AND MUST NOT BE USED EXCEPT IN CONNECTION WITH OUR WORK ALL RIGHTS OF DESIGN AND INVENTION ARE RESERVED THIS IS AN ELECTRONICALLY GENERATED DOCUMENT - DO NOT SCALE THIS PRINT

