

PRODUCT INFORMATION PACKET

Model No: 056T17G15615
Catalog No: G846A
1,1800,EPFC,56C,3/60/575
Explosion Proof



Regal and Marathon are trademarks of Regal Beloit Corporation or one of its affiliated companies.
©2018 Regal Beloit Corporation, All Rights Reserved. MC017097E





Nameplate Specifications

| | | | |
|----------------------------|-----------------------------------|------------------------|-------------------|
| Output HP | 1 Hp | Output KW | 0.75 kW |
| Frequency | 60 Hz | Voltage | 575 V |
| Current | 1.3 A | Speed | 1725 rpm |
| Service Factor | 1 | Phase | 3 |
| Efficiency | 85.5 % | Duty | Continuous |
| Insulation Class | B | Design Code | B |
| KVA Code | P | Frame | 56C |
| Enclosure | Explosion Proof Fan cooled | Overload Protector | Automatic |
| Ambient Temperature | 40 °C | Drive End Bearing Size | 6203 |
| Opp Drive End Bearing Size | 6203 | UL | Recognized |
| CSA | N | CE | N |
| IP Code | 54 | | |

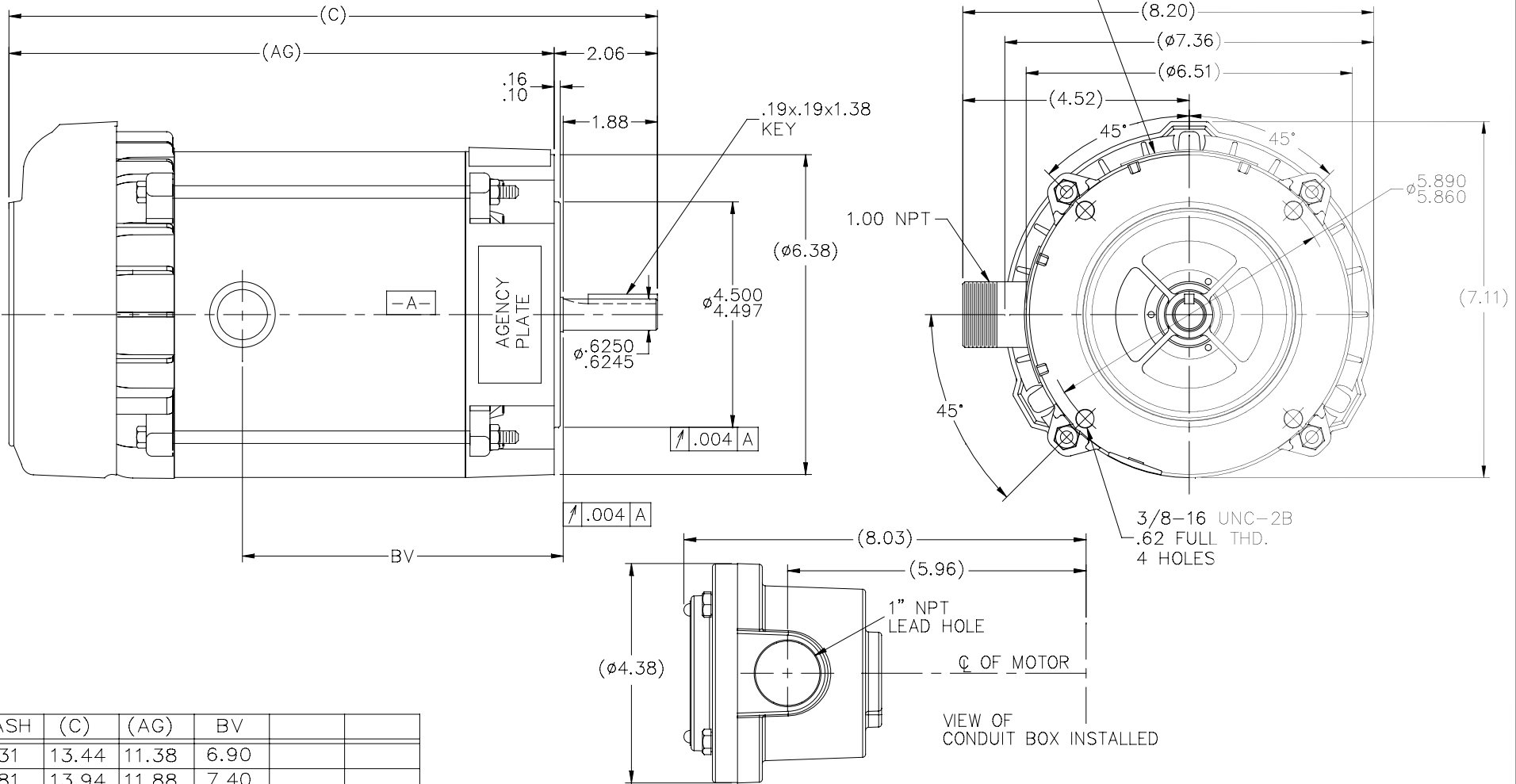
Technical Specifications

| | | | |
|-----------------------|------------------------------------|-----------------------|------------------------|
| Electrical Type | Squirrel Cage Induction Run | Starting Method | Across The Line |
| Poles | 4 | Rotation | Reversible |
| Mounting | Round | Motor Orientation | HORIZONTAL |
| Drive End Bearing | BALL | Opp Drive End Bearing | BALL |
| Frame Material | Rolled Steel | Shaft Type | T |
| Overall Length | 15.94 in | Frame Length | 9.06 in |
| Shaft Diameter | 0.625 in | Shaft Extension | 2.06 in |
| Assembly/Box Mounting | F1 ONLY | | |
| Outline Drawing | B-104188-881 | Connection Diagram | EE7335B |

This is an uncontrolled document once printed or downloaded and is subject to change without notice. Date Created: 10/30/2018

104188

NAMEPLATES TO BE READ FROM SHAFT EXT. END.



| DASH | (C) | (AG) | BV | | |
|------|-------|-------|-------|--|--|
| 631 | 13.44 | 11.38 | 6.90 | | |
| 681 | 13.94 | 11.88 | 7.40 | | |
| 731 | 14.44 | 12.38 | 7.90 | | |
| 781 | 14.94 | 12.88 | 8.40 | | |
| 831 | 15.44 | 13.38 | 8.90 | | |
| 881 | 15.94 | 13.88 | 9.40 | | |
| 931 | 16.44 | 14.38 | 9.90 | | |
| 981 | 16.94 | 14.88 | 10.40 | | |

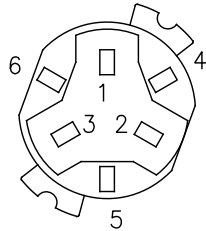
| NO. | REVISION | BY & DATE | CHK | ANG | TOLERANCES UNLESS SPECIFIED | FINISH | PREV |
|-----|--|----------------|-----|-------|-----------------------------|--------|------|
| 6 | | SL 09/15/15 | | | | | |
| 5 | COND. BOX INSTALLED VIEW UPDATED PER ECR-0044571 | UD 10/10/13 | ST | DEC. | INCHES | | |
| 4 | REVISED C'BOX PER CN40784A | JUB 02/23/2007 | ML | .X | ±.1 | | |
| 3 | REDRAWN IN AUTOCAD | TAT 06-28-2004 | ML | .XX | ±.03 | | |
| 2 | ADDED CONDUIT BOX VIEW CN 26686 | MRB 03-22-1999 | | .XXX | ±.005 | | |
| 1 | NEW DRAWING CN 23099 | MH 12-02-1996 | SM | .XXXX | ±.0005 | | |
| | | | | | ±7'30" | | |

| | | | | | | | | | | |
|--|--|--|--|------|-----------------|------|-------------|------|----|------|
| THIS DRAWING IN DESIGN AND DETAIL IS OUR PROPERTY AND MUST NOT BE USED EXCEPT IN CONNECTION WITH OUR WORK ALL RIGHTS OF DESIGN AND INVENTION ARE RESERVED THIS IS AN ELECTRONICALLY GENERATED DOCUMENT - DO NOT SCALE THIS PRINT | | | | RFP | CAD FILE 104188 | SIZE | DRAWING NO. | PAGE | OF | REV. |
| | | | | DIST | WP | B | 104188 | | | 6 |

REGAL Regal Beloit America, Inc.

TITLE OUTLINE - 'C' FACE
56C/145TCZ FR - EXP PR.

SINGLE VOLTAGE – THREE PHASE WITH OVERLOAD PROTECTOR

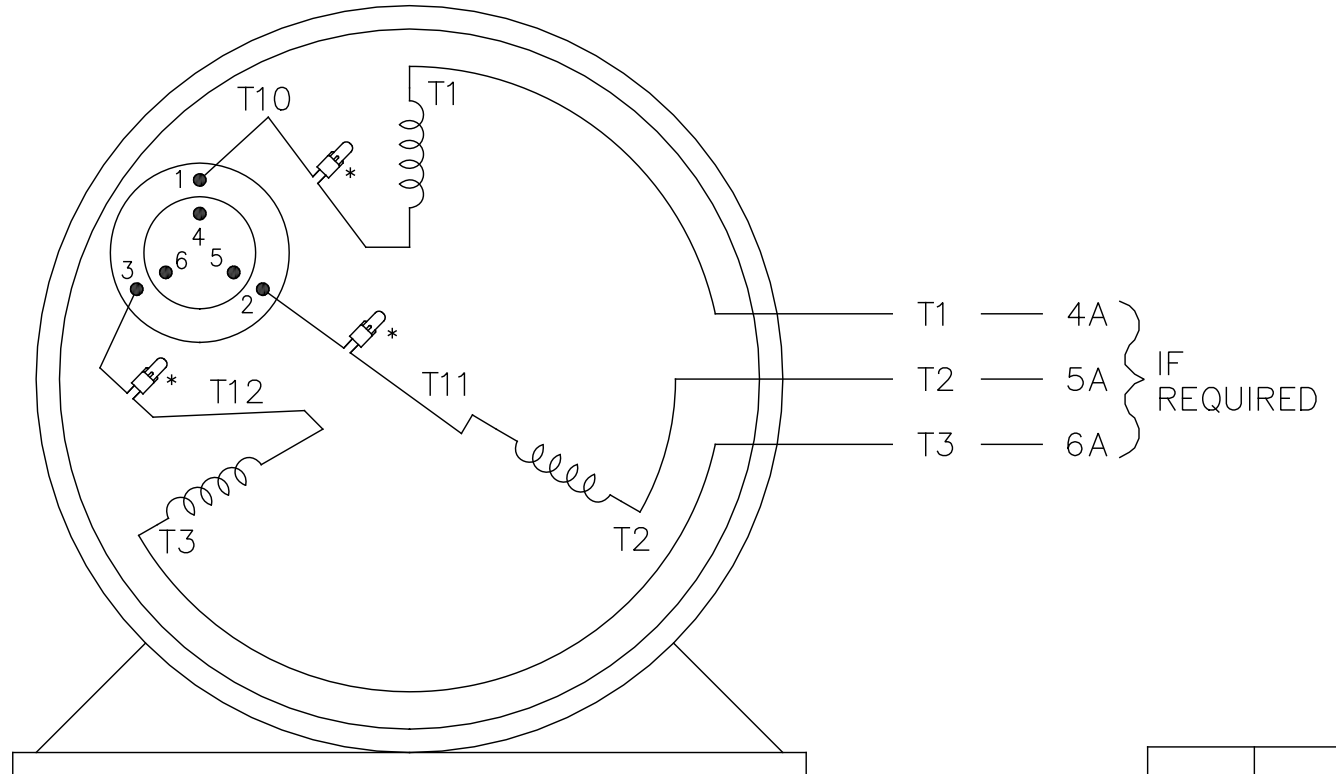


NOTE:
ACTUAL PROTECTOR
TERMINAL LOCATIONS
FOR LEAD CONNECTIONS

NOTE:

WEST PLAINS

LEADS WITH TERMINALS
SHOULD BE CONNECTED
TO INBOARD SIDE OF
TERMINAL BOARD.



–TO REVERSE ROTATION–
INTERCHANGE ANY TWO
LINE LEAD CONNECTIONS

VIEW OF TERMINAL END

OPTIONAL CORD
CONNECTION

L1 — WHITE —
L2 — RED —
L3 — BLACK —

| | | |
|------|------|------|
| | | T6CK |
| T6CA | T6BM | |
| T4CC | T4AY | |
| T4C | T2DL | |
| T6D | T2H | |

* USE PRESSURE CONNECTORS FOR MT2 PLANT ONLY

| NO. | REVISION | BY & DATE | CHK | ANG | ± | - | TOLERANCES UNLESS SPECIFIED | | MARATHON ELECTRIC | DRAWN KL 08-25-1993 |
|-----|---|----------------|-----|-------|---|---|-----------------------------|--------|--------------------------------------|---------------------|
| | | | | | | | DEC. | INCHES | | |
| 11 | ADDED THE OPTIONAL CORD CONNECTION | JAH 11-12-2014 | RD | | | | | | | CHK RD 11-12-2014 |
| 10 | PRESSURE CONNECTORS ADDED (QTY 3) | PVR 07-09-2014 | GR | | | | | | | APPD RD 11-12-2014 |
| 9 | ADDED 4A, 5A, & 6A "IF REQUIRED" MU44987 | MSG 01-07-2002 | SAS | .X | ± | - | | | | SCALE 1=1 |
| 8 | ADDED ACTUAL PROTECTOR VIEW CN 17481 | KL 05-18-1994 | | .XX | ± | - | | | TITLE CONNECTION DIAGRAM | REF |
| 7 | REWORDED WEST PLAINS NOTE – PER WEST PLAINS | DD 01-12-1994 | | .XXX | ± | - | | | SINGLE VOLT – 3Ø WITH OVERLOAD PROT. | |
| 6 | REDRAWN ON CAD – "WEST PLAINS" NOTE ADDED | KL 08-26-1993 | | .XXXX | ± | - | | | MAT'L. | FMF |
| | | | | | ± | - | | | FINISH | PREV |

THIS DRAWING IN DESIGN AND DETAIL IS OUR PROPERTY AND MUST NOT BE USED EXCEPT IN CONNECTION WITH OUR WORK ALL RIGHTS OF DESIGN AND INVENTION ARE RESERVED THIS IS AN ELECTRONICALLY GENERATED DOCUMENT – DO NOT SCALE THIS PRINT

| | | | | | |
|------------|------------------|--------|---------------------|---------|---------|
| RFP | CAD FILE EE7335B | SIZE A | DRAWING NO. EE7335B | PAGE OF | REV. 11 |
| DIST LB-WP | | | | | |



P.O. BOX 8003
WAUSAU, WI 54401-8003
PH. 715-675-3311

DATA VOLTS: 460

CERTIFICATION DATA SHEET

CUSTOMER P.O. #:
 ORDER #: EE7335B
 REFERENCE MODEL #: 56T17G15615
 CONN. DIAGRAM: B-104188-881 CAT #: G946A
 OUTLINE: ZT4257 R6 4 CUSTOMER PART #:
 WINDING: MOUNTING: F1 ONLY
 SPEED:
 TYPICAL MOTOR PERFORMANCE DATA

| HP | KW | SYNC RPM | FL RPM | FRAME | ENCLOSURE | TYPE | KVA CODE | DESIGN |
|----|------|----------|--------|-------|-----------|------|----------|--------|
| 1 | 0.75 | 1800 | 1785 | 56C | EPFC | TFR | P | A |

| PH | HZ | VOLTS | AMPS | START TYPE | DUTY | INSL | S.F. | AMB | ELEV. |
|----|----|-------|------|-----------------|------|------|------|-----|-------|
| 3 | 60 | 575 | 1.3 | ACROSS-THE LINE | CONT | B | 1.15 | 40 | 3300 |

| F.L. EFF | 85.5 | 3/4 LD EFF | 84.0 | 1/2 LD EFF | 81.5 | GTD EFF | 82.5 | ELECT. TYPE | SO CAGE IND RUN |
|----------|------|------------|------|------------|------|---------|------|-------------|-----------------|
| F.L. PF | 68.0 | 3/4 LD PF | 59.5 | 1/2 LD PF | 46.5 | | | | |

| F.L. TORQUE | LR AMPS @ 460 V | L.R. TORQUE | B.D. TORQUE <th>F.L. RISE (°C)</th> | F.L. RISE (°C) | | |
|-------------|-----------------|-------------|-------------------------------------|----------------|------|----|
| 3.0 LB-FT | 13.6 | 13.7 LB-FT | 457% | 16.8 LB-FT | 560% | 30 |

| @ 3 FT. DBA | 71 DBA | ROTOR WK ² | 0 LB-FT ² | MAX. LOAD WK ² | 15 SEC. | SAFE STALL TIME | 2 | START/SHOUR | 48 | MOTOR WGT | LB. |
|-------------|--------|-----------------------|----------------------|---------------------------|---------|-----------------|---|-------------|----|-----------|-----|
|-------------|--------|-----------------------|----------------------|---------------------------|---------|-----------------|---|-------------|----|-----------|-----|

*** SUPPLEMENTAL INFORMATION ***

| DE BRACKET TYPE | C-FACE | ODE BRACKET TYPE | STANDARD | MOUNT TYPE | ROUND | MOTOR ORIENTATION | HORIZONTAL | SEVERE DUTY | NO | HAZARDOUS LOCATION | DF CL I GR C&D CL II GF | DRIIP COVER | NO | SCREENS | NONE | PAINT | GRAY (POWDER) |
|-----------------|--------|------------------|----------|------------|-------|-------------------|------------|-------------|----|--------------------|-------------------------|-------------|----|---------|------|-------|---------------|
|-----------------|--------|------------------|----------|------------|-------|-------------------|------------|-------------|----|--------------------|-------------------------|-------------|----|---------|------|-------|---------------|

| BEARINGS | DE BALL 6203 | ODE | BALL 6203 | GREASE | POLYREX EM | SHAFT TYPE | T | SPECIAL DE | NONE | SPECIAL ODE | NONE | SHAFT | 1144 STRESSPROOF (C-223) | MATERIAL | ROLLED STEEL | FRAME MATERIAL | |
|----------|--------------|-----|-----------|--------|------------|------------|---|------------|------|-------------|------|-------|--------------------------|----------|--------------|----------------|--|
|----------|--------------|-----|-----------|--------|------------|------------|---|------------|------|-------------|------|-------|--------------------------|----------|--------------|----------------|--|

| THERMOSTATS | NONE | PROTECTORS | AUTOMATIC | WDG RTD's | NONE | BRG RTD's | NONE | THERMISTORS | NONE | CONTROL | FALSE | SPACE HEATERS | NA |
|-------------|------|------------|-----------|-----------|------|-----------|------|-------------|------|---------|-------|---------------|----|
|-------------|------|------------|-----------|-----------|------|-----------|------|-------------|------|---------|-------|---------------|----|

| R1 (ohms/ph) | 3.789 | R2 (ohms/ph) | 2.504 | X1 (ohms/ph) | 4.862 | X2 (ohms/ph) | 4.332 | Xm (ohms/ph) | 118.536 | VIBRATION (in/sec) | 0.150 | FLOAT | ODE |
|--------------|-------|--------------|-------|--------------|-------|--------------|-------|--------------|---------|--------------------|-------|-------|-----|
|--------------|-------|--------------|-------|--------------|-------|--------------|-------|--------------|---------|--------------------|-------|-------|-----|

| | | | |
|---|--|---------------------------|--|
| N | | INVERTER TORQUE: NONE | |
| O | | INV. HP SPEED RANGE: NONE | |
| T | | ENCODER: NONE | |
| E | | BRAKE: NONE | |
| S | | FT-LB: NONE | |
| . | | VOLTAGE: NONE | |
| | | NONE PPR | |

PREPARED BY: FAREEDA DUDEKULA
 DATE: 9/10/2018
 UL: V/INS, CONST UL REC
 HZ:

Data Sheet

56T17G15615

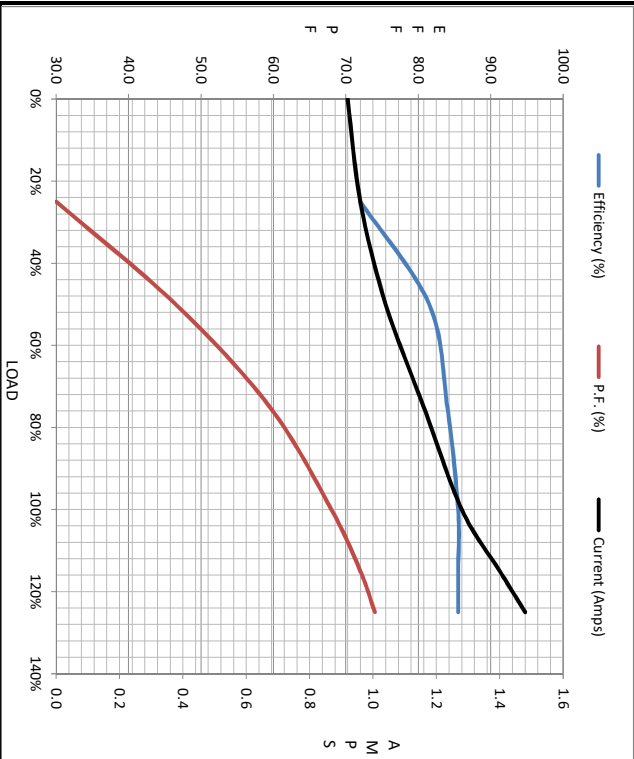


Submital
Data @ 575 V

Date: 9/10/2018
Customer: _____
Attention: _____
Submitted by: FAREEDA DUDEKULA

| Load | Motor Load Data | | | | | | | | | |
|----------------|-----------------|------|------|------|------|-------|------|------|--|--|
| | 0% | 25% | 50% | 75% | 100% | 115% | 125% | LR | | |
| Current (Amps) | 0.92 | 0.96 | 1.04 | 1.16 | 1.28 | 1.40 | 1.48 | 13.6 | | |
| Torque (ft-lb) | 0.00 | 0.75 | 1.50 | 2.25 | 3.0 | 3.5 | 3.8 | 13.7 | | |
| RPM | 1800 | 1790 | 1785 | 1775 | 1765 | 1,760 | 1755 | 0 | | |
| Efficiency (%) | | 72.0 | 81.5 | 84.0 | 85.5 | 85.5 | 85.5 | | | |
| P.F. (%) | 7.5 | 30.0 | 46.5 | 59.5 | 68.0 | 72.0 | 74.0 | 69.5 | | |

| | Motor Speed Data | | | | | Information Block | | | | | | | | | | | | | | | | | | | | | | |
|----------------|------------------|---------|------|-------|------|-------------------|-----------|---------------|-----------|--------------|---------|-----------|--------|----------------|----------------|----------------|------|---------|------------|-----------------------------|-----------|---------------------|------------|-------------|--------------|----------------------------|--|--|
| | LR | Pull-Up | BD | Rated | Idle | HP | Sync. RPM | Frame | Enclosure | Construction | Voltage | Frequency | Design | LR Code letter | Service Factor | Temp Rise @ FL | Duty | Ambient | Elevation | Motor/Shaft wk ² | Ret Wdg | Sound Pressure @ 1M | VFD Rating | Outline Dwg | Conn. Diag | Additional Specifications: | | |
| Speed (RPM) | 0 | 115 | 1270 | 1765 | 1800 | 1.0 | 1800 | 143182TFC6080 | EPC | TFR | 575 | 60 | A | P | 1.15 | 30 | CONT | 40 °C | 1,000 feet | 0.12 Lb-Ft ² | ZT4257 R6 | 62 | DBA | NONE | B-104188-881 | EE735B | | |
| Current (Amps) | 13.6 | 12.8 | 8.8 | 1.28 | 0.92 | | | | | | | | | | | | | | | | | | | | | | | |
| Torque (ft-lb) | 13.7 | 12.5 | 16.8 | 3.0 | 0.00 | | | | | | | | | | | | | | | | | | | | | | | |



| EQVIV CKT (OHMS / PHASE) | R1 | R2 | X1 | X2 | Xm |
|--------------------------|--------|--------|--------|--------|----------|
| | 3.7890 | 2.5040 | 4.8520 | 4.3320 | 118.5360 |

