

PRODUCT INFORMATION PACKET

marathon[®]
Motors

Model No: 056T17G5315
Catalog No: G829
1/2,1800,EPFC,56C,3/60/208-230/460
Explosion Proof



Regal and Marathon are trademarks of Regal Beloit Corporation or one of its affiliated companies.
©2018 Regal Beloit Corporation, All Rights Reserved. MC017097E

REGAL[®]



Nameplate Specifications

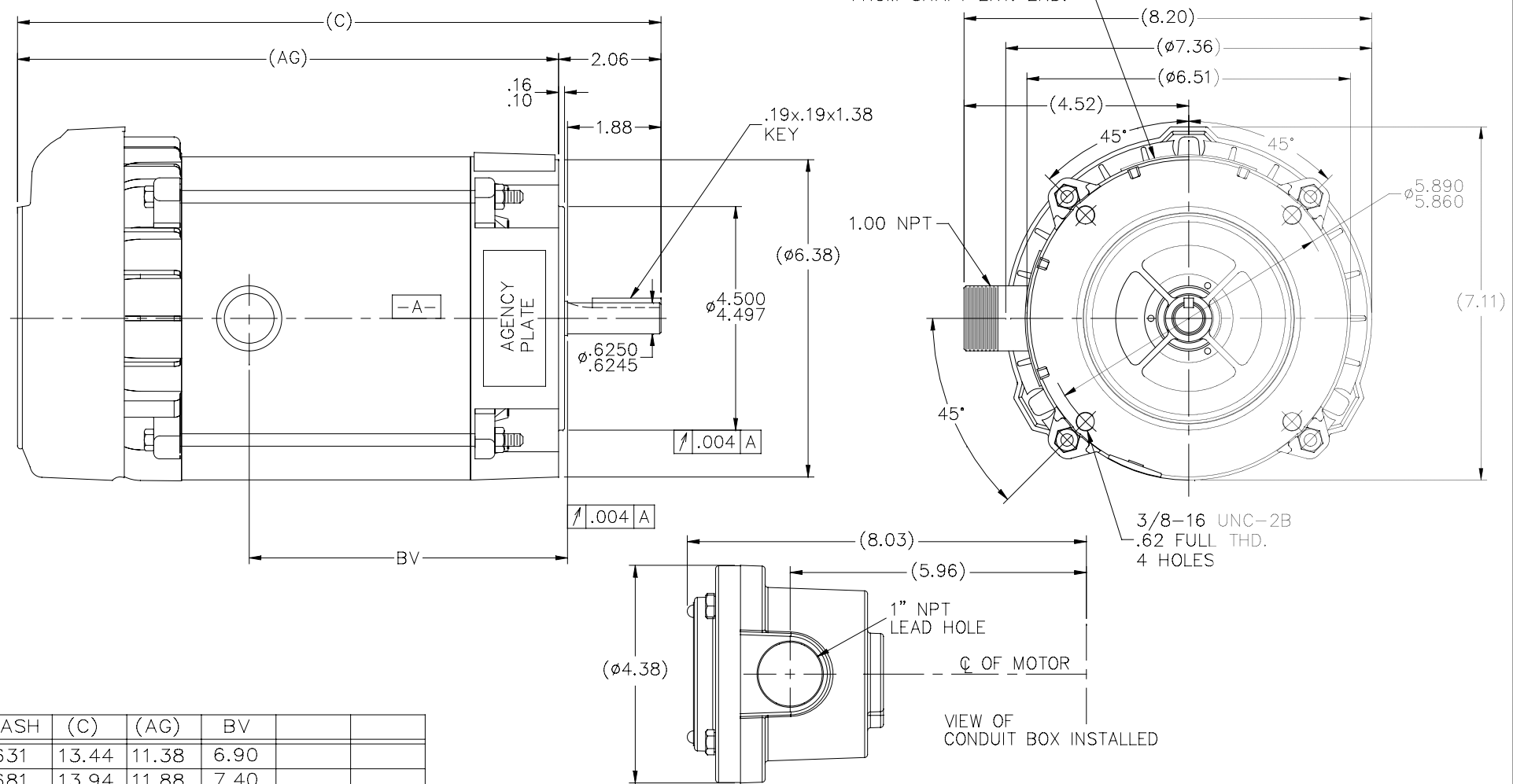
| | | | |
|----------------------------|-----------------------------------|------------------------|----------------------|
| Output HP | 0.50 Hp | Output KW | 0.37 kW |
| Frequency | 60 Hz | Voltage | 208-230/460 V |
| Current | 2.3-2.4/1.2 A | Speed | 1725 rpm |
| Service Factor | 1 | Phase | 3 |
| Efficiency | 68 % | Duty | Continuous |
| Insulation Class | B | Design Code | B |
| KVA Code | M | Frame | 56C |
| Enclosure | Explosion Proof Fan cooled | Overload Protector | Automatic |
| Ambient Temperature | 40 °C | Drive End Bearing Size | 6203 |
| Opp Drive End Bearing Size | 6203 | UL | Recognized |
| CSA | N | CE | N |
| IP Code | 54 | | |

Technical Specifications

| | | | |
|-----------------------|------------------------------------|-----------------------|------------------------|
| Electrical Type | Squirrel Cage Induction Run | Starting Method | Across The Line |
| Poles | 4 | Rotation | Reversible |
| Mounting | Round | Motor Orientation | Horizontal |
| Drive End Bearing | Ball | Opp Drive End Bearing | Ball |
| Frame Material | Rolled Steel | Shaft Type | T |
| Overall Length | 13.94 in | Frame Length | 6.81 in |
| Shaft Diameter | 0.625 in | Shaft Extension | 2.06 in |
| Assembly/Box Mounting | F1 Only | | |
| Outline Drawing | B-104188-681 | Connection Diagram | A-EE7335 |

104188

NAMEPLATES TO BE READ FROM SHAFT EXT. END.



| DASH | (C) | (AG) | BV | | |
|------|-------|-------|-------|--|--|
| 631 | 13.44 | 11.38 | 6.90 | | |
| 681 | 13.94 | 11.88 | 7.40 | | |
| 731 | 14.44 | 12.38 | 7.90 | | |
| 781 | 14.94 | 12.88 | 8.40 | | |
| 831 | 15.44 | 13.38 | 8.90 | | |
| 881 | 15.94 | 13.88 | 9.40 | | |
| 931 | 16.44 | 14.38 | 9.90 | | |
| 981 | 16.94 | 14.88 | 10.40 | | |

| NO. | REVISION | BY & DATE | CHK | ANG | TOLERANCES UNLESS SPECIFIED | FINISH | PREV |
|-----|--|----------------|-----|-------|-----------------------------|--------|------|
| 6 | | SL 09/15/15 | | | | | |
| 5 | COND. BOX INSTALLED VIEW UPDATED PER ECR-0044571 | UD 10/10/13 | ST | DEC. | INCHES | | |
| 4 | REVISED C'BOX PER CN40784A | JJB 02/23/2007 | ML | .X | ±.1 | | |
| 3 | REDRAWN IN AUTOCAD | TAT 06-28-2004 | ML | .XX | ±.03 | | |
| 2 | ADDED CONDUIT BOX VIEW CN 26686 | MRB 03-22-1999 | | .XXX | ±.005 | | |
| 1 | NEW DRAWING CN 23099 | MH 12-02-1996 | SM | .XXXX | ±.0005 | | |
| | | | | | ±7'30" | | |

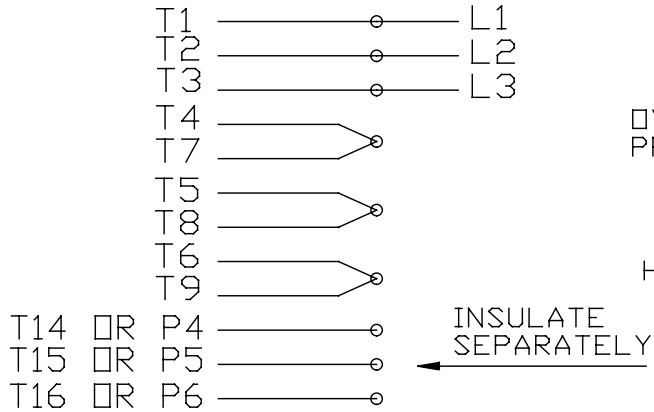
| | | | | | | | | | |
|--|--|--|--|---------|-----------------|--------|--------------------|---------|--------|
| THIS DRAWING IN DESIGN AND DETAIL IS OUR PROPERTY AND MUST NOT BE USED EXCEPT IN CONNECTION WITH OUR WORK ALL RIGHTS OF DESIGN AND INVENTION ARE RESERVED THIS IS AN ELECTRONICALLY GENERATED DOCUMENT - DO NOT SCALE THIS PRINT | | | | RFP | CAD FILE 104188 | SIZE B | DRAWING NO. 104188 | PAGE OF | REV. 6 |
| | | | | DIST WP | | | | | |

REGAL Regal Beloit America, Inc.

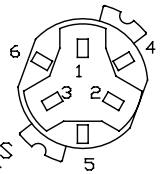
TITLE OUTLINE - 'C' FACE
56C/145TCZ FR - EXP PR.

EE7335

HIGH VOLTAGE CONNECTIONS

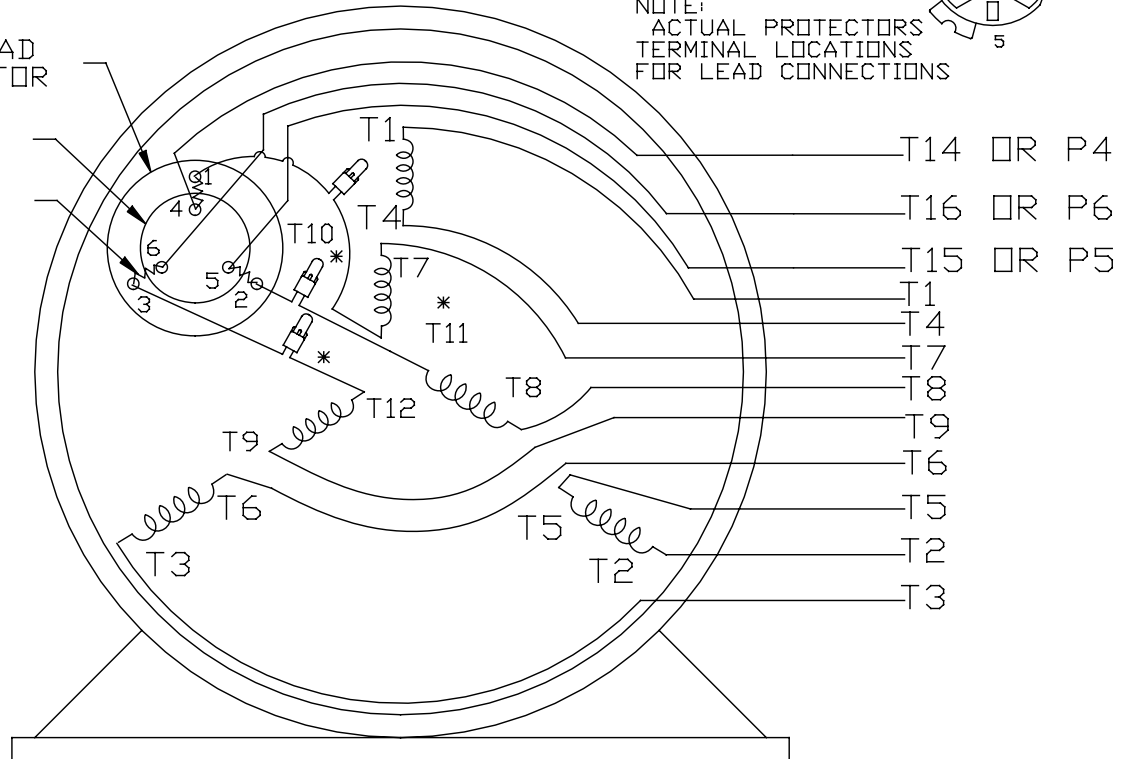


THREE PHASE - DUAL VOLTAGE MOTOR WITH OVERLOAD PROTECTOR

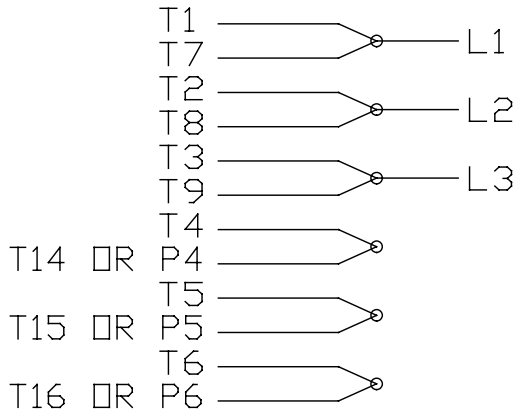


NOTE:
ACTUAL PROTECTORS
TERMINAL LOCATIONS
FOR LEAD CONNECTIONS

OVERLOAD
PROTECTOR
DISC
HEATER



LOW VOLTAGE CONNECTIONS



VIEW OF TERMINAL END

| |
|------|
| T2K |
| T4D |
| T6AN |

* USE PRESSURE CONNECTORS FOR MT2 PLANT ONLY

| NO. | REVISION | BY & DATE | CHK | TOLERANCES UNLESS SPECIFIED | | FINISH | DRAWN | SCALE | REV. | |
|--|-------------------------------------|--------------|-----|-----------------------------|----------|---|-------|-------------|------------|--|
| | | | | ANG | ±1/2* | | | | | |
| 17 | CHANGED LOGO FROM MARATHON TO REGAL | KIR 02/16/16 | AB | DEC. | INCHES | REGAL™ Regal Beloit America, Inc. | KL | 08-09-1993 | | |
| 16 | PRESSURE CONNECTORS QUANTITY WAS 6 | PVR 10/29/13 | GR | .X | ±.1 | | CHK | ML | 08/10/1993 | |
| 15 | PRESSURE CONNECTORS ADDED | GR 03/04/13 | SR | .XX | ±.01 | | APPD | GK | 08/10/1993 | |
| 14 | ADDED ACTUAL PROECTOR VIEW CN 17481 | KL 05/18/94 | | .XXX | ±.005 | TITLE | | | | |
| 13 | REDRAWN IN AUTO CAD | KL 08/11/93 | | .XXXX | ±.0005 | CONNECTION DIAGRAM 3Ø-DUAL VOLT WITH OVERLOAD PROTECTO | | SCALE | 1=1 | |
| | | | | | | MAT'L. | | REF | | |
| | | | | | | | | FMF | | |
| | | | | | | | | PREV | | |
| THIS DRAWING IN DESIGN AND DETAIL IS OUR PROPERTY AND MUST NOT BE USED EXCEPT IN CONNECTION WITH OUR WORK ALL RIGHTS OF DESIGN AND INVENTION ARE RESERVED THIS IS AN ELECTRONICALLY GENERATED DOCUMENT - DO NOT SCALE THIS PRINT | | | | RFP | CAD FILE | EE7335 | SIZE | DRAWING NO. | REV. | |
| | | | | DIST | | | A | EE7335 | 17 | |

CERTIFICATION DATA SHEET

Model#: 56T17G5315 D WINDING#: ZT408 R8 3
 CONN. DIAGRAM: A-EE7335 ASSEMBLY: F1 ONLY
 OUTLINE: B-104188-681

TYPICAL MOTOR PERFORMANCE DATA

| HP | KW | SYNC. RPM | F.L. RPM | FRAME | ENCLOSURE | KVA CODE | DESIGN | | | | | | |
|------------------------|-----|--------------------|-------------|--------------------|------------|---------------|--------|-----------------|-----------|---------------|--|-------------------|--|
| 1/2 | .37 | 1800 | 1725 | 56C | EPFC | M | B | | | | | | |
| PH | Hz | VOLTS | FL AMPS | START TYPE | DUTY | INSL | S.F | AMB°C | ELEVATION | | | | |
| 3 | 60 | 208-230/460 | 2.3-2.4/1.2 | ACROSS THE LINE | CONTINUOUS | B3 | 1.0 | 40 | 3300 | | | | |
| FULL LOAD EFF: 68 | | 3/4 LOAD EFF: 65.5 | | 1/2 LOAD EFF: 63.5 | | GTD. EFF | | ELEC. TYPE | | NO LOAD AMPS | | | |
| FULL LOAD PF: 61.1 | | 3/4 LOAD PF: 48.5 | | 1/2 LOAD PF: 38 | | 64 | | SQ CAGE IND RUN | | 1.8 / .9 | | | |
| F.L. TORQUE | | LOCKED ROTOR AMPS | | L.R. TORQUE | | B.D. TORQUE | | F.L. RISE°C | | | | | |
| 1.5 LB-FT | | 14 / 7 | | 6.2 LB-FT 413 | | 7.2 LB-FT 480 | | 45 | | | | | |
| SOUND PRESSURE @ 3 FT. | | SOUND POWER | | ROTOR WK^2 | | MAX. WK^2 | | SAFE STALL TIME | | STARTS / HOUR | | APPROX. MOTOR WGT | |
| 62 dBA | | 72 dBA | | 0.05 LB-FT^2 | | 3 LB-FT^2 | | 15 SEC. | | 2 | | 25 LBS. | |

*** SUPPLEMENTAL INFORMATION ***

| DE BRACKET TYPE | ODE BRACKET TYPE | MOUNT TYPE | ORIENTATION | SEVERE DUTY | HAZARDOUS LOCATION | DRIP COVER | SCREENS | PAINT |
|-----------------|------------------|------------|-------------|-------------|--|------------|---------|---------------|
| C-FACE | STANDARD | ROUND | HORIZONTAL | FALSE | EXP PROOF CL I GR C&D CL II GR F&G T3B | FALSE | NONE | GRAY (POWDER) |

| BEARINGS | | GREASE | SHAFT TYPE | SPECIAL DE | SPECIAL ODE | SHAFT MATERIAL | FRAME MATERIAL |
|----------|------|------------|------------|------------|-------------|--------------------------|----------------|
| DE | OPE | POLYREX EM | T | NONE | NONE | 1144 STRESSPROOF (C-223) | ROLLED STEEL |
| BALL | BALL | | | | | | |
| 6203 | 6203 | | | | | | |

| THERMO-PROTECTORS | | | | THERMISTORS | CONTROL | SPACE /n HEATERS |
|-------------------|------------|----------|----------|-------------|---------|------------------|
| THERMOSTATS | PROTECTORS | WDG RTDs | BRG RTDs | NONE | FALSE | NONE VOLTS |
| NONE | AUTOMATIC | NONE | NONE | | | |

If Inverter equals NONE, contact factory for further information

| |
|---------------------------|
| INVERTER TORQUE: NONE |
| INV. HP SPEED RANGE: NONE |
| ENCODER: NONE |
| NONE NONE |
| NONE NONE PPR |
| BRAKE: NONE NONE |
| NONE P/N NONE |
| NONE NONE |
| NONE FT-LB NONE V NONE Hz |

*
N
O
T
E
S
*