

PRODUCT INFORMATION PACKET

Model No: 056T17G5321
Catalog No: G666
1/2,1800,EPFC,56,3/60/575
Explosion Proof



Regal and Marathon are trademarks of Regal Beloit Corporation or one of its affiliated companies.
©2018 Regal Beloit Corporation, All Rights Reserved. MC017097E





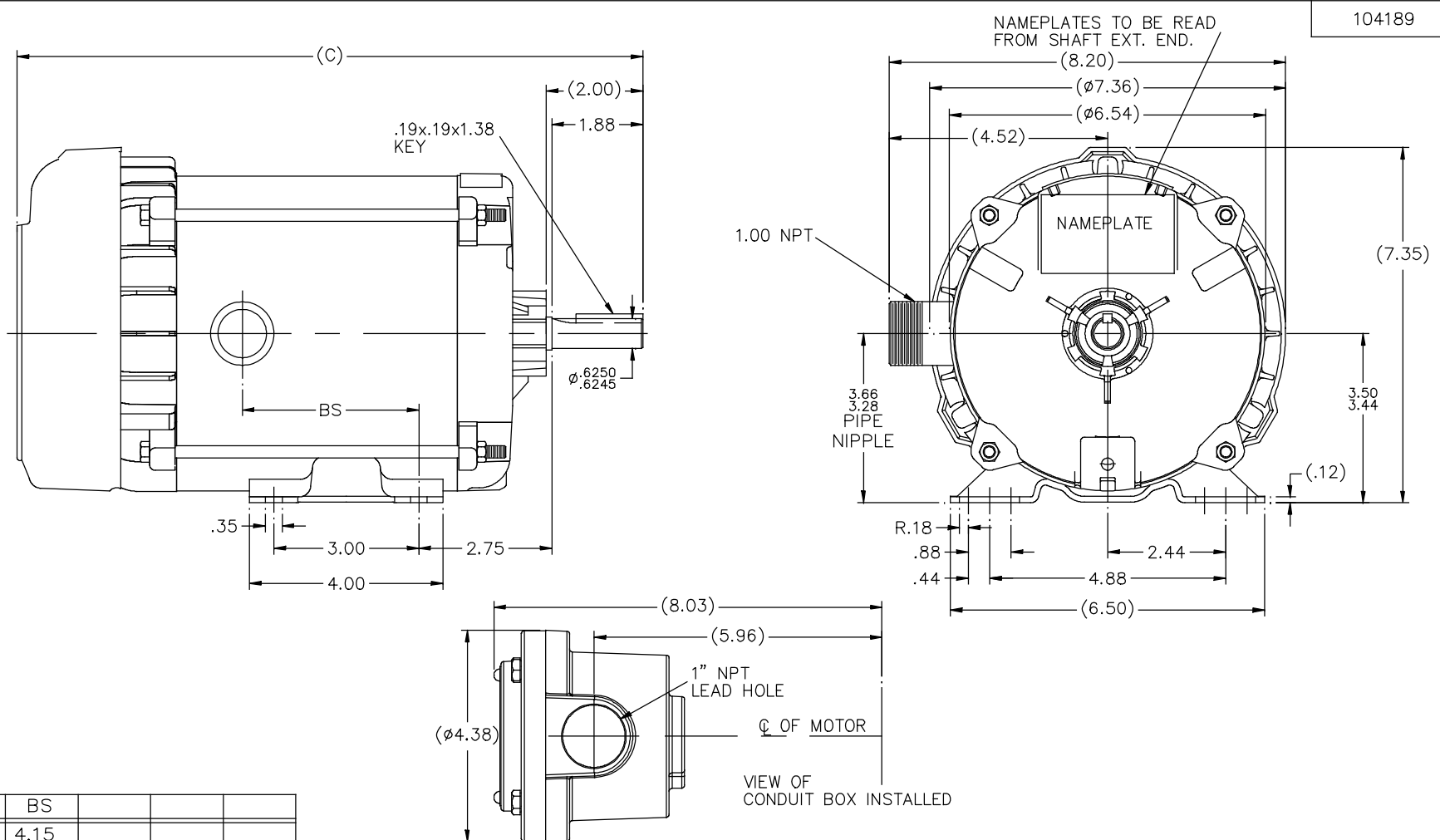
Nameplate Specifications

Output HP	0.50 Hp	Output KW	0.37 kW
Frequency	60 Hz	Voltage	575 V
Current	0.95 A	Speed	1725 rpm
Service Factor	1	Phase	3
Efficiency	68 %	Duty	Continuous
Insulation Class	B	Design Code	NO DESIGN CODE
KVA Code	M	Frame	56
Enclosure	Explosion Proof Fan cooled	Overload Protector	Automatic
Ambient Temperature	40 °C	Drive End Bearing Size	6203
Opp Drive End Bearing Size	6203	UL	Recognized
CSA	N	CE	N
IP Code	54		

Technical Specifications

Electrical Type	Squirrel Cage Induction Run	Starting Method	Across The Line
Poles	4	Rotation	Reversible
Mounting	Rigid base	Motor Orientation	Horizontal
Drive End Bearing	Ball	Opp Drive End Bearing	Ball
Frame Material	Rolled Steel	Shaft Type	NEMA 56
Overall Length	13.94 in	Frame Length	6.81 in
Shaft Diameter	0.625 in	Shaft Extension	2 in
Assembly/Box Mounting	F1 Only		
Outline Drawing	B-104189-681	Connection Diagram	A-EE7335B

This is an uncontrolled document once printed or downloaded and is subject to change without notice. Date Created: 06/29/2018

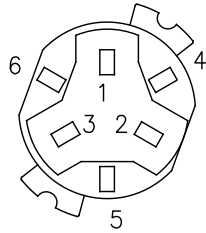


104189

DASH	(C)	BS			
631	13.44	4.15			
681	13.94	4.65			
731	14.44	5.15			
781	14.94	5.65			
831	15.44	6.15			
881	15.94	6.65			
931	16.44	7.15			
981	16.94	7.65			

				TOLERANCES UNLESS SPECIFIED		REGAL™ Regal Beloit America, Inc.		DRAWN MH 11-20-1996	
				DEC.	INCHES			CHK	ML 12-02-1996
4	COND. BOX INSTALLED VIEW UPDATED PER ECR-0044571	UD	10/15/13	ST	.X	±.1		APPD	GK 12-02-1996
3	REVISED C'BOX PER CN40784A	JJB	02/23/2007	ML	.XX	±.03	TITLE OUTLINE	SCALE	1=2
2	ADDED CONDUIT BOX VIEW CN 26686	MRB	03-22-1998		.XXX	±.005	56 FR. - EXP. PR. - TEFC - 1Ø & 3Ø	REF	
1	NEW DRAWING CN 23099	MH	12-02-1996		.XXXX	±.0005	MAT'L	FMF	
NO.	REVISION	BY & DATE		CHK	ANG	±7'30"	FINISH	PREV	
THIS DRAWING IN DESIGN AND DETAIL IS OUR PROPERTY AND MUST NOT BE USED EXCEPT IN CONNECTION WITH OUR WORK. ALL RIGHTS OF DESIGN AND INVENTION ARE RESERVED. THIS IS AN ELECTRONICALLY GENERATED DOCUMENT - DO NOT SCALE THIS PRINT				RFP	CAD FILE 104189			SIZE	DRAWING NO. PAGE OF REV.
				DIST	WP			B	104189 4 4

SINGLE VOLTAGE – THREE PHASE WITH OVERLOAD PROTECTOR

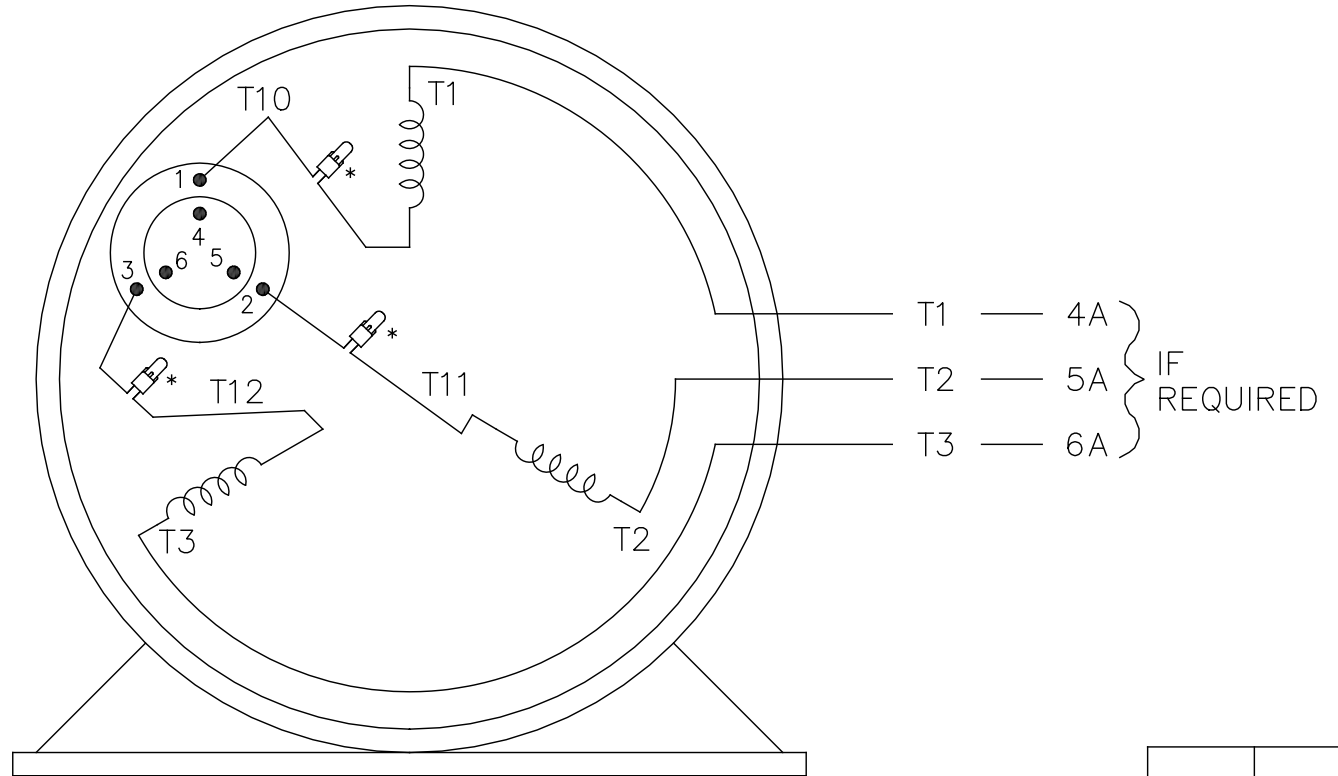


NOTE:
ACTUAL PROTECTOR
TERMINAL LOCATIONS
FOR LEAD CONNECTIONS

NOTE:

WEST PLAINS

LEADS WITH TERMINALS
SHOULD BE CONNECTED
TO INBOARD SIDE OF
TERMINAL BOARD.



–TO REVERSE ROTATION–
INTERCHANGE ANY TWO
LINE LEAD CONNECTIONS

VIEW OF TERMINAL END

OPTIONAL CORD CONNECTION

L1 — WHITE —

L2 — RED —

L3 — BLACK —

		T6CK
T6CA	T6BM	
T4CC	T4AY	
T4C	T2DL	
T6D	T2H	

* USE PRESSURE CONNECTORS FOR MT2 PLANT ONLY

NO.	REVISION	BY & DATE	CHK	ANG	TOLERANCES UNLESS SPECIFIED	FINISH	PREV
11	ADDED THE OPTIONAL CORD CONNECTION	JAH 11-12-2014	RD				DRAWN KL 08-25-1993
10	PRESSURE CONNECTORS ADDED (QTY 3)	PVR 07-09-2014	GR				CHK RD 11-12-2014
9	ADDED 4A, 5A, & 6A "IF REQUIRED" MU44987	MSG 01-07-2002	SAS	.X	± -		APPD RD 11-12-2014
8	ADDED ACTUAL PROTECTOR VIEW CN 17481	KL 05-18-1994		.XX	± -	TITLE CONNECTION DIAGRAM	SCALE 1=1
7	REWORDED WEST PLAINS NOTE – PER WEST PLAINS	DD 01-12-1994		.XXX	± -	SINGLE VOLT – 3Ø WITH OVERLOAD PROT.	REF
6	REDRAWN ON CAD – "WEST PLAINS" NOTE ADDED	KL 08-26-1993		.XXXX	± -	MAT'L.	FMF



THIS DRAWING IN DESIGN AND DETAIL IS OUR PROPERTY AND MUST NOT BE USED EXCEPT IN CONNECTION WITH OUR WORK ALL RIGHTS OF DESIGN AND INVENTION ARE RESERVED THIS IS AN ELECTRONICALLY GENERATED DOCUMENT – DO NOT SCALE THIS PRINT

RFP	CAD FILE EE7335B	SIZE A	DRAWING NO. EE7335B	PAGE OF	REV. 11
DIST LB-WP					

