

PRODUCT INFORMATION PACKET

Model No: 056T17W99021
 Catalog No: K608A
 1,1800,TEFC,56C,3/60/230/460
 Severe Duty



Regal and Marathon are trademarks of Regal Beloit Corporation or one of its affiliated companies.

©2018 Regal Beloit Corporation, All Rights Reserved. MC017097E



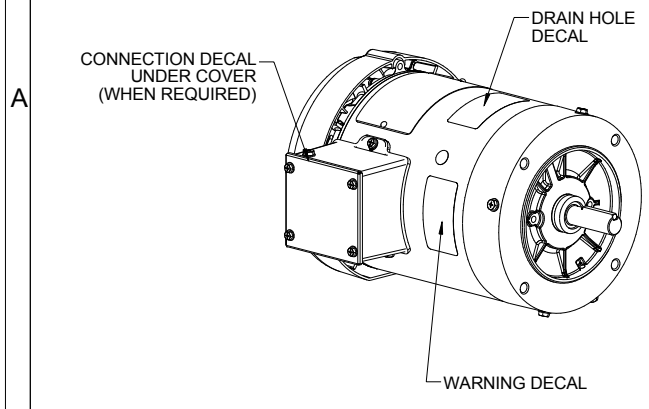
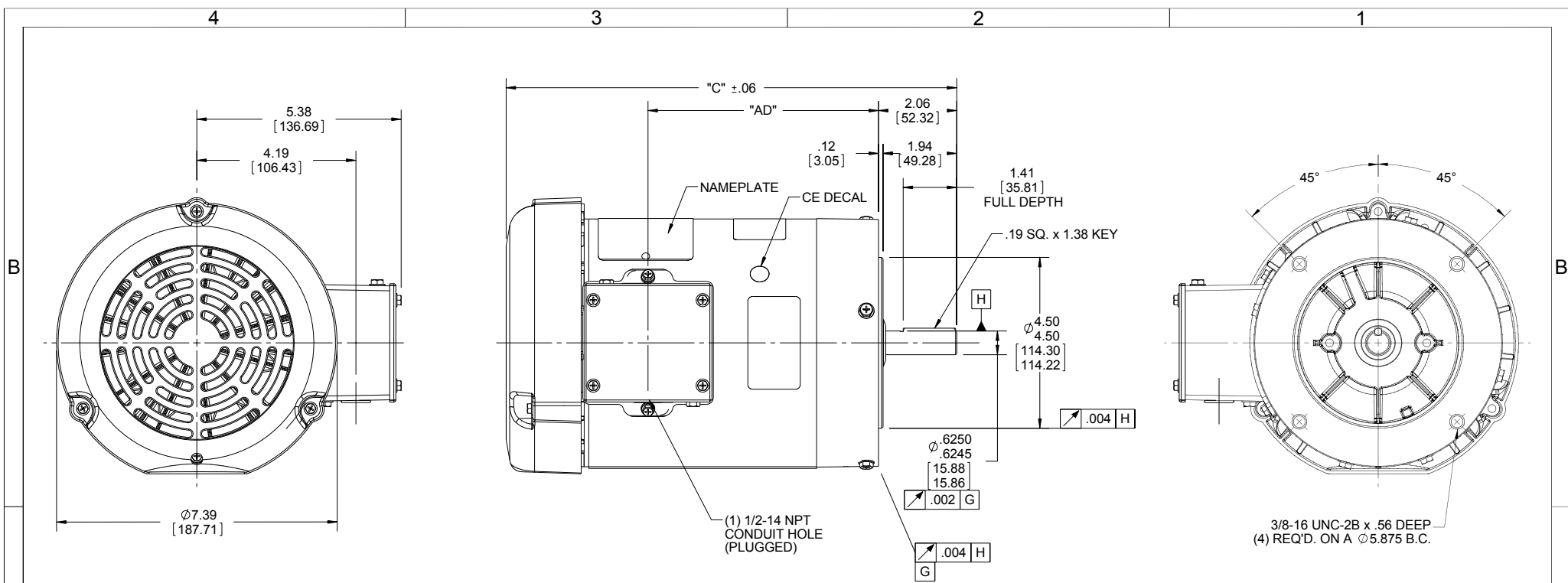
Nameplate Specifications

Output HP	1 Hp	Output KW	0.75 kW
Frequency	60 Hz	Voltage	230/460 V
Current	3.2/1.6 A	Speed	1760 rpm
Service Factor	1.15	Phase	3
Efficiency	85.5 %	Duty	Continuous
Insulation Class	F	Design Code	B
KVA Code	N	Frame	56C
Enclosure	Totally Enclosed Fan Cooled	Overload Protector	No
Ambient Temperature	40 °C	Drive End Bearing Size	6205
Opp Drive End Bearing Size	6203	UL	Recognized
CSA	Y	CE	Y
IP Code	55		

Technical Specifications

Electrical Type	Squirrel Cage Induction Run	Starting Method	Across The Line
Poles	4	Rotation	Reversible
Mounting	Round	Motor Orientation	HORIZONTAL
Drive End Bearing	BALL	Opp Drive End Bearing	BALL
Frame Material	Rolled Steel	Shaft Type	NEMA 56
Overall Length	12.87 in	Frame Length	7.00 in
Shaft Diameter	0.625 in	Shaft Extension	2.06 in
Assembly/Box Mounting	F1 ONLY		
Outline Drawing	607-0006ME-700	Connection Diagram	005010.20

This is an uncontrolled document once printed or downloaded and is subject to change without notice. Date Created: 10/30/2018



DASH NO.	"C"	"AD"
450	10.37	4.56
500	10.87	5.06
550	11.37	5.56
600	11.87	6.06
650	12.37	6.56
675	12.62	6.81
700	12.87	7.06
750	13.37	7.56
800	13.87	8.06

WASHGUARD MOTOR

SPECIAL FEATURES:

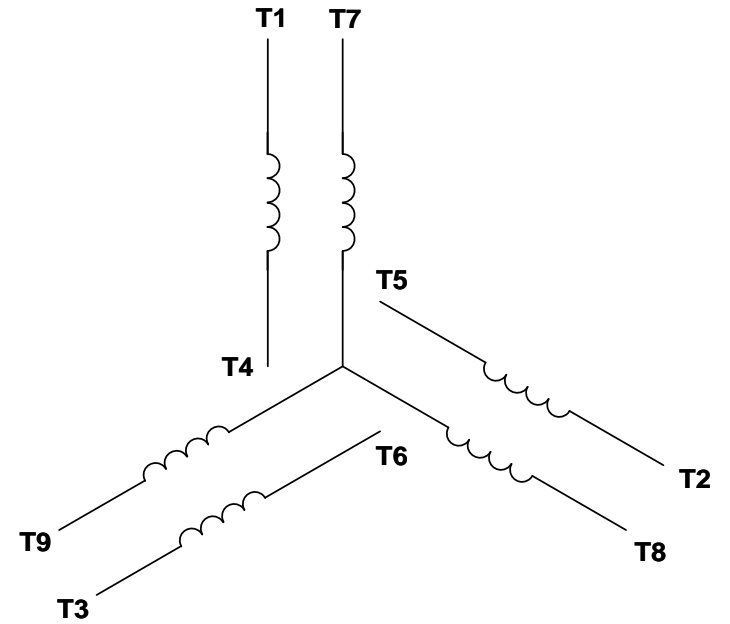
1. SHAFT SEALS & V-RING.
2. PLUGGED DRAIN HOLES IN ENDBELLS & CONDUIT BOX.
3. BUNA-N GASKETS THROUGHOUT.
4. STAINLESS STEEL SHAFT, HARDWARE & NAMEPLATE.

DRAWING REVISION C	REVISION BY LK	DATE 11/30/2015	TOLERANCES UNLESS OTHERWISE SPECIFIED: DEC. INCH mm ANGLE X .01 [+2.5] $\pm 0.5^\circ$.XX ± 0.01 [+0.25] .XXX ± 0.005 [+0.127] .XXXX ± 0.0005 [+0.0127]	DRAWN BY PVR 12/24/12	Regal Beloit America, Inc.		
ECO ECO-0089675	APPROVED BY GRB	DATE 11/30/2015	REMOVE BURRS & BREAK SHARP EDGES: .003/.015 [.076/.381] X 45° CORNER FILLETS: R.02 [.51] MACHINED SURFACES: 125 $\sqrt{.004}$ 3.2 $\sqrt{.004}$ INCH mm	DATE		DESCRIPTION OUTLINE TEFC - "C" FACE	
ECO DESCRIPTION ADDED DASH #800 PER NMR-0093544 COPYRIGHT REGAL BELOIT AMERICA, INC. ALL RIGHTS RESERVED. PROPRIETARY AND CONFIDENTIAL INFORMATION - THIS DOCUMENT IS THE PROPERTY OF REGAL BELOIT AMERICA, INC. ("OWNER") AND CONTAINS OWNER'S PROPRIETARY INFORMATION. ANY PERSON, CORPORATION OR OTHER FIRM RECEIVING IT IS DEEMED, BY RECEIVING IT, TO AGREE THAT IT, AND/OR ANY PART OF IT, SHALL NOT BE DISCLOSED TO ANY PERSON, CORPORATION OR OTHER ENTITY, DUPLICATED, AND/OR USED, EXCEPT AS EXPRESSLY APPROVED IN WRITING IN ADVANCE BY OWNER. THIS DOCUMENT SHALL BE RETURNED TO OWNER UPON REQUEST. IT MAY BE SUBJECT TO CERTAIN RESTRICTIONS UNDER APPLICABLE EXPORT CONTROL LAWS AND REGULATIONS.			THIRD ANGLE PROJECTION 	APPROVED BY	MATERIAL WASHGUARD	PROCESS/FINISH	
				DATE	SIZE B	DRAWING NUMBER 607-0006ME	SHEET 1 OF 1

VIEW FROM OUTSIDE OF MOTOR AT SWITCH END. Uncontrolled Copy



LINE LEADS



VOLTAGE	L1	L2	L3	JOIN & INSULATE
HIGH	T1	T2	T3	(T4,T7) (T5,T8) (T6,T9)
LOW	T1,T7	T2,T8	T3,T9	T4,T5,T6

DRAWING REVISION G	REVISION BY MVG	DATE 04/05/2017
ECO ECO-0121253	APPROVED BY SM	DATE 04/05/2017

ECO DESCRIPTION
ADDED P1 & P2 FOR TSTAT

COPYRIGHT REGAL BELOIT AMERICA, INC. ALL RIGHTS RESERVED.
PROPRIETARY AND CONFIDENTIAL INFORMATION - THIS DOCUMENT IS THE PROPERTY OF
REGAL BELOIT AMERICA, INC. ('OWNER') AND CONTAINS OWNER'S PROPRIETARY
INFORMATION. ANY PERSON, CORPORATION OR OTHER FIRM RECEIVING IT IS DEEMED,
BY RECEIVING IT, TO AGREE THAT IT, AND/OR ANY PART OF IT, SHALL NOT BE DISCLOSED
TO ANY PERSON, CORPORATION OR OTHER ENTITY, DUPLICATED, AND/OR USED, EXCEPT
AS EXPRESSLY APPROVED IN WRITING IN ADVANCE BY OWNER. THIS DOCUMENT SHALL
BE RETURNED TO OWNER UPON REQUEST. IT MAY BE SUBJECT TO CERTAIN
RESTRICTIONS UNDER APPLICABLE EXPORT CONTROL LAWS AND REGULATIONS.

TOLERANCES UNLESS OTHERWISE SPECIFIED:

DEC.	INCH	mm	ANGLE
.X	±0.1	[±2.5]	±0.5°
.XX	±0.01	[±0.25]	
.XXX	±0.005	[±0.127]	
.XXXX	±0.0005	[±0.0127]	

REMOVE BURRS & BREAK SHARP
EDGES: .003/.015 [.076/.381] X 45°
CORNER FILLETS: R.02 [.51]
MACHINED SURFACES: 125/3.2
INCH/mm

mm SHOWN IN [BRACKETS]

DRAWN BY DBT 12/16/97	DATE
APPROVED BY KH 12/17/97	DATE
REFERENCE	
THIRD ANGLE PROJECTION	

REGAL™ Regal Beloit America, Inc.

DESCRIPTION
CONN DIAGRAM-EXTERNAL
3 PHASE WITH PROTECTOR

MATERIAL DECAL - 004014 (TSTAT) - 080582	PROCESS/FINISH STOCK
SIZE A	DRAWING NUMBER 00501020
SHEET 1 OF 1	



P.O. BOX 8003
WAUSAU, WI 54401-8003
PH. 715-675-3311

DATA VOLTS: 460

CERTIFICATION DATA SHEET

CUSTOMER P.O. #:
 ORDER #: 00501020
 REFERENCE MODEL #: 56T17W99021
 CONN. DIAGRAM: 607-0006W/E-700
 CAT #: K608A
 WINDING: T634342 FR 3
 CUSTOMER PART #:
 MOUNTING: F1 ONLY
 SPEED:
 TYPICAL MOTOR PERFORMANCE DATA

HP	KW	SYNC RPM	FL RPM	FRAME	ENCLOSURE	TYPE	KVA CODE	DESIGN
1	0.75	1800	1780	56C	TEFC	TEF	N	B

PH	HZ	VOLTS	AMPS	START TYPE	DUTY	INSL	S.F.	AMB	ELEV.
3	60	230/460	3.1/1.55	ACROSS-THE LINE	CONT	F	1.15	40	3300
F.L. EFF		85.5	3/4 LD EFF	85.4	1/2 LD EFF	79.6	GTD EFF	ELECT. TYPE	
F.L. PF		68.5	3/4 LD PF	61.5	1/2 LD PF	51.5	0.0	SQ CAGE IND RUN	

F.L. TORQUE	LR AMPS @ 460 V	L.R. TORQUE	B.D. TORQUE	F.L. RISE (°C)
3.0 LB-FT	14.0	12.0 LB-FT	15.8 LB-FT	527%
@ 3 FT.	POWER	ROTOR WK ²	MAX. LOAD WK ²	SAFE STALL TIME
65 DBA	74 DBA	0.12 LB-FT ²	0 LB-FT ²	10 SEC.
				START/SHOUR
				MOTOR WGT
				0 LB.

*** SUPPLEMENTAL INFORMATION ***

DE BRACKET TYPE	ODE BRACKET TYPE	MOUNT TYPE	MOTOR ORIENTATION	SEVERE DUTY	HAZARDOUS LOCATION	DRIP COVER	SCREENS	PAINT
C-FACE	STANDARD	ROUND	HORIZONTAL	NO	NONE	NO	NONE	GRAY - EPOXY

BEARINGS	GREASE	SHAFT TYPE	SPECIAL DE	SPECIAL ODE	SHAFT MATERIAL	FRAME MATERIAL
DE BALL 6205	POLYREX EM	STANDARD 56	NONE	NONE	303 STAINLESS (C-501)	ROLLED STEEL

THERMOSTATS	PROTECTORS	WDG RTD's	BRG RTD's	THERMISTORS	CONTROL	SPACE HEATERS
NONE	AUTOMATIC	NONE	NONE	NONE	FALSE	NA

R1 (ohms/ph)	R2 (ohms/ph)	X1 (ohms/ph)	X2 (ohms/ph)	Xm (ohms/ph)	VIBRATION (in/sec)	FLOAT
0	0	0	0	0	0.080	ODE

* N		INVERTER TORQUE: NONE	
O		INV. HP SPEED RANGE: NONE	
T		ENCODER: NONE	
E		BRAKE: NONE	
S		FT-LB: NONE	
.		VOLTAGE: NONE	
		NONE PPR	

PREPARED BY: FAREEDA DUDEKULA
 DATE: 9/12/2018
 FORM: 3531 REV 4 2/27/06
 UL: V/INS, CONST UL REC
 HZ:

