

PRODUCT INFORMATION PACKET

Model No: 056T34D5364
Catalog No: X251
5,3600,DP,56HZ,3/60/208-230/460
Other Purpose



Regal and Marathon are trademarks of Regal Beloit Corporation or one of its affiliated companies.
©2018 Regal Beloit Corporation, All Rights Reserved. MC017097E





Nameplate Specifications

Output HP	5 Hp	Output KW	3.7 kW
Frequency	60 Hz	Voltage	208-230/460 V
Current	13.5-12.4/6.2 A	Speed	3450 rpm
Service Factor	1	Phase	3
Efficiency	84 %	Duty	Continuous
Insulation Class	B	Design Code	B
KVA Code	L	Frame	56HZ
Enclosure	Drip Proof	Overload Protector	Automatic
Ambient Temperature	40 °C	Drive End Bearing Size	6205
Opp Drive End Bearing Size	6205	UL	No
CSA	Y	CE	Y
IP Code	22		

Technical Specifications

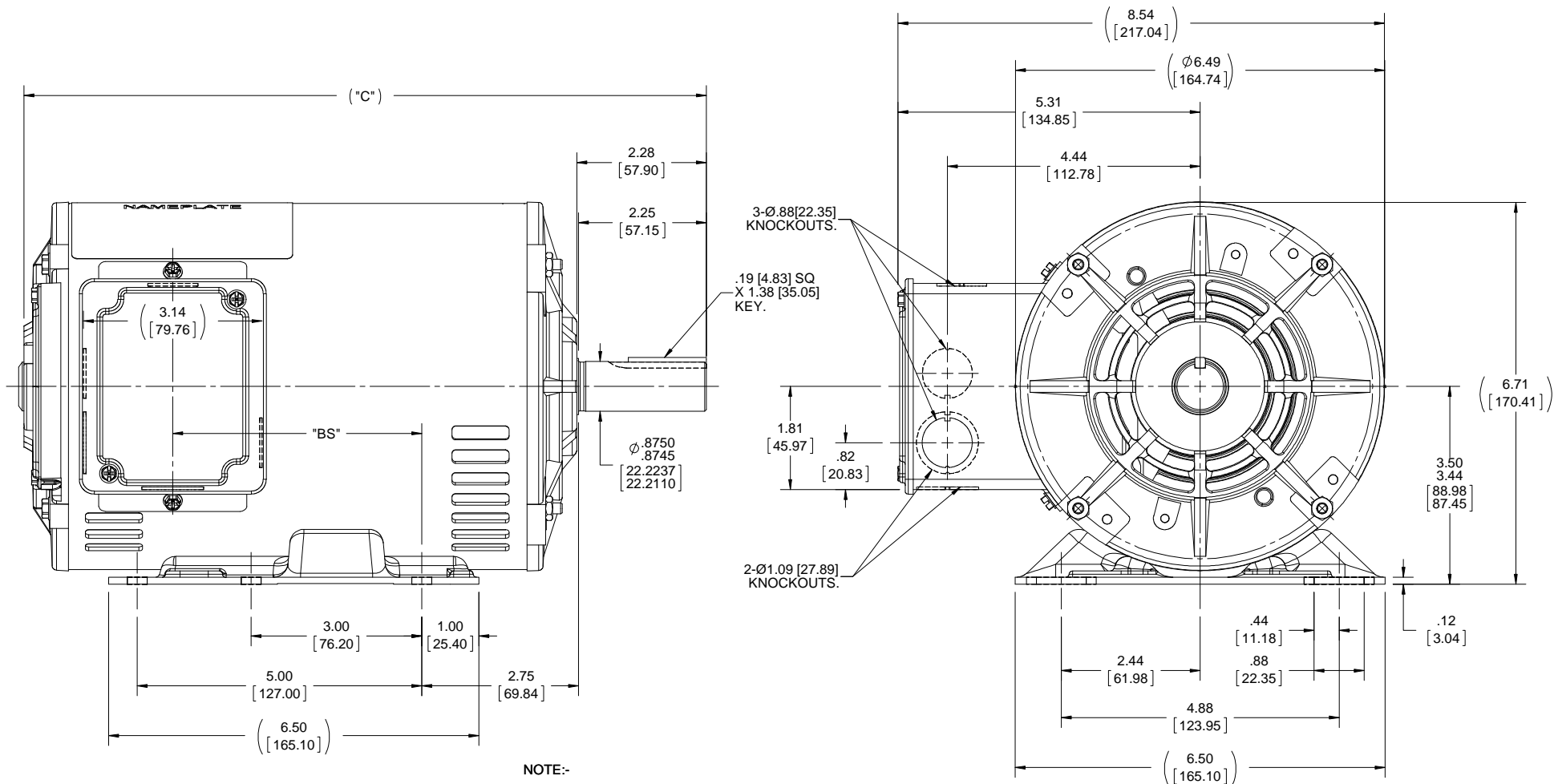
Electrical Type	Squirrel Cage Induction Run	Starting Method	Across The Line
Poles	2	Rotation	Reversible
Mounting	Rigid base	Motor Orientation	Horizontal
Drive End Bearing	Ball	Opp Drive End Bearing	Ball
Frame Material	Rolled Steel	Shaft Type	NEMA 145T
Overall Length	13.49 in	Frame Length	9.56 in
Shaft Diameter	0.625 in	Shaft Extension	2.25 in
Assembly/Box Mounting	F1 Only		
Outline Drawing	A-104452-956	Connection Diagram	A-EE7335

B

B

A

A



- NOTE:-
 1) CONDUIT BOX CAN BE ROTATED 180° STEP.
 2) NAMEPLATE READ FROM CONDUIT BOX SIDE.

DASH.	"C"	"BS/140T"
706	10.99 [279.15]	3.38 [85.85]
756	11.49 [291.85]	3.88 [98.55]
806	11.99 [304.55]	4.38 [111.25]
856	12.49 [317.25]	4.88 [123.95]
906	12.99 [329.95]	5.38 [136.65]
956	13.49 [342.65]	5.88 [149.35]

DRAWING REVISION	REVISION BY	DATE
D	A SUPPANAVAR	02/28/2018
ECO	APPROVED BY	DATE
ECO-0136109	PST	05/18/2018
ECO DESCRIPTION		
OUTLINE CONVERSION PROJECT		
COPYRIGHT REGAL BELOIT AMERICA, INC. ALL RIGHTS RESERVED.		
PROPRIETARY AND CONFIDENTIAL INFORMATION - THIS DOCUMENT IS THE PROPERTY OF REGAL BELOIT AMERICA, INC. ("OWNER") AND CONTAINS OWNER'S PROPRIETARY INFORMATION. ANY PERSON, CORPORATION OR OTHER FIRM RECEIVING IT IS DEEMED, BY RECEIVING IT, TO AGREE THAT IT, AND/OR ANY PART OF IT, SHALL NOT BE DISCLOSED TO ANY PERSON, CORPORATION OR OTHER ENTITY, DUPLICATED, AND/OR USED, EXCEPT AS EXPRESSLY APPROVED IN WRITING IN ADVANCE BY OWNER. THIS DOCUMENT SHALL BE RETURNED TO OWNER UPON REQUEST. IT MAY BE SUBJECT TO CERTAIN RESTRICTIONS UNDER APPLICABLE EXPORT CONTROL LAWS AND REGULATIONS.		

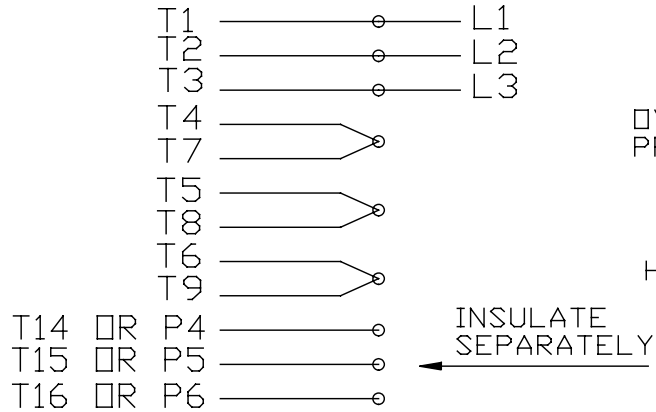
TOLERANCES UNLESS OTHERWISE SPECIFIED:		
DEC.	INCH	mm
.X	+0.1	[±2.5]
.XX	+0.02	[±0.51]
.XXX	+0.005	[±0.127]
.XXXX	+0.0005	[±0.0127]
REMOVE BURRS & BREAK SHARP EDGES: .003/.015 [0.076/.381] X 45°		
CORNER FILLETS: R.02 [51]		
MACHINED SURFACES: 200		
INCH		
mm		
5.1		
mm SHOWN IN [BRACKETS]		

DRAWN BY	DATE
MJD	05-18-1998
APPROVED BY	DATE
MRB	05-20-1998
REFERENCE	THIRD ANGLE PROJECTION
104452	

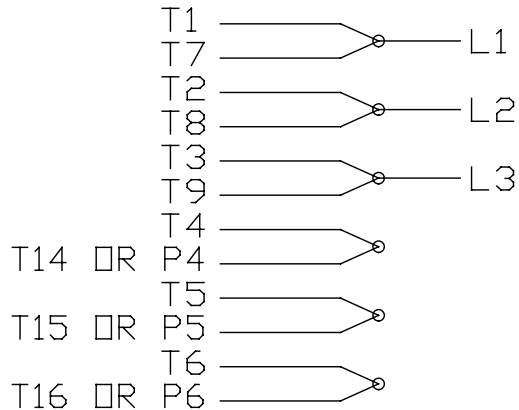
REGAL™ Regal Beloit America, Inc.	
DESCRIPTION	
OUTLINE	
56HZ-TS-DR. PR.-BB	
MATERIAL	PROCESS/FINISH
SIZE	DRAWING NUMBER
B	104452
	SHEET
	1 OF 1

EE7335

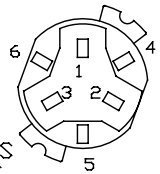
HIGH VOLTAGE CONNECTIONS



LOW VOLTAGE CONNECTIONS



THREE PHASE - DUAL VOLTAGE MOTOR WITH OVERLOAD PROTECTOR

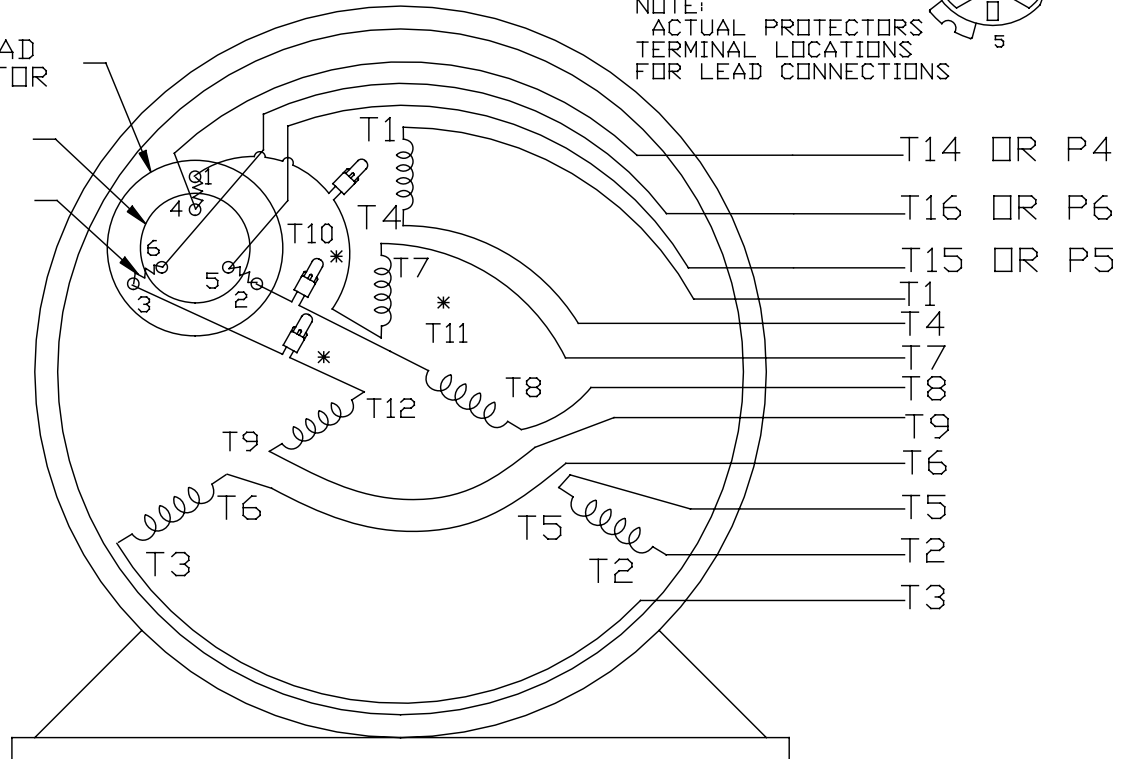


NOTE:
ACTUAL PROTECTORS
TERMINAL LOCATIONS
FOR LEAD CONNECTIONS

OVERLOAD PROTECTOR

DISC

HEATER



VIEW OF TERMINAL END

* USE PRESSURE CONNECTORS FOR MT2 PLANT ONLY

T2K
T4D
T6AN

NO.	REVISION	BY & DATE	CHK	TOLERANCES UNLESS SPECIFIED		FINISH	DRAWN	SCALE	REV.		
				DEC.	INCHES						
17	CHANGED LOGO FROM MARATHON TO REGAL	KIR 02/16/16	AB	DEC.	INCHES	Regal Beloit America, Inc.	KL	08-09-1993	17		
16	PRESSURE CONNECTORS QUANTITY WAS 6	PVR 10/29/13	GR	.X	±.1		CHK	ML	08/10/1993		
15	PRESSURE CONNECTORS ADDED	GR 03/04/13	SR	.XX	±.01		APPD	GK	08/10/1993		
14	ADDED ACTUAL PROECTOR VIEW CN 17481	KL 05/18/94		.XXX	±.005		TITLE		SCALE 1=1		
13	REDRAWN IN AUTO CAD	KL 08/11/93		.XXXX	±.0005		3Ø-DUAL VOLT WITH OVERLOAD PROTECTO	REF			
						MAT'L.		FMF			
						FINISH		PREV			
THIS DRAWING IN DESIGN AND DETAIL IS OUR PROPERTY AND MUST NOT BE USED EXCEPT IN CONNECTION WITH OUR WORK ALL RIGHTS OF DESIGN AND INVENTION ARE RESERVED THIS IS AN ELECTRONICALLY GENERATED DOCUMENT - DO NOT SCALE THIS PRINT						RFP	CAD FILE	EE7335	SIZE	DRAWING NO.	REV.
						DIST			A	EE7335	17

