

PRODUCT INFORMATION PACKET

Model No: 056T34F15598
Catalog No: K500A
1,3600,TEFC,56C,3/60/230/460
Totally Enclosed Fan Cooled (TEFC)



Regal and Marathon are trademarks of Regal Beloit Corporation or one of its affiliated companies.
©2018 Regal Beloit Corporation, All Rights Reserved. MC017097E





Nameplate Specifications

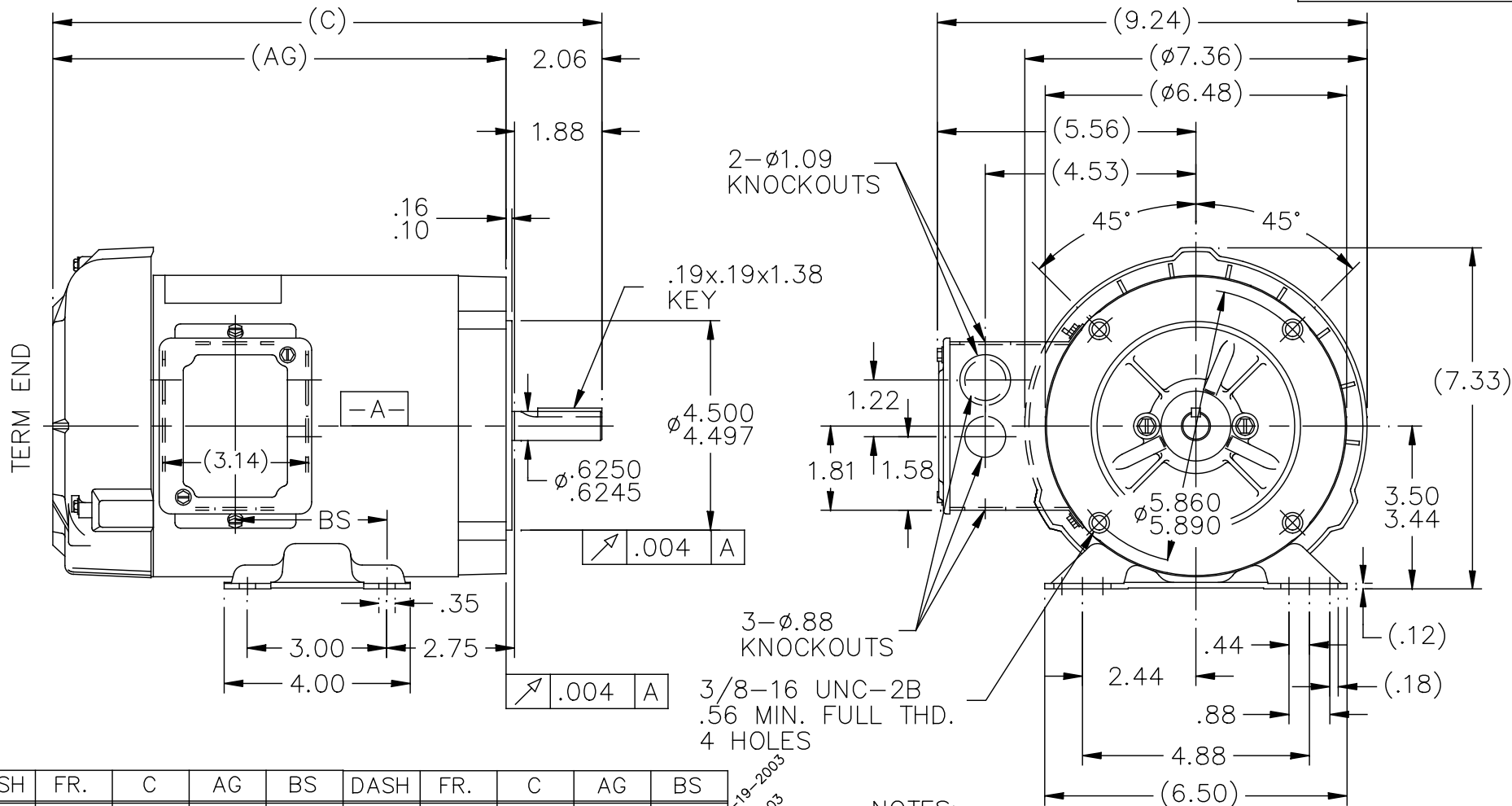
Output HP	1 Hp	Output KW	0.75 kW
Frequency	60 Hz	Voltage	230/460 V
Current	3.0/1.5 A	Speed	3450 rpm
Service Factor	1.25	Phase	3
Efficiency	78.5 %	Duty	Continuous
Insulation Class	B	Design Code	B
KVA Code	J	Frame	56C
Enclosure	Totally Enclosed Fan Cooled	Overload Protector	No
Ambient Temperature	40 °C	Drive End Bearing Size	6203
Opp Drive End Bearing Size	6203	UL	Recognized
CSA	Y	CE	Y
IP Code	43		

Technical Specifications

Electrical Type	Squirrel Cage Induction Run	Starting Method	Across The Line
Poles	2	Rotation	Reversible
Mounting	Rigid base	Motor Orientation	Horizontal
Drive End Bearing	Ball	Opp Drive End Bearing	Ball
Frame Material	Rolled Steel	Shaft Type	T
Overall Length	11.81 in	Frame Length	6.56 in
Shaft Diameter	0.625 in	Shaft Extension	2.06 in
Assembly/Box Mounting	F1/F2 Capable		
Outline Drawing	A-100110-656	Connection Diagram	EE7308

This is an uncontrolled document once printed or downloaded and is subject to change without notice. Date Created: 06/29/2018


100110



NOTES:
 1. CONDUIT BOX CAN BE ROTATED 180°
 2. NAMEPLATE READ FROM CONDUIT BOX SIDE OF MOTOR.

DASH	FR.	C	AG	BS	DASH	FR.	C	AG	BS
606	56-60	11.31	9.25	2.75	756	56-75	12.81	10.75	4.25
656	56-65	11.81	9.75	3.25	806	56-80	13.31	11.25	4.75
706	56-70	12.31	10.25	3.75	856	56-85	13.81	11.75	5.25

NO.	REVISION	BY & DATE	CHK	ANG	TOLERANCES UNLESS SPECIFIED	
					DEC.	INCHES
5	CHANGED LOGO TO REGAL	SL 04/20/2016	SM	.XX	±.03	
4	AD'D NAMEPLATE LOC. CN 27400-296	BLR 08/05/1999	ML	.XXX	±.005	
3	REDRAWN ON CADD - NO CHANGE 4128208	KL 04/01/1998	ML	.XXXX	±.0005	
					±7'30"	

 Regal Beloit America, Inc.		DRAWN KL 02/28/1994 CHK ML 02/28/1994 APPD ET 03/02/1994
TITLE OUTLINE 56 FR. - TEFC - 3ø - C'FACE		SCALE 5=16
MAT'L.		REF
FINISH		FMF MU48878
		PREV

THIS DRAWING IN DESIGN AND DETAIL IS OUR PROPERTY AND MUST NOT BE USED EXCEPT IN CONNECTION WITH OUR WORK ALL RIGHTS OF DESIGN AND INVENTION ARE RESERVED THIS IS AN ELECTRONICALLY GENERATED DOCUMENT - DO NOT SCALE THIS PRINT				RFP	CAD FILE 100110	SIZE A	DRAWING NO. 100110	PAGE OF	REV. 5
				DIST WP					

EE7308

THREE PHASE
DUAL VOLTAGE MOTOR



VIEW OF TERMINAL END

REF.
WINDING DIAGRAM

T8Y, T2Y, T2BL, T4BX, T2EC, T2G
T6BZ, T2B, T6BL, T4AV, T6B, T4B

OPTIONAL CORD
CONNECTION

L1 — WHITE
L2 — RED
L3 — BLACK

NO.	REVISION	BY & DATE	CHK	ANG	TOLERANCES UNLESS SPECIFIED		FINISH	DRAWN RM 11/20/1990				
					DEC.	INCHES						
5	CHG TO REGAL LOGO	SL 09/10/2015	AB					CHK ML 11/21/1990				
4	REVISED IEC NOTATIONS	MSG 11/15/2011	CMN	.X	±.1			APPD SAS 04/24/2003				
3	ADDED IEC NOTATIONS... (U1), (V1) ETC. MU95194	MSG 5/10/2010	MJS	.XX	±.02		TITLE CONNECTION DIAGRAM	SCALE 1=1				
2	ADDED THE OPTIONAL CORD CONNECTION MU46318	RDH 04/24/2003	DRS	.XXX	±.005		3Ø - DUAL VOLTAGE MOTOR	REF				
1	REDRAWN	RM 11/20/1990		.XXXX	±.0005		MAT'L.	FMF				
					±7'30"			PREV				
THIS DRAWING IN DESIGN AND DETAIL IS OUR PROPERTY AND MUST NOT BE USED EXCEPT IN CONNECTION WITH OUR WORK ALL RIGHTS OF DESIGN AND INVENTION ARE RESERVED THIS IS AN ELECTRONICALLY GENERATED DOCUMENT - DO NOT SCALE THIS PRINT							RFP	CAD FILE ee7308	SIZE A	DRAWING NO. EE7308	PAGE OF 5	REV. 5
							DIST WP					



Regal Beloit America, Inc.

CERTIFICATION DATA SHEET

Model#: 56T34F15598 A WINDING#: ZT2107 R4 3
 CONN. DIAGRAM: EE7308 ASSEMBLY: F1/F2 CAPABLE
 OUTLINE: A-100110-656

TYPICAL MOTOR PERFORMANCE DATA

HP	KW	SYNC. RPM	F.L. RPM	FRAME	ENCLOSURE	KVA CODE	DESIGN
1&3/4	.75&.56	3600	3450&2850	56C	TEFC	J	B

PH	Hz	VOLTS	FL AMPS	START TYPE	DUTY	INSL	S.F	AMB°C	ELEVATION
3	60/50	230/460#190/380	3/1.5&2.6/1.3	ACROSS THE LINE	CONTINUOUS	B3	1.25/1.25	40	3300

FULL LOAD EFF: 78.5&81	3/4 LOAD EFF: 79.4	1/2 LOAD EFF: 73.9	GTD. EFF	ELEC. TYPE	NO LOAD AMPS
FULL LOAD PF: 79.1&81	3/4 LOAD PF: 75.8	1/2 LOAD PF: 64	72	SQ CAGE IND RUN	1.5 / .8

F.L. TORQUE	LOCKED ROTOR AMPS	L.R. TORQUE	B.D. TORQUE	F.L. RISE°C
1.5 LB-FT	20 / 10	3.2 LB-FT 213	4.8 LB-FT 320	45

SOUND PRESSURE @ 3 FT.	SOUND POWER	ROTOR WK^2	MAX. WK^2	SAFE STALL TIME	STARTS /HOUR	APPROX. MOTOR WGT
68 dBA	78 dBA	0.023 LB-FT^2	2 LB-FT^2	10 SEC.	2	22 LBS.

*** SUPPLEMENTAL INFORMATION ***

DE BRACKET TYPE	ODE BRACKET TYPE	MOUNT TYPE	ORIENTATION	SEVERE DUTY	HAZARDOUS LOCATION	DRIP COVER	SCREENS	PAINT
C-FACE	STANDARD	RIGID	HORIZONTAL	FALSE	NONE	FALSE	NONE	GRAY (POWDER)

BEARINGS		GREASE	SHAFT TYPE	SPECIAL DE	SPECIAL ODE	SHAFT MATERIAL	FRAME MATERIAL
DE	ODE						
BALL	BALL						
6203	6203	POLYREX EM	T	NONE	NONE	1144 STRESSPROOF (C-223)	ROLLED STEEL

THERMO-PROTECTORS				THERMISTORS	CONTROL	SPACE /n HEATERS
THERMOSTATS	PROTECTORS	WDG RTDs	BRG RTDs			
NONE	NOT	NONE	NONE	NONE	FALSE	NONE VOLTS

If Inverter equals NONE, contact factory for further information

*
N
O
T
E
S
*

INVERTER TORQUE: NONE	INV. HP SPEED RANGE: NONE
ENCODER: NONE	NONE NONE
NONE NONE PPR	
BRAKE: NONE NONE	NONE P/N NONE
NONE NONE	NONE NONE
NONE FT-LB	NONE V NONE Hz

DATE: 06/29/2017 07:49:47 AM
 FORM 3531 REV.3 02/07/99
 ** Subject to change without notice.

