

PRODUCT INFORMATION PACKET

Model No: 056T8O15532
Catalog No: X507-P
1,900,OPAO,56,3/60/200-230/460
Condenser Fans



Regal and Marathon are trademarks of Regal Beloit Corporation or one of its affiliated companies.
©2018 Regal Beloit Corporation, All Rights Reserved. MC017097E



Nameplate Specifications

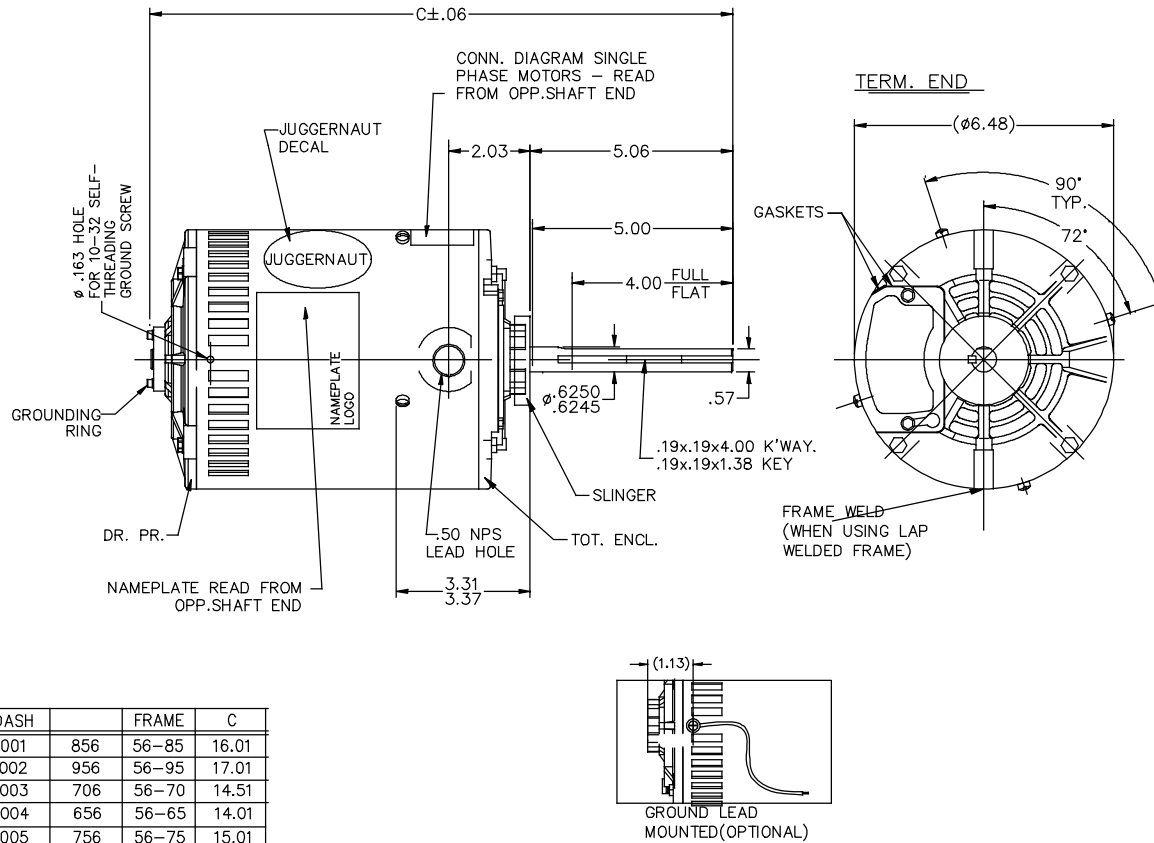
| | | | |
|----------------------------|----------------------|------------------------|----------------------------------|
| Output HP | 1 Hp | Output KW | 0.75 kW |
| Frequency | 60 Hz | Voltage | 200-230/460 V |
| Current | 5.3-5.3/2.7 A | Speed | 850 rpm |
| Service Factor | 1 | Phase | 3 |
| Efficiency | 74.5 % | Duty | Continuous |
| Insulation Class | H | Design Code | NO DESIGN CODE |
| KVA Code | J | Frame | 56Z |
| Enclosure | Open Air Over | Overload Protector | Automatic Lock Rotor Only |
| Ambient Temperature | 70 °C | Drive End Bearing Size | 6203 |
| Opp Drive End Bearing Size | 6203 | UL | Recognized |
| CSA | Y | CE | N |
| IP Code | 10 | | |

Technical Specifications

| | | | |
|-----------------------|------------------------------------|-----------------------|---------------------------------|
| Electrical Type | Squirrel Cage Induction Run | Starting Method | Across The Line |
| Poles | 8 | Rotation | Reversible |
| Mounting | Round Belly Band | Motor Orientation | HORIZONTAL |
| Drive End Bearing | BALL | Opp Drive End Bearing | BALL |
| Frame Material | Rolled Steel | Shaft Type | Single Special Extension |
| Overall Length | 17.01 in | Frame Length | 9.66 in |
| Shaft Diameter | 0.625 in | Shaft Extension | 5.06 in |
| Assembly/Box Mounting | F1 ONLY | | |
| Outline Drawing | 607-0314-002 | Connection Diagram | A-102007-1 |

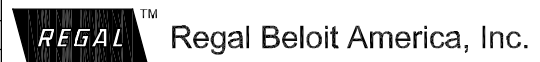
This is an uncontrolled document once printed or downloaded and is subject to change without notice. Date Created: 10/31/2018

607-0314



| DASH | FRAME | C |
|------|-----------|-------|
| 001 | 856 56-85 | 16.01 |
| 002 | 956 56-95 | 17.01 |
| 003 | 706 56-70 | 14.51 |
| 004 | 656 56-65 | 14.01 |
| 005 | 756 56-75 | 15.01 |

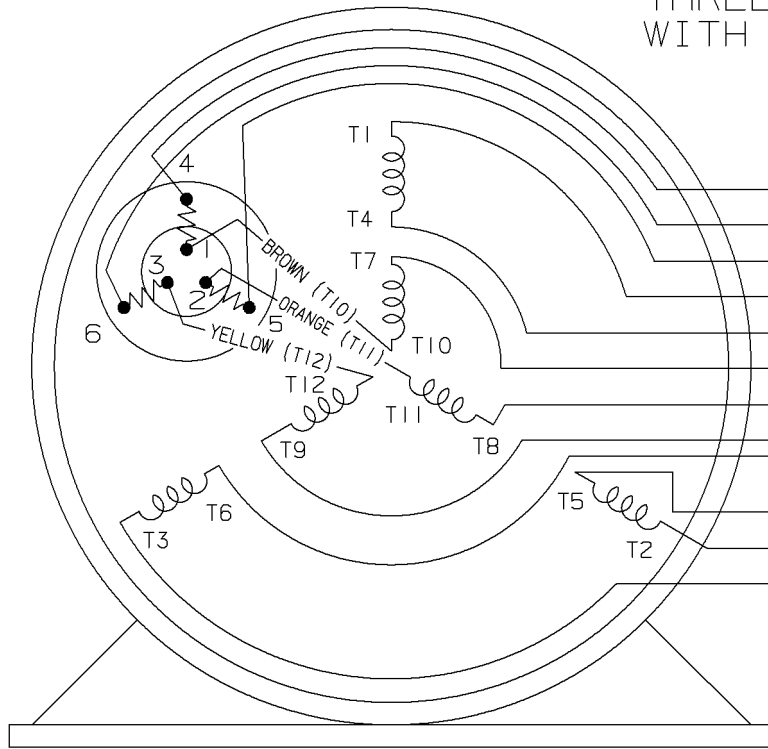
| DASH | | FRAME | C | TOLERANCES UNLESS SPECIFIED | | DRAWN EL 8/21/2017 | | | |
|--|------------------------|----------------|-----|-----------------------------|-------------------|--------------------|----------------------|---------|--------|
| NO. | REVISION | BY & DATE | CHK | DEC. | INCHES | CHK | | | |
| F | ADDED DECAL JUGGERNAUT | LST 10/25/2018 | | .X | $\pm .1$ | APPD | | | |
| | | | | .XX | $\pm .03$ | SCALE 3=8 | | | |
| | | | | .XXX | $\pm .005$ | REF | | | |
| | | | | .XXXX | $\pm .0005$ | FMF | | | |
| | | | | ANG | $\pm 7'30''$ | PREV | | | |
| THIS DRAWING IN DESIGN AND DETAIL IS OUR PROPERTY AND MUST NOT BE USED EXCEPT IN CONNECTION WITH OUR WORK ALL RIGHTS OF DESIGN AND INVENTION ARE RESERVED THIS IS AN ELECTRONICALLY GENERATED DOCUMENT - DO NOT SCALE THIS PRINT | | | | RFP | CAD FILE 607-0314 | SIZE A | DRAWING NO. 607-0314 | PAGE OF | REV. F |
| | | | | DIST WP | | | | | |



TITLE OUTLINE

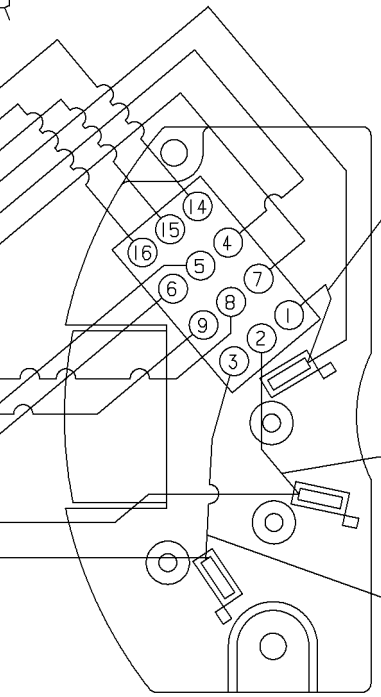
| | |
|--------------------|----------------------|
| DRAWN EL 8/21/2017 | |
| CHK | |
| APPD | |
| SCALE 3=8 | |
| REF | |
| FMF | |
| PREV | |
| SIZE A | DRAWING NO. 607-0314 |
| PAGE OF | REV. F |

THREE PHASE-DUAL VOLTAGE WITH THERMAL PROTECTOR



VIEW OF TERMINAL END

- (T14) BROWN
- (T16) YELLOW
- (T15) ORANGE
- (T1) RED
- T4
- T7
- T8
- T9
- T6
- T5
- (T2) BLUE
- (T3) BLACK

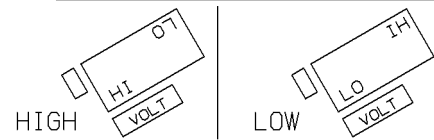


VIEWING BOTTOM OF TERMINAL BOARD

RED
 NUMBERS SHOWN ON TERM BOARD ARE FOR REF. ONLY.
 (NUMBERS DO NOT APPEAR ON PARTS.)

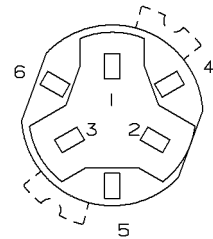
BLUE
 BLACK

TO CHANGE VOLTAGE, PULL PLUG, ROTATE 180° AND REINSERT



CONNECT LINES TO L1, L2 & L3

NOTE:
 ACTUAL PROTECTORS TERMINAL LOCATIONS FOR LEAD CONNECTIONS



| | | | | | | | | |
|-----|------------|--|------|---|---|--|--|-------------------------|
| 4 | 06-26-1995 | 1,2,3 WERE SWITCHED WITH 4,5,6 ON THE TERMINAL CN 20644 | BR | ✓ MAX. SURFACE ROUGHNESS UNLESS NOTED OTHERWISE | UNLESS OTHERWISE SPECIFIED DIMENSIONS ARE IN INCHES TOL. ON XX±.02 XXX±.005 XXXX±.0005 ANGLES± 7°30" | | | |
| 3 | 05-18-1994 | ADDED ACTUAL PROTECTOR VIEW CN 17481 | KL | MATL SPEC | | | | DRAWN BY RM 07-20-1993 |
| 2 | 07-20-1993 | REDRAWN ON CADD, ORIGINAL LOST. REV. VCD TO COLORED LEADS CNI3741 | RM | REFERENCE DRW. | | | | WAUSAU, WISCONSIN 54401 |
| REV | DATE | CHANGE | NAME | PART NAME CONNECTION DIAGRAM 3Ø - DUAL VOLTAGE MOTOR | | | | DRWG NO A- 102007-1 |

SHOP BOOK | PURCHASED | DISTRIBUTION - WA - LB - WP - LM - BR | CADD FILE NO. | 102007-1