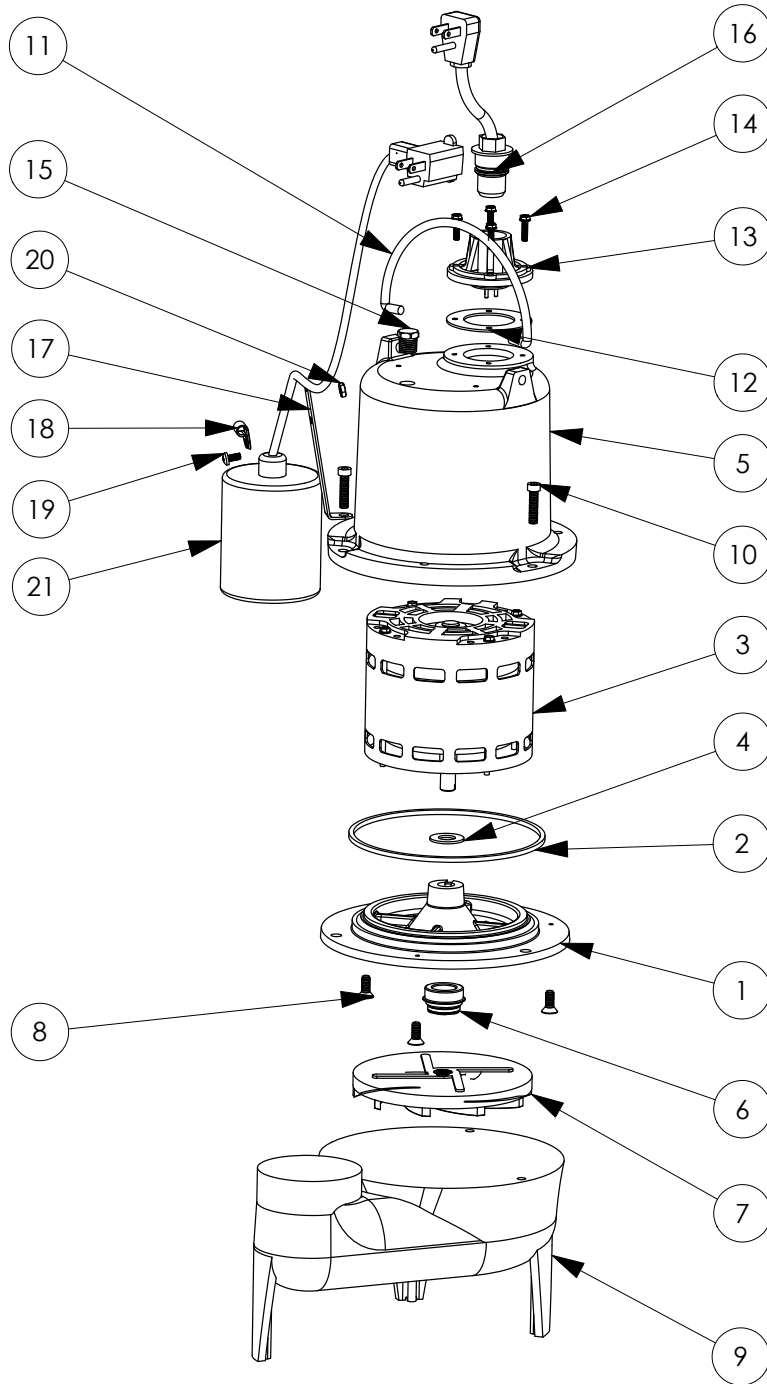


LE41A-2 (B10)



LE41A-2**LE41A-2 (B10)**

#	PART #	DESCRIPTION	QTY	Note
1	5052000	MOTOR SUPPORT PLATE	1	
2	5066000	SEALRING, MOTOR COVER, #254S	1	[1]
3	5176000	MOTOR ASSEMBLY, .5HP	1	
4	5395000	THRUST WASHER	1	
5	53500AR	MOTOR CAP	1	
6	5098000	1/2 INCH UNITIZED SEAL	1	
7	K001036	IMPELLER	1	
8	8018000	1/4-20 x 5/8 SLOTTED FLAT HEAD BOLT	3	
9	505100R	HOUSING, VOLUTE, BROWN	1	
10	8091000	1/4-20 x 1 HEX SOCKET HEAD BOLT	3	
11	K001095	STAINLESS STEEL HANDLE	1	
12	5060000	CORD PLATE GASKET	1	
13	5014000	CORD PLATE	1	
14	8064000	#8-32 x 5/8 HEX WASHER HEAD SCREW	4	
15	5071000	BRASS OIL PLUG	1	
16	K001008	POWER CORD, 115V, 25 FOOT CORD	1	
17	5070000	FLOAT SWITCH SUPPORT	1	
18	8014000	CABLE CLAMP	1	
19	8082000	#10-24 x 3/8 EPOXY LOCK SCREW	1	
20	8002000	#10-24 STAINLESS STEEL HEX	1	
21	K001004	61130B0, 25' PUMP SWITCH KIT	1	

PART NOTES:

[1] - Part requires factory authorized service. Contact Liberty Pumps at 1-800-543-2550