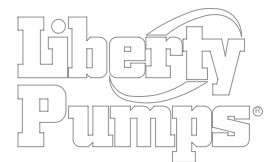
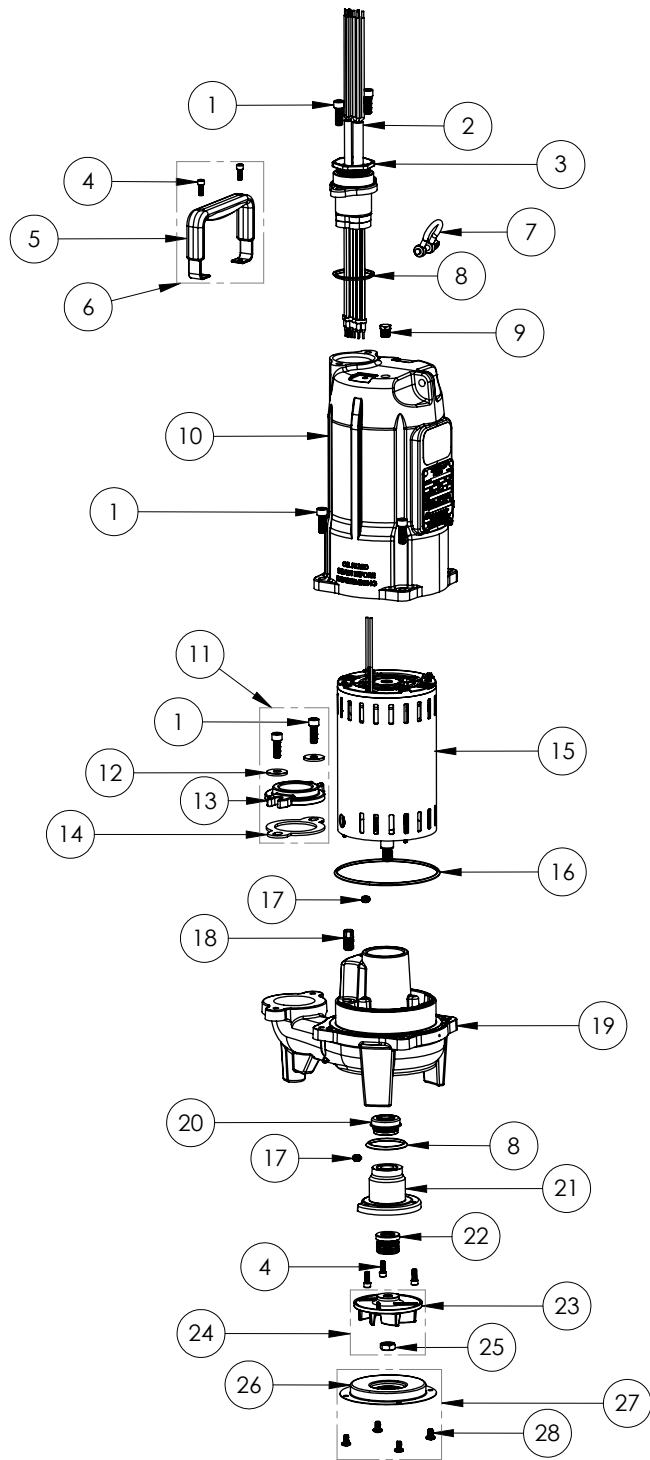


XFL72BM-3

XFL72BM-3 (B90)



**XFL72BM-3****XFL72BM-3 (B90)**

| #  | PART #  | DESCRIPTION  | QTY | Note |
|----|---------|--|-----|------|
| 1  | 5862000 | BOLT, 3/8-16X1 SHCS SS                               | 8   |      |
| 2  | 34740E0 | CORD CAP 35' WITH JUMPER, 4 CONDUCTOR                | 1   | [1]  |
| 3  | 3467000 | 1-1/2" NPT THREADED BUSHING                          | 1   | [1]  |
| 4  | 8103000 | SCREW 1/4-20x5/8" HX SKT SS                          | 5   |      |
| 5  | 3411200 | HANDLE   | 1   |      |
| 6  | K001681 | HANDLE KIT WITH BOLTS                                | 1   |      |
| 7  | K001680 | SHACKLE KIT  | 1   |      |
| 8  | 3428000 | O-RING ASTM 568A- 226                                | 2   |      |
| 9  | 50710A0 | PIPE PLUG, 1/4" HEX HD BRASS NPTF                    | 1   |      |
| 10 | 341600R | HOUSING XFL/XLE PAINTED                              | 1   | [1]  |
| 11 | K001421 | 1.5" DISCHARGE ADAPTER, INCLUDES HARDWARE AND GASKET | 1   |      |
| 12 | 8158000 | WASHER, 3/8 x 1-1/8, SS                              | 2   |      |
| 13 | 586100R | 1.5" ADAPTER FLANGE                                  | 1   |      |
| 14 | 5858000 | 1.5" FLANGE GASKET                                   | 1   |      |
| 15 | 34220B0 | MOTOR, 2 POLE 208/230V 1PH 60HZ                      | 1   | [2]  |
| 16 | 3403000 | O-RING   | 1   |      |
| 17 | 34470A0 | 1/8" STAINLESS STEEL OIL PLUG 18-8                   | 2   |      |
| 18 | 3450000 | SEAL FAIL PROBE BODY                                 | 1   |      |
| 19 | 341500R | XFL VOLUTE PAINTED                                   | 1   | [1]  |
| 20 | 5633000 | 3/4" UNITIZED SHAFT SEAL                             | 1   | [3]  |
| 21 | 3427000 | SEAL PLATE WITH BUSHING                              | 1   | [1]  |
| 22 | 3429000 | SEAL TYPE 2100 18MM                                  | 1   | [1]  |
| 23 | 34210A0 | XFL70 IMPELLER, MACHINED BRONZE                      | 1   |      |
| 24 | K001691 | XFL70 BRONZE IMPELLER KIT WITH 1/2" NUT              | 1   |      |
| 25 | 8046000 | 1/2-20 HEX STAINLESS STEEL JAM NUT                   | 1   |      |
| 26 | 2902000 | STAMPING, INLET                                      | 1   |      |
| 27 | K001683 | INLET PLATE KIT WITH 1/4" SCREWS                     | 1   |      |
| 28 | 3470000 | 1/4-20X7/16 PPHMS 18-8                               | 4   |      |

**PART NOTES:**

- [1] - WARNING! These motors are listed for application in Class 1, Division 1, Groups C D, EXPLOSION PROOF environments. The pump must be serviced at the factory or a qualified hazardous motor enclosure repair facility approved by Liberty Pumps. Any unauthorized field repairs voidswarranty and hazardous location ratings. Contact Liberty Pumps at 1-800-543-2550 to locate the closest repair facility.
- [2] - WARNING! These motors are listed for application in Class 1, Division 1, Groups C D, EXPLOSION PROOF environments. The pump must be serviced at the factory or a qualified hazardous motor enclosure repair facility approved be Liberty Pumps. Any unauthorized field repairs voidswarranty and hazardous location ratings. Contact Liberty Pumps at 1-800-543-2550 to locate the closest repair facility
- [3] - Part requires factory authorized service. Contact Liberty Pumps at 1-800-543-2550

WARNING! These motors are listed for application in Class 1, Division 1, Groups C D, EXPLOSION PROOF environments. The pump must be serviced at the factory or a qualified hazardous motor enclosure repair facility approved be Liberty Pumps. Any unauthorized field repairs voidswarranty and hazardous location ratings. Contact Liberty Pumps at 1-800-543-2550 to locate the closest repair facility

XFL72BM-3 (B90)

XFL72BM-3 (B90)

PAGE