

PRODUCT INFORMATION PACKET

Model No: 090LT34FH6520
Catalog No: R399A
3,3600, TEFC, 90LD, 3/60/230/460
TEFC



Regal and Marathon are trademarks of Regal Beloit Corporation or one of its affiliated companies.

©2018 Regal Beloit Corporation, All Rights Reserved. MC017097E





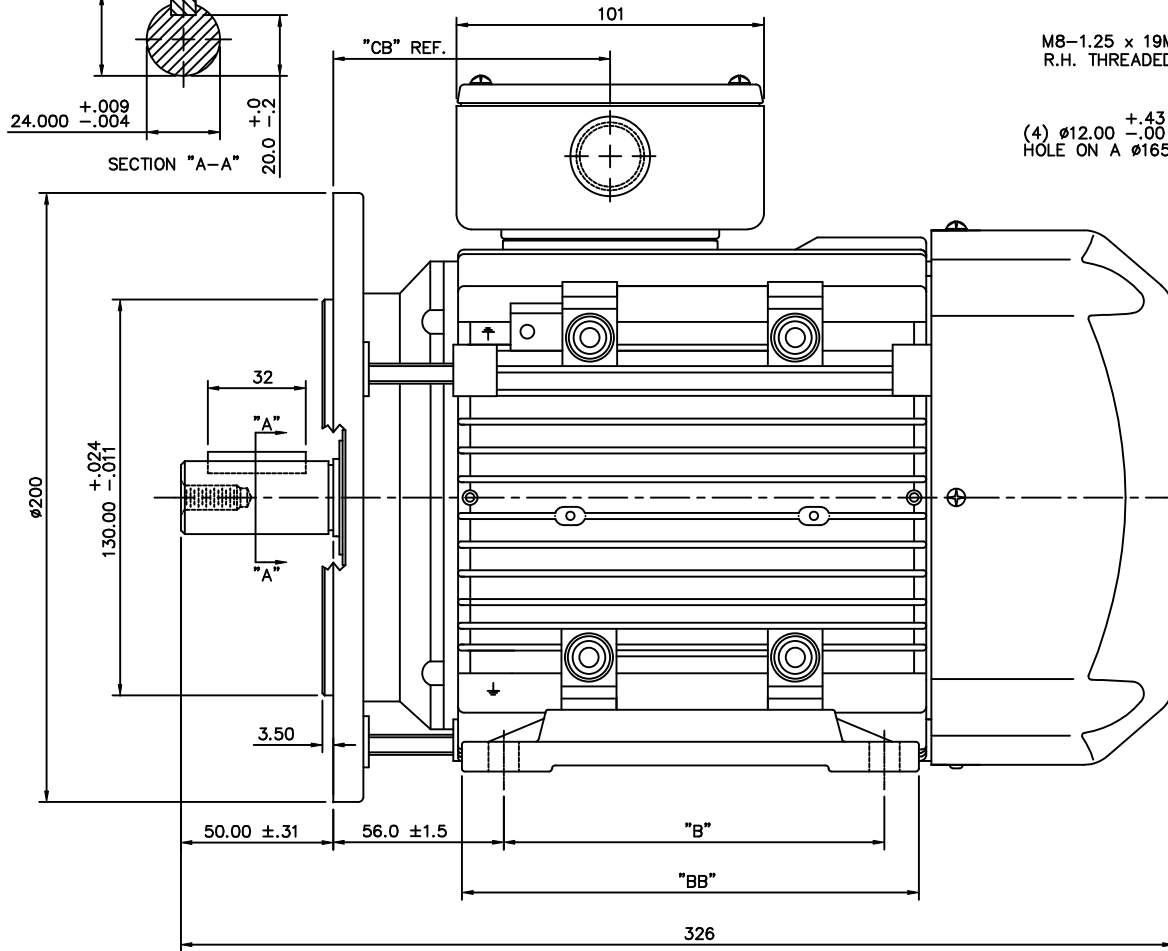
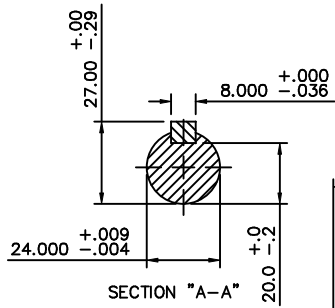
Nameplate Specifications

Output HP	3 Hp	Output KW	2.2 kW
Frequency	60 Hz	Voltage	230/460 V
Current	7.2/3.6 A	Speed	3500 rpm
Service Factor	1.15	Phase	3
Efficiency	87.5 %	Duty	Continuous
Insulation Class	F	Design Code	B
KVA Code	K	Frame	90L
Enclosure	Totally Enclosed Fan Cooled	Overload Protector	No
Ambient Temperature	40 °C	Drive End Bearing Size	6205
Opp Drive End Bearing Size	6205	UL	Recognized
CSA	Y	CE	Y
IP Code	45		

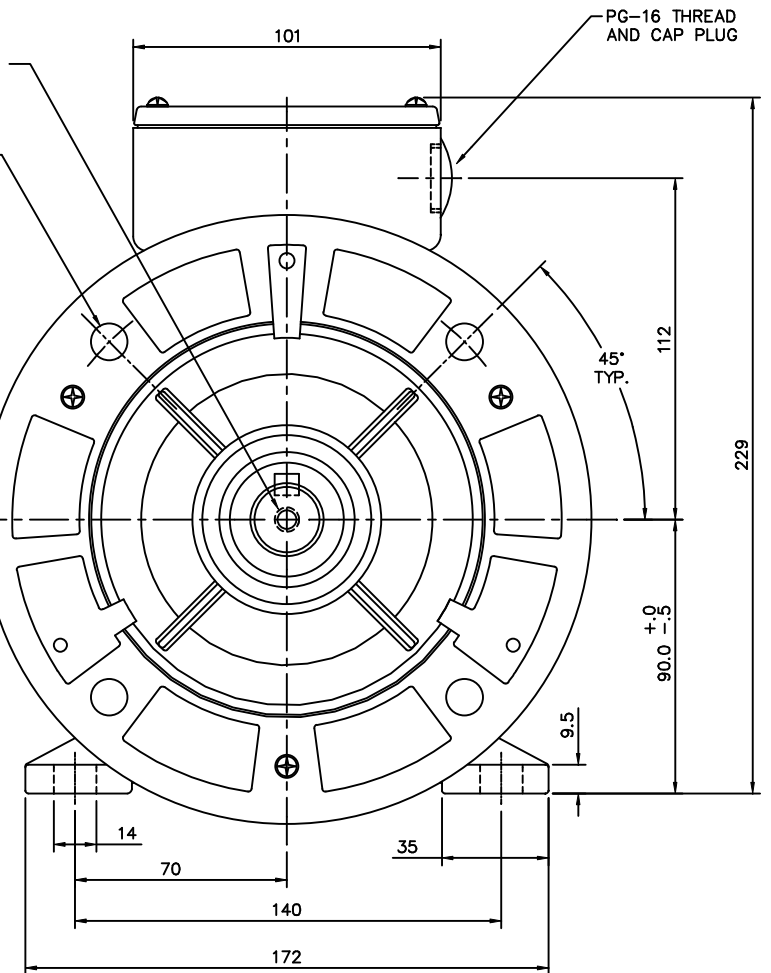
Technical Specifications

Electrical Type	Squirrel Cage Inverter Rated	Starting Method	Line Or Inverter
Poles	2	Rotation	Reversible
Mounting	Rigid base	Motor Orientation	Horizontal
Drive End Bearing	Ball	Opp Drive End Bearing	Ball
Frame Material	Aluminum	Shaft Type	IEC
Overall Length	12.83 in	Shaft Diameter	1.000 in
Shaft Extension	1.96 in	Assembly/Box Mounting	F3
Outline Drawing	16987000ME	Connection Diagram	005465.01ME

This is an uncontrolled document once printed or downloaded and is subject to change without notice. Date Created: 06/28/2018

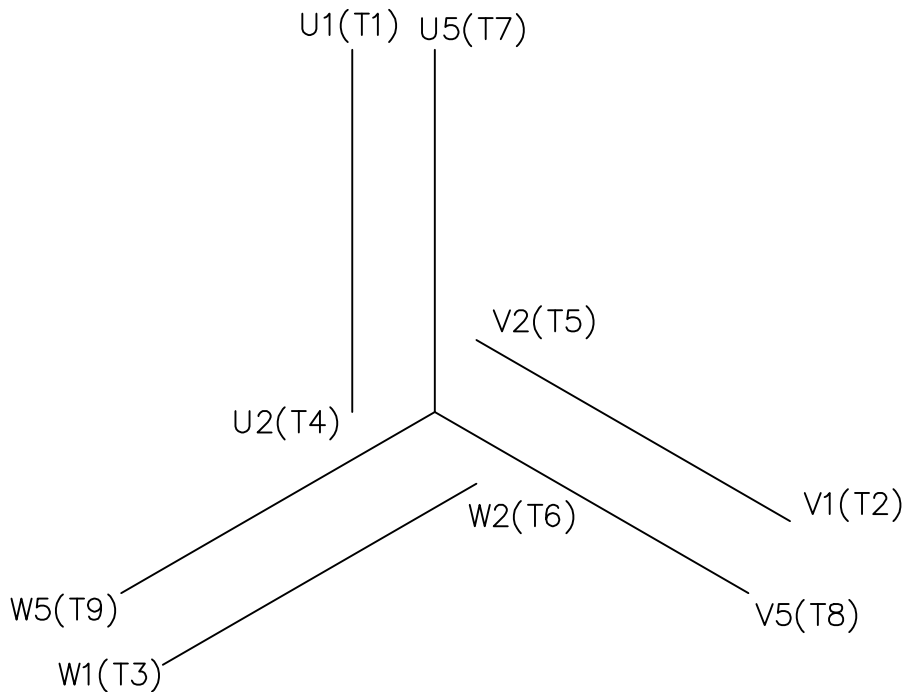


M8-1.25 x 19MM DEEP R.H. THREADED SHAFT
 (4) $\phi 12.00^{+.43}_{-.00}$ THRU HOLE ON A $\phi 165.0$ B.C.



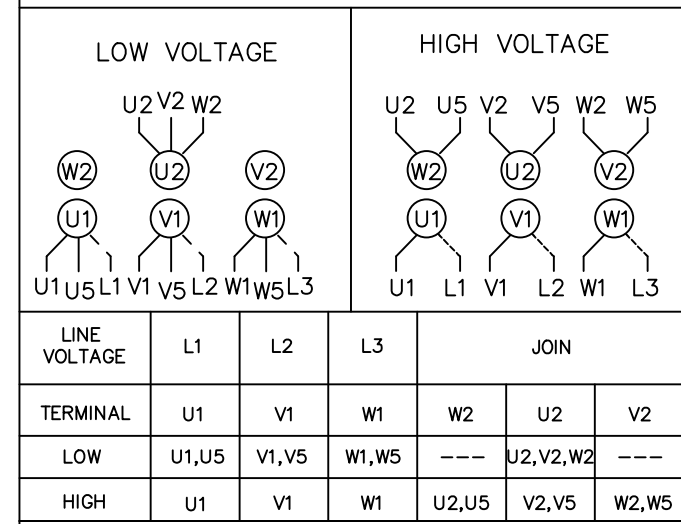
FRAME DESIGN	"B"	"BB"	"CB"
90L	125±0.7	150	91
90S	100±0.7	125	79
XXX	XXX	XXX	XXX

		TOLERANCES UNLESS SPECIFIED		MARATHON ELECTRIC		DRAWN JGO 01/28/05	
		DEC.	METRIC			CHK	
		.X	±2.5			APPD	
		.XX	±.76	TITLE		SCALE 1=1.6	
		.XXX	±.127	IEC-90 FRAME RIGID W/B5 FLANGE		REF OSVC-300-567	
		.XXXX	±.0127	MAT'L ALUMINUM		FMF MARATHON STOCK	
NO.	REVISION	BY & DATE	CHK	ANG	FINISH	PREV	
			RFP		CAD FILE 16987000ME	SIZE B	
THIS DRAWING IN DESIGN AND DETAIL IS OUR PROPERTY AND MUST NOT BE USED EXCEPT IN CONNECTION WITH OUR WORK ALL RIGHTS OF DESIGN AND INVENTION ARE RESERVED THIS IS AN ELECTRONICALLY GENERATED DOCUMENT - DO NOT SCALE THIS PRINT						DRAWING NO. 169870-00ME	REV.

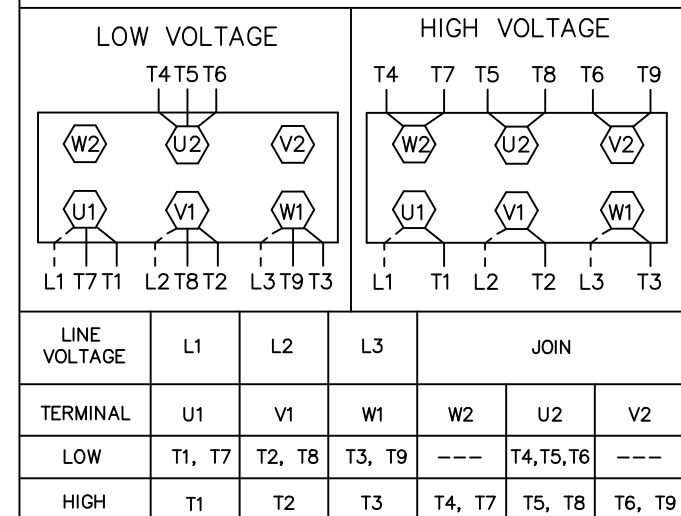


REF. DECAL (IEC) 080644
REF. DECAL (NEMA) 080446

IEC MARKINGS



NEMA MARKINGS



		TOLERANCES UNLESS SPECIFIED				DRAWN JGO 3/10/04			
		DEC.	INCHES			CHK SB 02-17-2010			
		.X	±.1			APPD MJS 02-17-2010			
		.XX	±.01			SCALE 1=1			
		.XXX	±.005			REF			
		.XXXX	±.0005	MAT'L. IEC/NEMA MARKINGS		FMF			
NO.	REVISION	BY & DATE	CHK	ANG	±1/2'	FINISH	PREV		
THIS DRAWING IN DESIGN AND DETAIL IS OUR PROPERTY AND MUST NOT BE USED EXCEPT IN CONNECTION WITH OUR WORK ALL RIGHTS OF DESIGN AND INVENTION ARE RESERVED THIS IS AN ELECTRONICALLY GENERATED DOCUMENT - DO NOT SCALE THIS PRINT			RFP	02-17-2010	CAD FILE	00546501ME	SIZE A	DRAWING NO. 005465ME-01	REV.

CERTIFICATION DATA SHEET

Model#: 90LT34FH6520 A WINDING#: QT9026 FR 3
 CONN. DIAGRAM: 005465.01ME ASSEMBLY: F3
 OUTLINE: 16987000ME

TYPICAL MOTOR PERFORMANCE DATA

HP	KW	SYNC. RPM	F.L. RPM	FRAME	ENCLOSURE	KVA CODE	DESIGN
3&3	2.24&2.24	3600	3500&2875	90L	TEFC	K	B

PH	Hz	VOLTS	FL AMPS	START TYPE	DUTY	INSL	S.F	AMB°C	ELEVATION
3	60/50	230/460#200/ 400	7.2/3.6&8.4/4. 2	LINE OR INVERTER	CONTINUOU S	F5	1.15/1.15	40	3300

FULL LOAD EFF: 87.5&85.5	3/4 LOAD EFF: 88.4	1/2 LOAD EFF: 87.6	GTD. EFF	ELEC. TYPE	NO LOAD AMPS
FULL LOAD PF: 87.5&89.5	3/4 LOAD PF: 82.2	1/2 LOAD PF: 73	0	SQ CAGE INV RATED	2.8 / 1.4

F.L. TORQUE	LOCKED ROTOR AMPS	L.R. TORQUE	B.D. TORQUE	F.L. RISE°C
4.5 LB-FT	64.8 / 32.4	13.24 LB-FT 294	16.45 LB-FT 366	36

SOUND PRESSURE @ 3 FT.	SOUND POWER	ROTOR WK^2	MAX. WK^2	SAFE STALL TIME	STARTS /HOUR	APPROX. MOTOR WGT
0 dBA	10 dBA	0 LB-FT^2	0 LB-FT^2	10 SEC.	0	0 LBS.

*** SUPPLEMENTAL INFORMATION ***

DE BRACKET TYPE	ODE BRACKET TYPE	MOUNT TYPE	ORIENTATION	SEVERE DUTY	HAZARDOUS LOCATION	DRIP COVER	SCREENS	PAINT
B5	STANDARD	RIGID	HORIZONTAL	FALSE	NONE	FALSE	NONE	BLUE (ENAMEL)

BEARINGS		GREASE	SHAFT TYPE	SPECIAL DE	SPECIAL ODE	SHAFT MATERIAL	FRAME MATERIAL
DE	OPE						
BALL	BALL	POLYREX EM	STANDARD IEC	NONE	NONE	AISI 1045 (C-240)	ALUMINUM
6205	6205						

THERMO-PROTECTORS				THERMISTORS	CONTROL	SPACE /n HEATERS
THERMOSTATS	PROTECTORS	WDG RTDs	BRG RTDs			
NONE	NOT	NONE	NONE	NONE	FALSE	NONE VOLTS

If Inverter equals NONE, contact factory for further information

INVERTER TORQUE: CONSTANT 20:1 INV. HP SPEED RANGE: NONE
ENCODER: NONE NONE NONE NONE NONE PPR
BRAKE: NONE NONE NONE P/N NONE NONE NONE NONE FT-LB NONE V NONE Hz

*
N
O
T
E
S
*

DATE: 06/28/2017 04:17:25 AM
 FORM 3531 REV.3 02/07/99

** Subject to change without notice.