

Model 12ES15C-3P



Model 07ES05C-3P

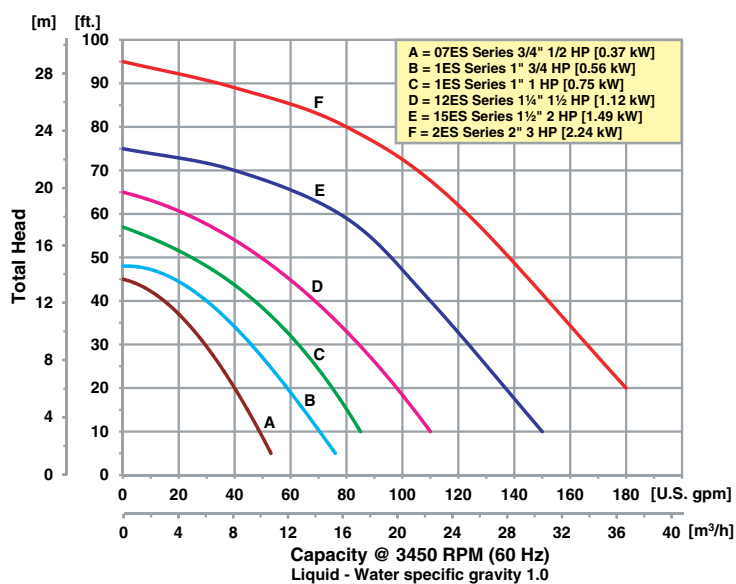
AMT Solids Handling Centrifugal pumps are designed for continuous-duty OEM, Industrial/Commercial and General Service applications including dirty water circulation, chemical processing, and liquid transfer.

Pumps are designed to handle liquids with solids content or dissolved solids and debris. Pull-from-rear design for easy service without disturbing any piping. Self-cleaning impellers to prevent clogging and handles solids up to 3/8" diameter depending on the model. Pumps are close coupled to Totally Enclosed Fan Cooled (TEFC) motors. **Pumps are not self-priming and require flooded suction.**

Centrifugal Chemical Pump

- **Cast Iron Construction**
- **EPDM/EPR Mechanical Seal and O-Rings**
- **Discharge Port Rotates in 45° Increments**
- **Solids Handling, Clog Resistant Impeller**
- **1/2 to 3 HP Dual Cycle 50/60 Hz TEFC 56J NEMA Single or Three Phase Motors**
- **3/4" to 2" NPT Sizes**
- **Maximum Working Pressure 125 PSI**
- **Maximum Flow 180 GPM**
- **Maximum Head 95 Ft. (41 PSI)**
- **Pull-From-Rear Design Permits Easy Servicing Without Disturbing Piping**
- **Multiple 1/2" NPT Drain Ports**

Performance of Straight Centrifugal End Suction Pumps



Pump Dimensional & Specification Data

| Model | Curve | HP | PH | ENC | Voltage @ 60 Hz + | Full Load Amps | SUC* | DIS* | A** | B | C** | L** | W** | H | Ship Wt. (Lbs.) |
|-------------------|-------|-----|----|------|-------------------|----------------|------|------|------------|-----------|------------|-------------|-------------|------------|-----------------|
| 07ES05C-1P | A | 1/2 | 1 | TEFC | 115-208/230 | 9/5 | 3/4 | 3/4 | 5.4 [13.8] | 2.6 [6.7] | 5.1 [12.9] | 13.9 [35.3] | 10.1 [25.7] | 9.9 [25.1] | 47 |
| 07ES05C-3P | | | 3 | TEFC | 208-230/460 | 3/2 | | | 5.4 [13.8] | 2.6 [6.7] | N/A | 13.2 [33.5] | 10.1 [25.7] | 9.5 [24.1] | 43 |
| 1ES07C-1P | B | 3/4 | 1 | TEFC | 115-208/230 | 9/5 | 1 | 1 | 5.4 [13.8] | 2.6 [6.7] | 5.1 [12.9] | 14.4 [36.5] | 10.1 [25.7] | 9.9 [25.1] | 52 |
| 1ES07C-3P | | | 3 | TEFC | 208-230/460 | 3/2 | | | 5.4 [13.8] | 2.6 [6.7] | N/A | 13.9 [35.3] | 10.1 [25.7] | 9.5 [24.1] | 44 |
| 1ES10C-1P | C | 1 | 1 | TEFC | 115-208/230 | 12/6 | 1 | 1 | 5.4 [13.8] | 2.6 [6.7] | 5.1 [12.9] | 14.6 [37.1] | 10.1 [25.7] | 9.9 [25.1] | 53 |
| 1ES10C-3P | | | 3 | TEFC | 208-230/460 | 4/2 | | | 5.4 [13.8] | 2.6 [6.7] | N/A | 13.2 [33.5] | 10.1 [25.7] | 9.5 [24.1] | 48 |
| 12ES15C-1P | D | 1½ | 1 | TEFC | 115-208/230 | 22/11 | 1¼ | 1¼ | 5.4 [13.8] | 3.2 [8.3] | 5.1 [12.9] | 15.6 [39.6] | 10.3 [26.1] | 9.9 [25.1] | 64 |
| 12ES15C-3P | | | 3 | TEFC | 208-230/460 | 6/3 | | | 5.4 [13.8] | 3.2 [8.3] | N/A | 15.4 [39.1] | 10.3 [26.1] | 9.8 [24.9] | 54 |
| 15ES20C-1P | E | 2 | 1 | TEFC | 115-208/230 | 28/14 | 1½ | 1½ | 5.4 [13.8] | 3.2 [8.3] | 5.0 [12.7] | 16.3 [41.4] | 10.3 [26.1] | 9.8 [24.9] | 67 |
| 15ES20C-3P | | | 3 | TEFC | 208-230/460 | 7/4 | | | 5.4 [13.8] | 3.2 [8.3] | N/A | 15.9 [40.4] | 10.3 [26.1] | 9.8 [24.9] | 59 |
| 2ES30C-1P | F | 3 | 1 | TEFC | 208/230 | 16 | 2 | 2 | 5.4 [13.8] | 3.2 [8.3] | 5.0 [12.7] | 16.8 [42.6] | 10.3 [26.1] | 9.8 [24.9] | 75 |
| 2ES30C-3P | | | 3 | TEFC | 208-230/460 | 8/4 | | | 5.4 [13.8] | 3.2 [8.3] | N/A | 16.4 [41.6] | 10.3 [26.1] | 9.8 [24.9] | 63 |

(*) Standard NPT (Female) pipe thread.

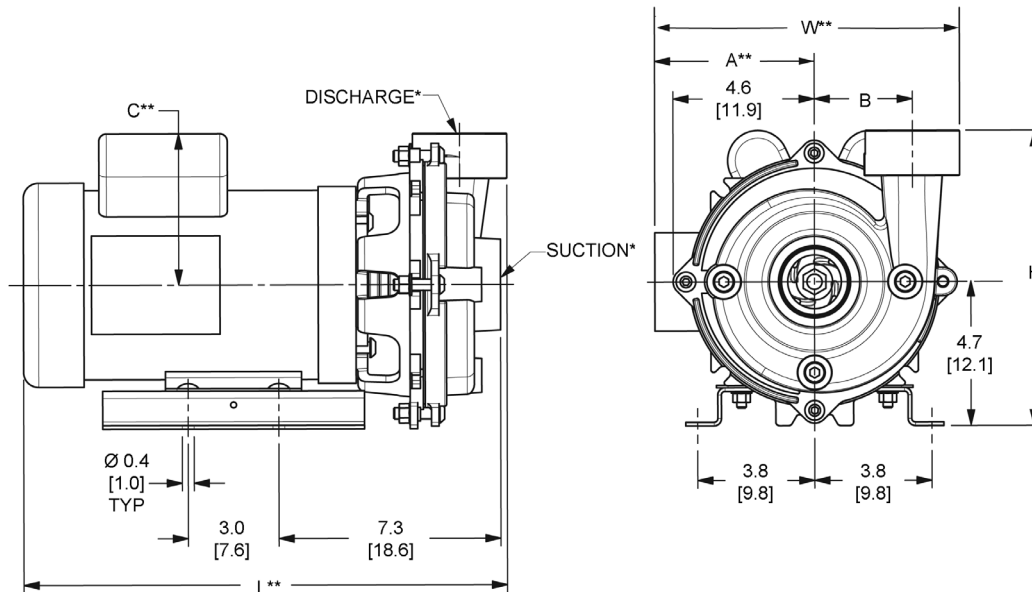
(**) This dimension may vary due to motor manufacturer's specifications.

(+) 3-Phase motors can also operate on 50 Hz. (This will change full load amps, service factor and RPM)

NOTE: Dimensions are in inches (centimeters) and have a tolerance of ± 1/4".

NOTE: Electric supply for ALL motors must be within ±10% of nameplate voltage rating (e.g. 230V ±10%= 207 to 253).

Maximum Solids Handling Capacity: 3/8" Diameter



Standard Features

- Cast Iron Construction
- EPDM/EPR Mechanical Seal and O-rings
- 303 Stainless Steel Motor Shaft
- NEMA 56J TEFC Single or Three Phase Motors
- NEMA Dual Cycle 50/60 Hz Base Mounted Motor
- Self-cleaning Impeller
- Discharge Rotates in 45° Increments
- Maximum Working Pressure 125 PSI
- Maximum Temperature 180° F
- Front Drain Plugs
- QSP—Quick Ship Pump for Many Models
- Solids Handling Design

**Hazardous Duty/Explosion Proof motors available from stock ranging from 1 to 10 HP;
CALL FOR QUOTATION & LEAD TIME!**