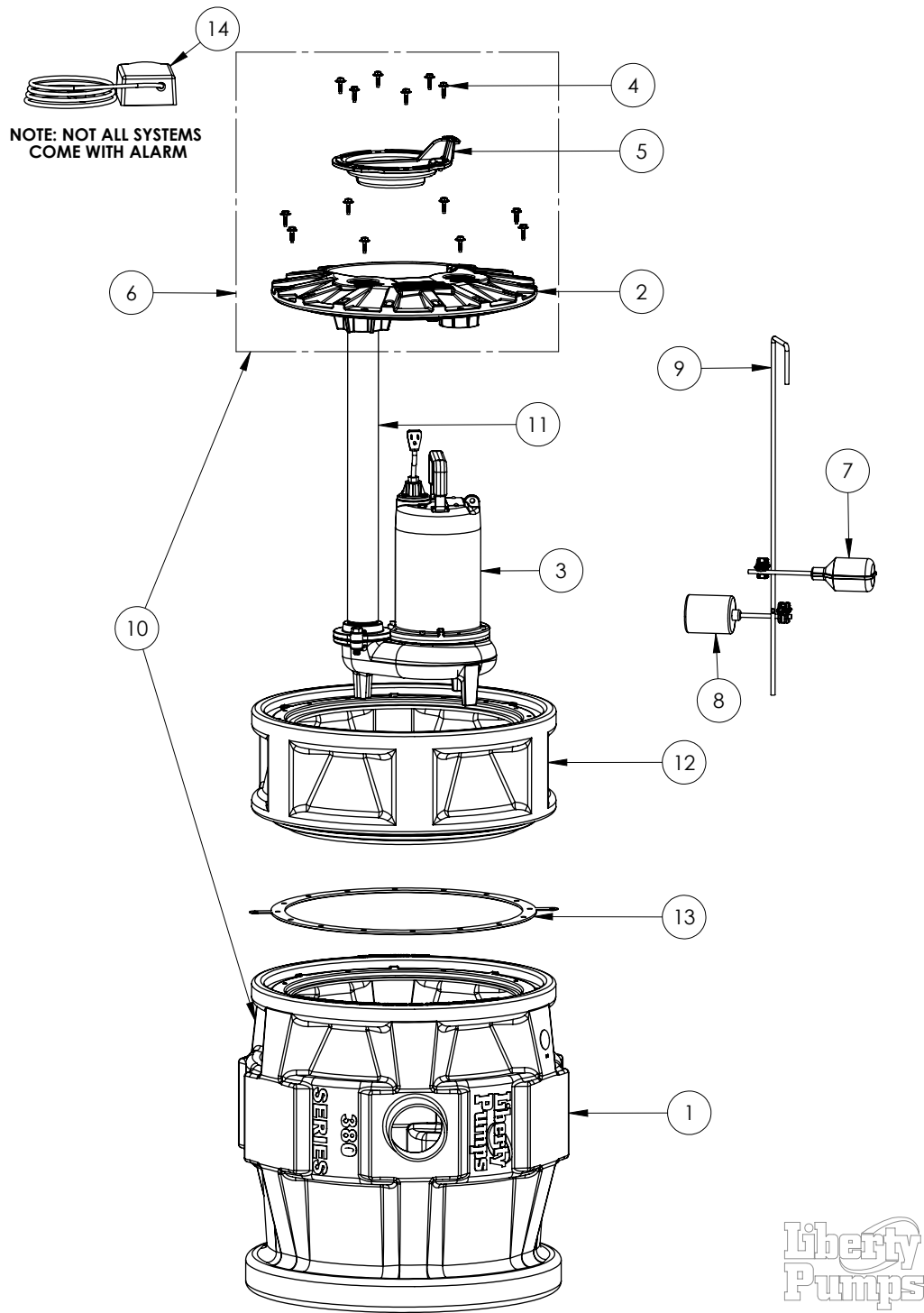


P382X8LEH102 (B10)



P382X8LEH102 (B10)

#	PART #	DESCRIPTION	QTY	Note
1	K001110	PRO380 SERIES 24" BASIN	1	
2	50340A0	2X2 COVER, 8 BOLTS, FOR PVC PIPE	1	
3	LEH102M2	1 HP SEWAGE PUMP 230V 10' POWER CORD	1	
4	K001162	COVER HARDWARE, WASHER HEAD HEX SCREWS 14 INCLUDED IN KIT	1	
5	K001233	INSPECTION COVER, INCLUDES MOUNTING SCREWS (6)	1	
6	K001101	COVER ASY 2X2, 8 BOLTS, FOR PVC PIPE	1	
7	Pro Series Alarm switch (B10)	REPLACEMENT SWITCH BASED ON SYSTEM LABEL	1	[1]
8	K001065	61290A0 FLOAT SWITCH, 230V, 10 FOOT CORD	1	
9	K001394	EXTENSION QUICK TREE KIT, ROD AND CLAMPS ONLY	1	
10	K001107	P382 TANK & 2X2 COVER ASSEMBLY	1	
11	K001290	2" SHC80 PVC PIPE FOR PRO TANK W/ EXTENSION	1	
12	X8	EXTENSION KIT, INCLUDES EXT BASIN,PIPE, BOLTS AND QUICK TREE SUPPORT	1	[2]
13	45990A0	GASKET MOLDED 20CVR SOFT	1	
14	SEE NOTE FOR ALARM	ALARM ONLY		[3]
15	K001065	61290A0 FLOAT SWITCH, 230V, 10 FOOT CORD	1	
16	K001186	SWITCH KIT, 230V, 25ft CORD	1	
17	K001134	FLOAT SWITCH, 20FT CORD, INCLUDES 1 SWITCH PER KIT	1	
18	K001415	60050D0 SWITCH, 10' PILOT DUTY PIGTAIL	1	

PART NOTES:

- [1] - **NOTE**
 ALARM SWITCH KITS
 For /A2 Suffix of model number use Part No. K001134
 For /A21 Suffix of model number use Part No. K001415
 For /A2W Suffix of model number use Part No. K001134
- [2] - To view PROSERIES X8 EXTENSION KIT click here
- [3] - ALARM PRO SERIES
 FORA2 SUFFIX OF MODEL
 NUMBER: USE PART NO 6225000
 FORA2W SUFFIX OF MODEL
 NUMBER: USE PART NO 6226000
 FORA21 SUFFIX OF MODE
 NUMBER: USE PART NO 6242000
 Part requires factory authorized service. Contact Liberty Pumps at 1-800-543-2550