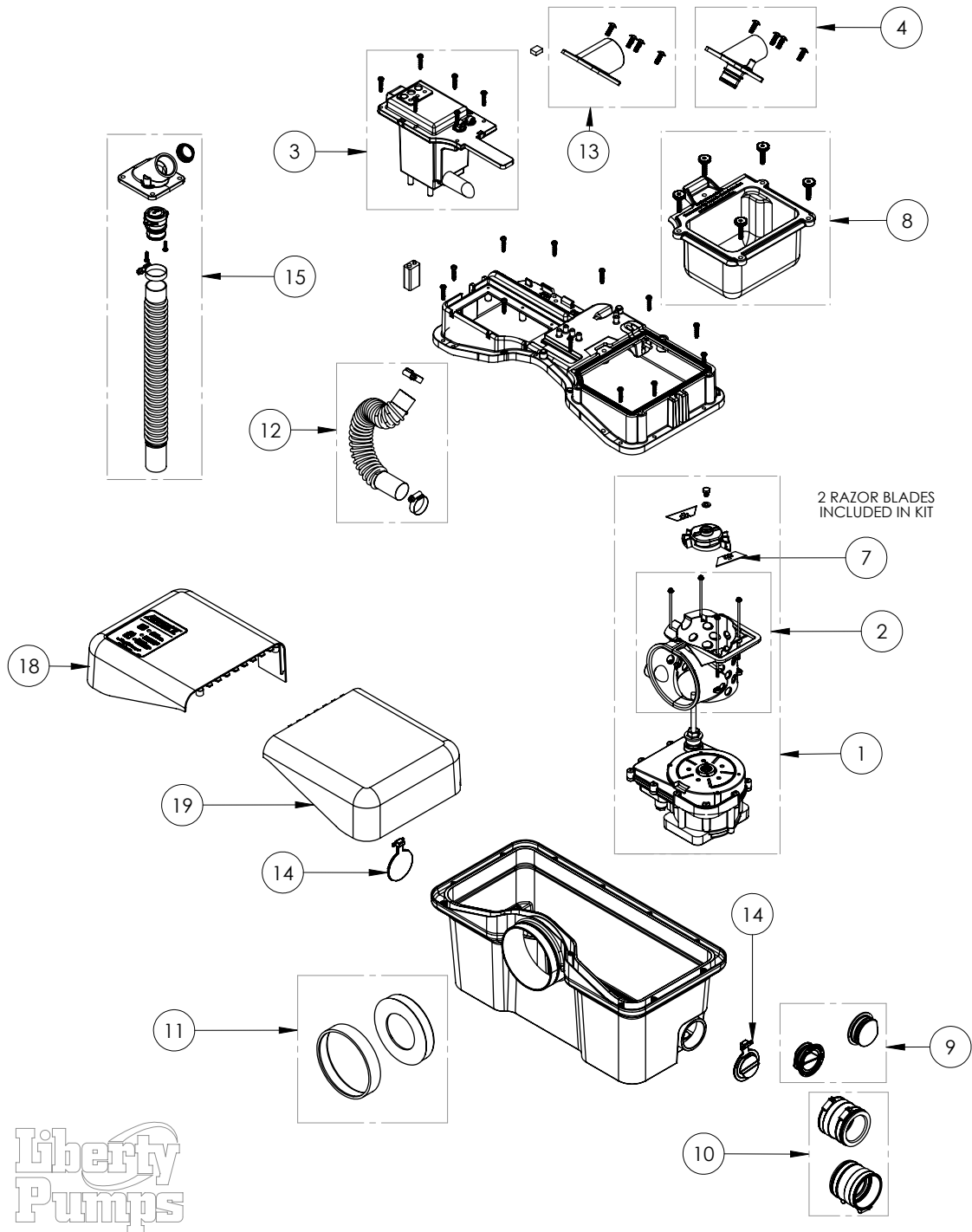


ASCENT II

ASCENT II-MUW (B69)



ASCENT II**ASCENT II-MUW (B69)**

#	PART #	DESCRIPTION	QTY	Note
1	K001364	PUMP/BASKET/RAZOR ASSEMBLY	1	
2	K001365	6774E20 BASKET AND SCREWS	1	
3	K001366	CONTROL SYSTEM	1	
4	K001367	KIT, ASCENT 2 DISCHARGE, CHECK FLANGE	1	
5	K001368	666000 LEFT SIDE DECORATIVE COVER	1	
6	K001369	6661000 RIGHT SIDE DECORATIVE COVER	1	
7	K001370	6668E20 RAZOR BLADES (2 INCLUDED IN KIT)	1	
8	K001371	6678000 ACCESS COVER AND THUMB SCREWS	1	
9	K001372	6701E00 SIDE PLUGS	1	
10	K001373	AUX CONNECTION COUPLINGS	1	
11	K001374	BUNG AND RETAINING RING	1	
12	K001375	FLEX HOSE AND (2) CLAMPS	1	
13	K001376	6652000 VENT FLANGE AND SCREWS	1	
14	6684200	INLET FLAPPER VALVE	2	
15	K001909	KIT, ASCENT 2, PE-IC HOSE, CLAMPS, COUPLER & CHECK VALVE	1	