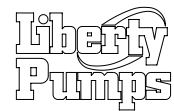
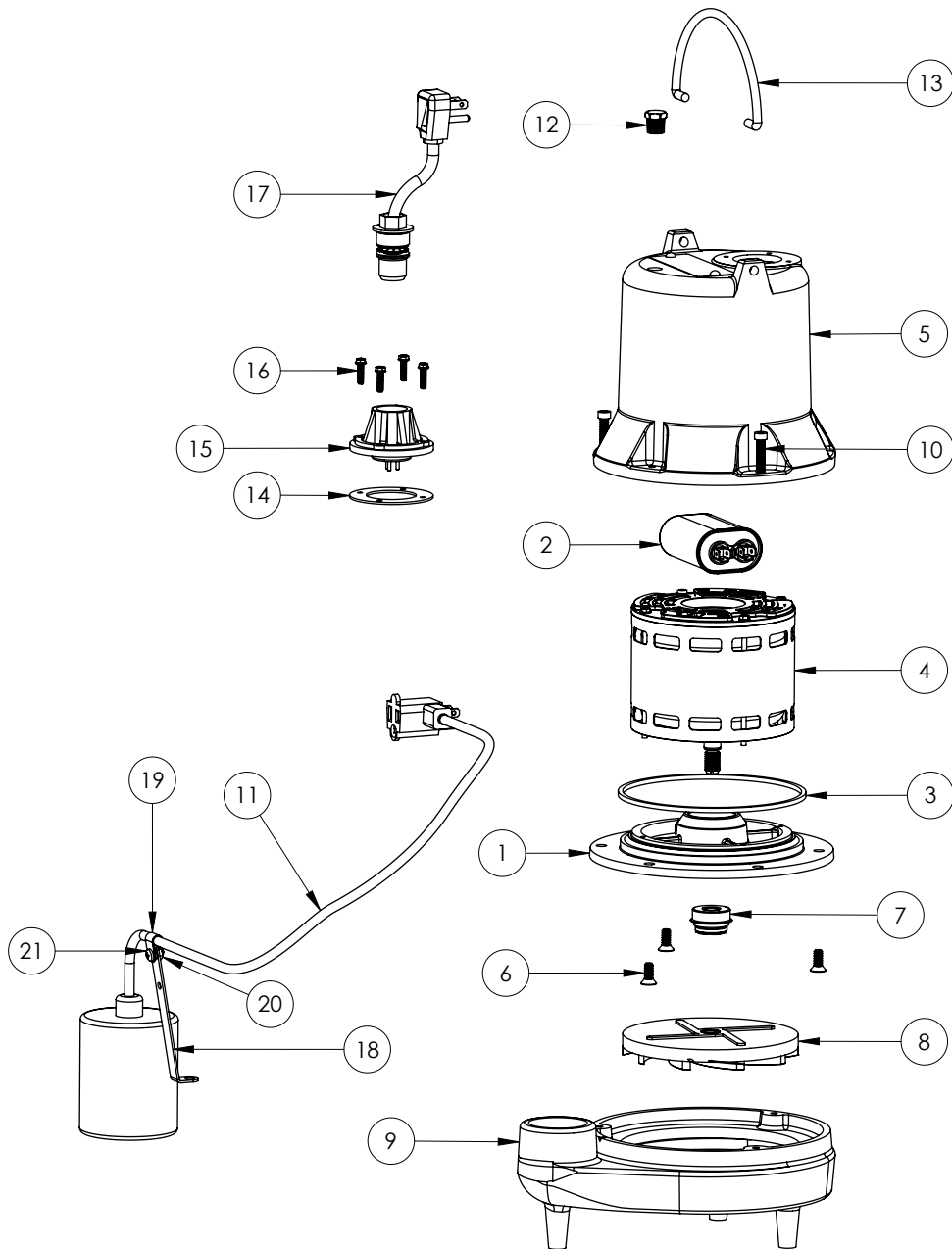


FL31A-3 (B41)



**FL31A-3****FL31A-3 (B41)**

#	PART #	DESCRIPTION	QTY	Note
1	509200R	MOTOR SUPPORT PLATE	1	[1]
2	51930D0	CAPACITOR	1	
3	5066000	SEALRING, MOTOR COVER, #254S	1	[1]
4	51972A0	MOTOR 1/2HP WITH BALL BEARING	1	[1]
5	527800R	MOTOR CAP	1	[1]
6	8018000	1/4-20 x 5/8 SLOTTED FLAT HEAD BOLT	3	
7	50980A0	1/2 INCH UNITIZED SEAL	1	[1]
8	K001169	IMPELLER	1	
9	500100R	HOUSING, VOLUTE	1	
10	8091000	1/4-20 x 1 HEX SOCKET HEAD BOLT	3	
11	K001416	KIT, 61010C0 CNTRL ASSEMBLY INCLUDES HARDWARE	1	
12	50710A0	PIPE PLUG, 1/4" HEX HD BRASS NPTF	1	
13	K001095	STAINLESS STEEL HANDLE	1	
14	5060000	CORD PLATE GASKET	1	
15	5014000	CORD PLATE	1	
16	8064000	#8-32 x 5/8 HEX WASHER HEAD SCREW	4	
17	K001346	POWER CORD, 35FT.	1	
18	5070000	FLOAT SWITCH SUPPORT	1	
19	8014000	CABLE CLAMP	1	
20	8002000	#10-24 STAINLESS STEEL HEX	1	
21	8082000	#10-24 x 3/8 EPOXY LOCK SCREW	1	

**PART NOTES:**

[1] - Part requires factory authorized service. Contact Liberty Pumps at 1-800-543-2550