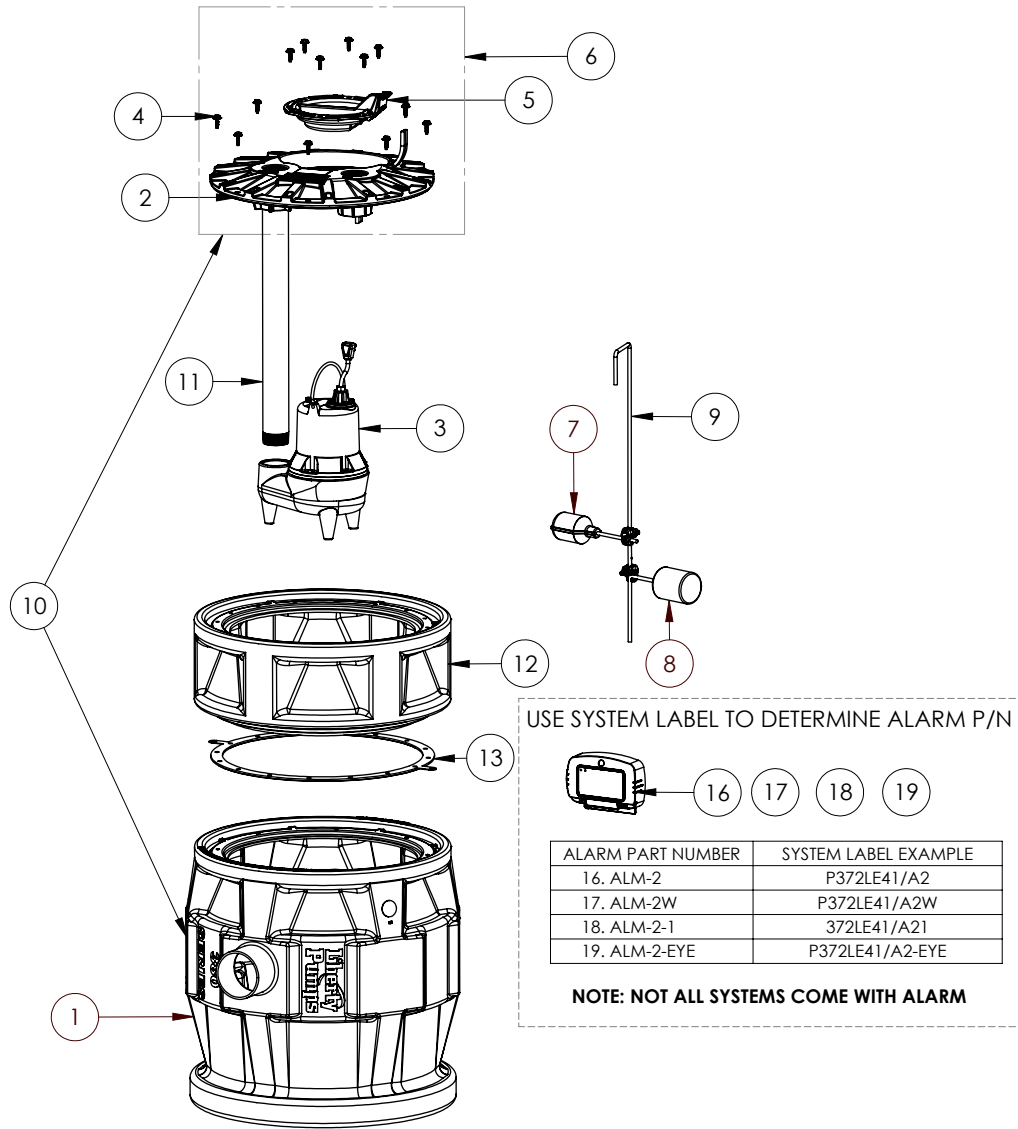


P382X8XLE41 (B94)



P382X8XLE41 (B94)

#	PART #	DESCRIPTION	QTY	Note
1	K001133	380XL TANK 16 BOLTS	1	
2	50340B0	2X2 COVER, 16 BOLT	1	
3	LE41M	4/10 HP SEWAGE PUMP 115V, 10' POWER CORD	1	
4	K001162	COVER HARDWARE, WASHER HEAD HEX SCREWS 14 INCLUDED IN KIT	1	
5	K001233	INSPECTION COVER, INCLUDES MOUNTING SCREWS (6)	1	
6	K001127	2X2 COVER ASSEMBLY, 16 BOLT, PVC	1	
7	Pro Series Alarm switch (B94)	REPLACEMENT SWITCH BASED ON SYSTEM LABEL	1	[1]
8	K001054	61130A0 PUMP SWITCH, 10' 115V	1	
9	K001394	EXTENSION QUICK TREE KIT, ROD AND CLAMPS ONLY	1	
10	K001137	P382XL TANK AND COVER	1	
11	K001290	2" SHC80 PVC PIPE FOR PRO TANK W/ EXTENSION	1	
12	X8	EXTENSION KIT, INCLUDES EXT BASIN,PIPE, BOLTS AND QUICK TREE SUPPORT	1	[2]
13	45990A0	GASKET MOLDED 20CVR SOFT	1	
16	ALM-2	ALARM 115V SWT-ACTV 20'	1	
17	ALM-2W	115V ALARM, WEATHERPROOF	1	
18	ALM-2-1	ALARM 115V 10FT CORD	1	
19	ALM-2-EYE	ALARM 115V SWT-ACTV 20' NIGHTEYE	1	
20	K001134	FLOAT SWITCH, 20FT CORD, INCLUDES 1 SWITCH PER KIT	1	
21	K001566	KIT, SWITCH PILOT DUTY, 10' 3-PIN	1	
22	K001569	KIT, SWITCH PILOT DUTY, 20' 3-PIN	1	

PART NOTES:

- [1] - ****NOTE****
ALARM SWITCH KITS
For /A2 Suffix of model number use Part No. K001569
For /A21 Suffix of model number use Part No. K001566
For /A2W Suffix of model number use Part No. K001134
For /A2-EYE Suffix of model number use Part No. K001569
- [2] - To view PROSERIES X8 EXTENSION KIT [click here](#)