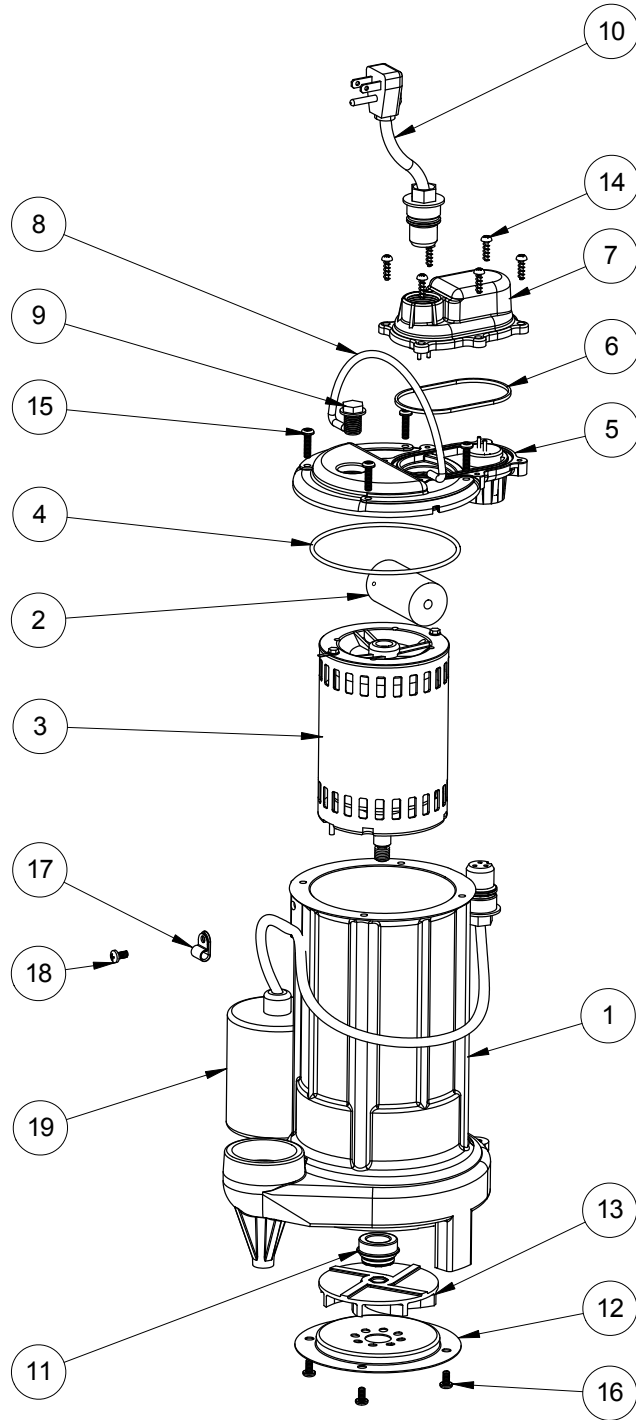


281 (B10)



## 281 (B10)

#	PART #	DESCRIPTION	QTY	Note
1	25160AG	CAST IRON HOUSING WITH HOLE	1	
2	25200B0	CAPACITOR	1	[1]
3	2517000	MOTOR, .8 HP	1	
4	2357000	O-RING	1	[1]
5	240600G	MOTOR COVER, GREY	1	
6	K001046	SEALRING, CHAMBER COVER	1	
7	240700G	CHAMBER COVER, GREY	1	
8	K001082	HANDLE	1	
9	8089000	OIL PLUG, O-RING ASSEMBLY	1	
10	K001010	POWER CORD, 115V, 10 FOOT CORD	1	
11	5098000	1/2 INCH UNITIZED SEAL	1	
12	2414000	280 SERIES STAMPING INLET	1	
13	K001091	280 SERIES IMPELLER KIT	1	
14	8104200	#10 HILO X 5/8" STAINLESS STEEL SCREW	6	
15	8072000	#10 - 24 x 3/4" SCREW	4	
16	8092000	#10 - 24 x 3/8" SCREW	4	
17	8014000	CABLE CLAMP	1	
18	8082000	#10-24 x 3/8 EPOXY LOCK SCREW	1	
19	K001080	2405000 MECHANICAL SWITCH W/ QUICKPLUG	1	

**PART NOTES:**

[1] - Part requires factory authorized service. Contact Liberty Pumps at 1-800-543-2550