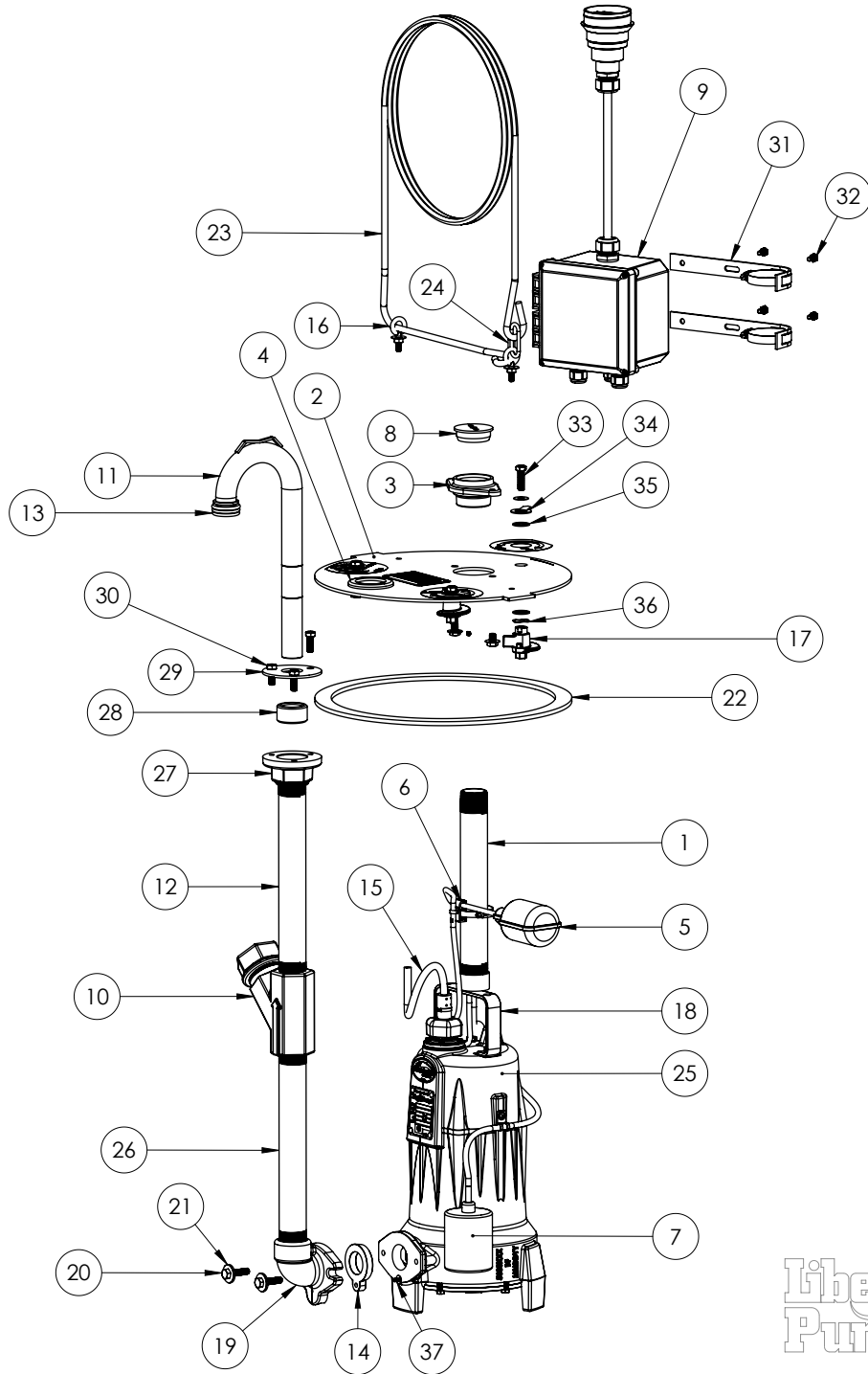


LSGX202-REX (B73)



LSGX202-REX

LSGX202-REX (B73)

#	PART #	DESCRIPTION	QTY	Note
1	8552000	1-1/4" PIPE HANGER	1	
2	854900B	PAINTED COVER	1	
3	855100B	PIPE SUPPORT FLANGE	2	
4	4766000	1-1/4" PIPE SEAL GROMMET	1	[1]
5	60050C0	ALARM SWITCH	1	
6	5870000	SWITCH CLAMP	1	
7	57370A0	FLOAT SWITCH	1	
8	45480C0	3 HOLE STOPPER	1	
9	K001463	RE ELECTRIC BOX CONVERT KIT ROUND	1	
10	5681000	ANTI-SIPHON CHECK VALVE, 1-1/4" NPT	1	
11	8570000	DISCHARGE ELBOW, STAINLESS STEEL	1	[2]
12	K001500	DISCHARGE PIPE, 1-1/4", SS 13" LONG	2	
13	8571000	DISCHARGE SEAL	2	
14	5644000	1-1/4" FLANGE SEAL GROMMET	1	
15	K001760	KIT, 11' POWER CORD ASSEMBLY, 230V 1 PH	1	
16	5673000	EYEBOLT	2	
17	8561200	CAM LOCK	1	
18	56740A0	PUMP HANDLE / HANGER	1	
19	565400R	FLANGED ELBOW	1	
20	8110000	3/8-16 x 1-1/2" STAINLESS STEEL HEXBOLT 3/8-16X1-1/2 316SS	2	
21	8158000	WASHER, 3/8 x 1-1/8, SS	2	
22	4071RB0	COVER GASKET	1	
23	5667000	14 FT BLACK ROPE, SPECIAL ENDS	1	
24	4755000	3/16" QUICK LINK, STAINLESS STEEL	1	
25	LSGX202-REP	2-STAGE GRINDER REPLACEMENT FOR -RE	1	
26	K001500	DISCHARGE PIPE, 1-1/4", SS 13" LONG	1	
27	8556200	DISCHARGE FLANGE FOR -RE	1	
28	8558000	DISCHARGE SEAL	1	
29	8557000	DISCHARGE SEAL PLATE	1	
30	8106000	BOLT 3/8-16x1 316 SS HEX	3	
31	8568000	BRACKET-CONTROL BOX	2	
32	8030000	BOLT 1/4-20 X 1/2 HX HEAD SS	4	
33	8566000	BOLT 3/8-16 x 1-1/4" SS	1	
34	8562000	CAM LOCK POINTER	1	
35	8565000	FLAT WASHER - NYLON	1	
36	8563000	SPRING WASHER	1	
37	8141000	WASHER, #10 X 1/2 SS	1	

PART NOTES:

- [1] - Part requires factory authorized service. Contact Liberty Pumps at 1-800-543-2550
- [2] - K001498: RE-DISCHARGE KIT

Includes: