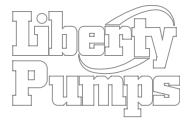
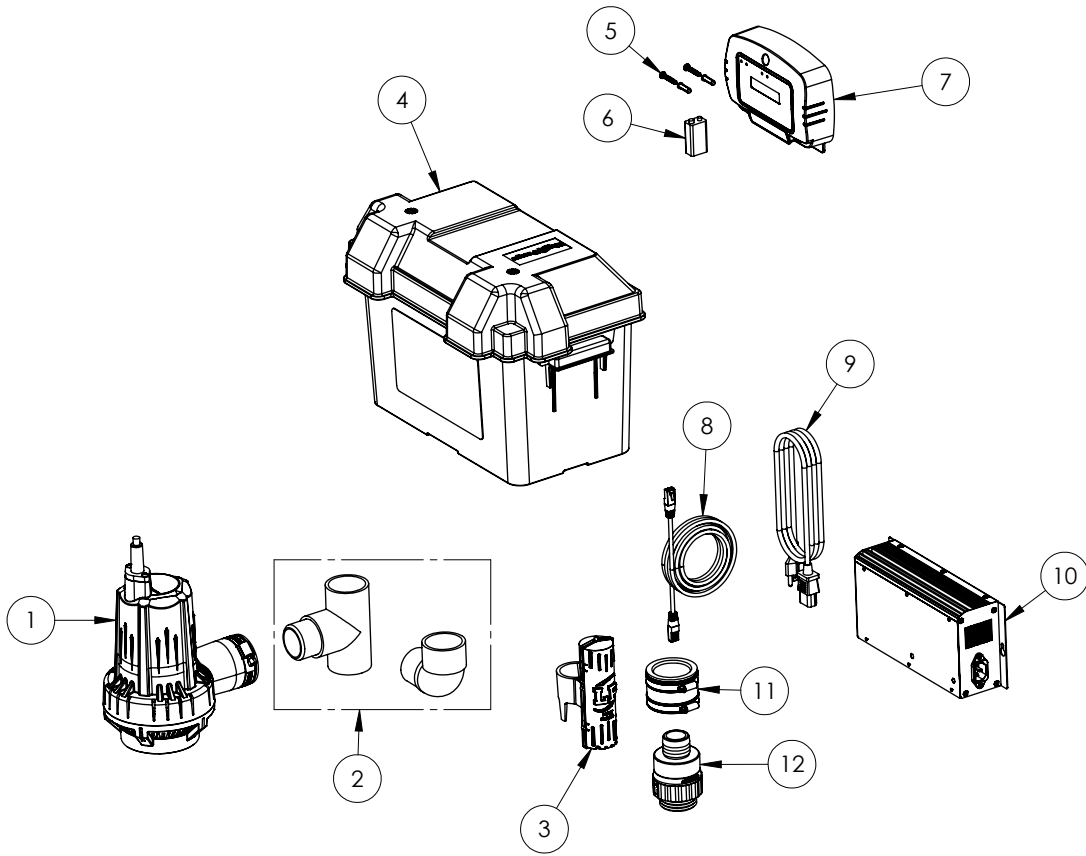


442-10A-EYE (B93)



442-10A-EYE (B93)

| # | PART # | DESCRIPTION | QTY | Note |
|----|---------|--|-----|------|
| 1 | K001575 | 442 REPLACEMENT PUMP | 1 | |
| 2 | K001576 | 1.5" PVC TEE AND STREET ELBOW KIT (TEE AND ELBOW ONLY) | 1 | |
| 3 | K001577 | DUAL REED SWITCH ASSEMBLY KIT | 1 | |
| 4 | K001574 | STORM CELL SINGLE BATTERY BOX | 1 | |
| 5 | 2119000 | FASTENER-ALM SERIES MOUNTING | 1 | |
| 6 | K001567 | KIT, BATTERY 9V, 625MAH | 1 | |
| 7 | K001617 | 442 NIGHTEYE INTERFACE | 1 | |
| 8 | K001578 | 8FT ETHERNET CABLE | 1 | |
| 9 | K001579 | CHARGER POWER CORD | 1 | |
| 10 | K001580 | 10A CHARGER AND PWR CORD KIT | 1 | |
| 11 | 6706200 | PVC FLEXIBLE COUPLING ASSY | 1 | |
| 12 | 5695200 | CHECK VALVE 1-1/2" X1-1/4" PLASTIC THREADED | 1 | |