

# PRODUCT INFORMATION PACKET

Model No: 132STFC6586  
Catalog No: R353A  
4,1200,TEFC,132S,3/60/230/460  
TEFC



Regal and Marathon are trademarks of Regal Beloit Corporation or one of its affiliated companies.  
©2018 Regal Beloit Corporation, All Rights Reserved. MC017097E





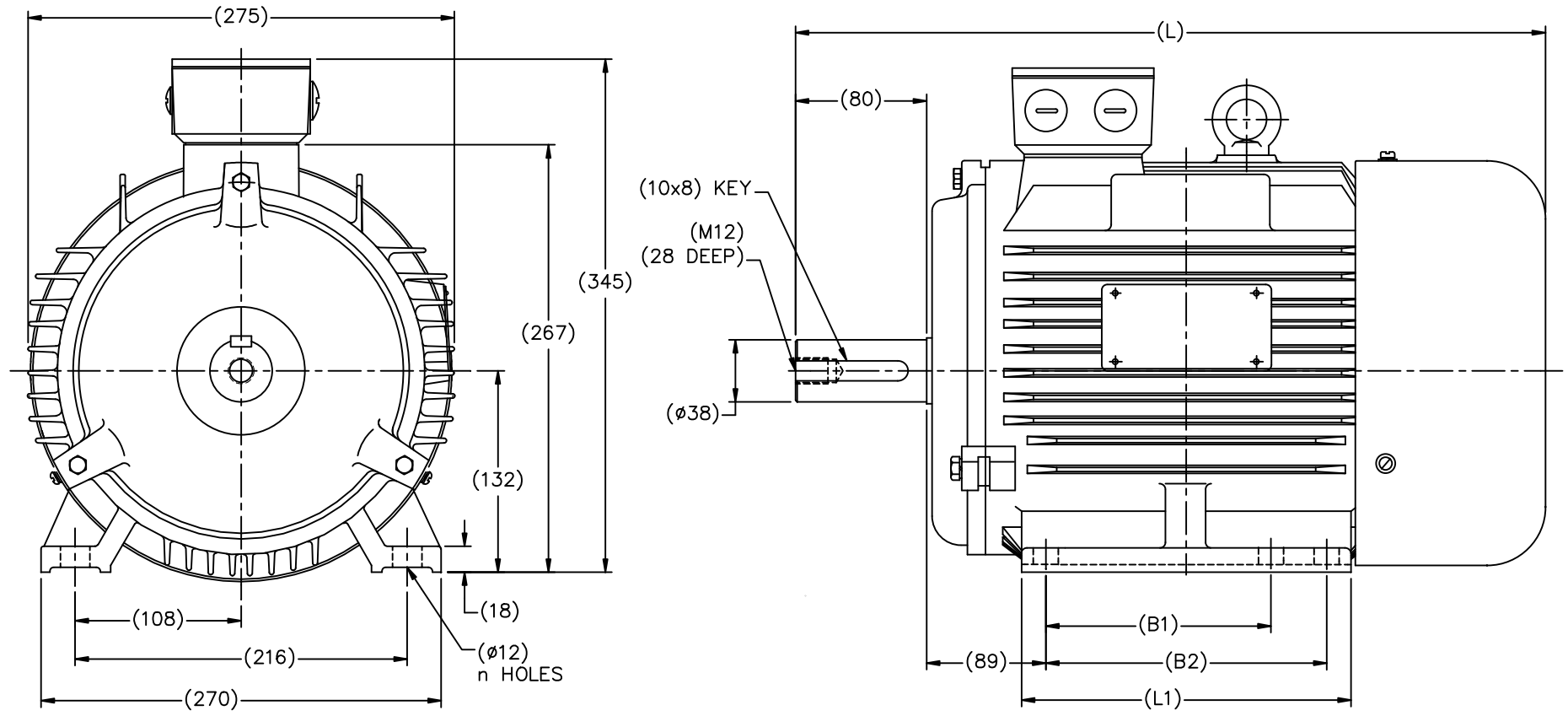
### Nameplate Specifications

Output HP	<b>4 Hp</b>	Output KW	<b>3.0 kW</b>
Frequency	<b>60 Hz</b>	Voltage	<b>230/460 V</b>
Current	<b>12.4/6.2 A</b>	Speed	<b>1182 rpm</b>
Service Factor	<b>1.15</b>	Phase	<b>3</b>
Efficiency	<b>89.5 %</b>	Duty	<b>Continuous</b>
Insulation Class	<b>F</b>	Design Code	<b>B</b>
KVA Code	<b>J</b>	Frame	<b>132S</b>
Enclosure	<b>Totally Enclosed Fan Cooled</b>	Overload Protector	<b>No</b>
Ambient Temperature	<b>40 °C</b>	Drive End Bearing Size	<b>6308</b>
Opp Drive End Bearing Size	<b>6207</b>	UL	<b>No</b>
CSA	<b>Y</b>	CE	<b>Y</b>
IP Code	<b>55</b>		

### Technical Specifications

Electrical Type	<b>Squirrel Cage Inverter Rated</b>	Starting Method	<b>Line Or Inverter</b>
Poles	<b>6</b>	Rotation	<b>Reversible</b>
Mounting	<b>Rigid base</b>	Motor Orientation	<b>Horizontal</b>
Drive End Bearing	<b>Ball</b>	Opp Drive End Bearing	<b>Ball</b>
Frame Material	<b>Cast Iron</b>	Shaft Type	<b>IEC</b>
Overall Length	<b>18.26 in</b>	Shaft Diameter	<b>1.500 in</b>
Shaft Extension	<b>3.14 in</b>	Assembly/Box Mounting	<b>F3</b>
Outline Drawing	<b>SS622267</b>	Connection Diagram	<b>004172.03</b>

This is an uncontrolled document once printed or downloaded and is subject to change without notice. Date Created: 06/29/2018



MODEL	Cat. No.	B1	B2	L1	L	n
DF132S-6R	S220303051	140		186	464	4

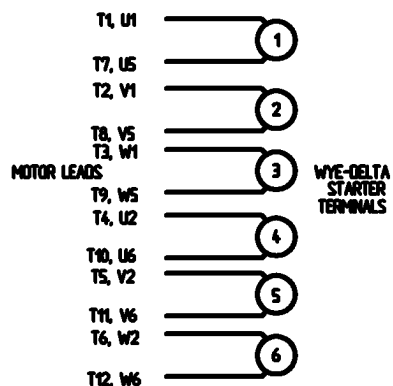
(MAY NOT BE DRAWN TO SCALE)

(DIMENSIONS ARE IN MILLIMETERS)

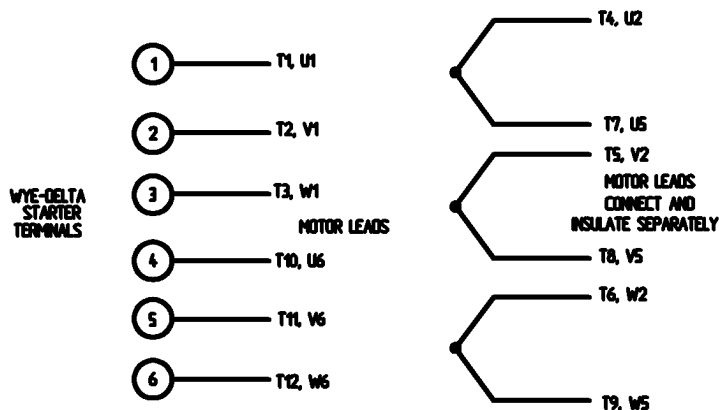
			TOLERANCES UNLESS SPECIFIED			DRAWN HLB 12-09-2010	
			DEC.	METRIC		CHK DJK 12-17-2010	
			.X	±2.5		APPD SB 12-18-2010	
			.XX	±.76		SCALE 1=18	
			.XXX	±.127		REF 193305.60	
			.XXXX	±.0127	MAT'L	FMF HEBEI	
NO.	REVISION	BY & DATE	CHK	ANG	FINISH	PREV	
THIS DRAWING IN DESIGN AND DETAIL IS OUR PROPERTY AND MUST NOT BE USED EXCEPT IN CONNECTION WITH OUR WORK ALL RIGHTS OF DESIGN AND INVENTION ARE RESERVED THIS IS AN ELECTRONICALLY GENERATED DOCUMENT - DO NOT SCALE THIS PRINT			RFP	12-22-2010	CAD FILE SS622267	SIZE B	DRAWING NO. PAGE OF REV. SS622267
			DIST				

WYE - DELTA STARTING USEABLE ON 2,4 AND 6 POLE MOTORS.

LOW VOLTAGE CONNECTION

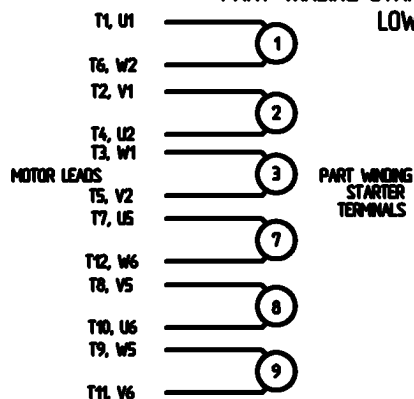


HIGH VOLTAGE CONNECTION



REFER TO THE WYE-DELTA STARTER CONNECTION INSTRUCTIONS FOR PROPER CONNECTION OF POWER LINES TO STARTER.

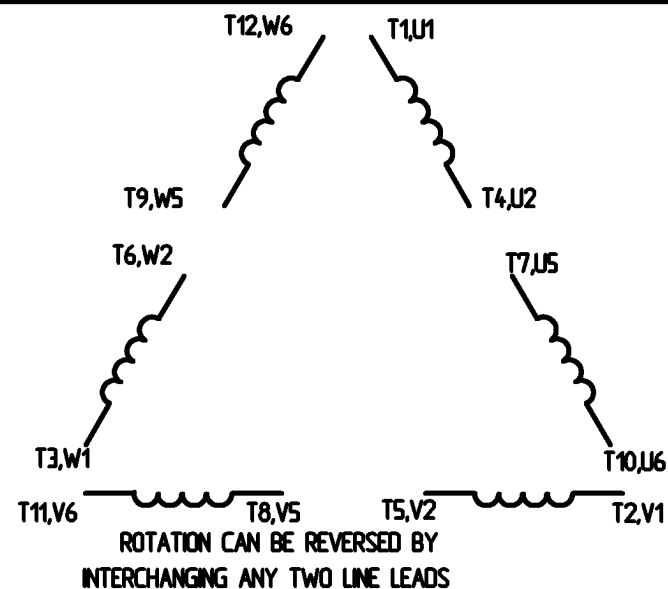
PART WINDING START USABLE ON 4 & 6 POLE MOTORS  
LOW VOLTAGE CONNECTION ONLY



REFER TO THE PART WINDING STARTER INSTRUCTIONS FOR PROPER CONNECTION OF POWER LINES TO STARTER.

REFER TO THE CUTLER - HAMMER OR EQUIV. FOR PROPER SELECTION OF OVERLOAD HEATER COILS.

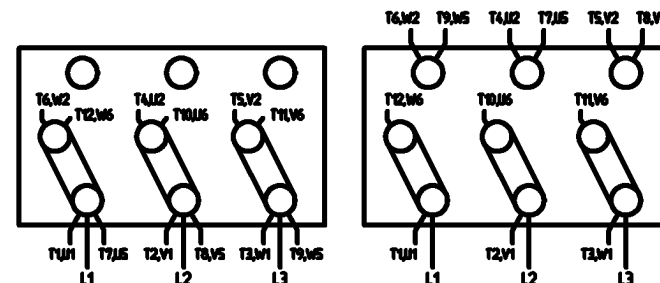
LINE LEADS



12 LEAD DELTA CONNECTION ACROSS THE LINE START  
(FOR Y START DELTA RUN, REMOVE THE JUMPERS)

LOW VOLTAGE  
MUST BE REWIRED  
AS SHOWN

HIGH VOLTAGE  
FACTORY WIRED FOR HIGH  
VOLTAGE AS SHOWN



				TOLERANCES UNLESS SPECIFIED		<p><b>ELECTRIC MOTORS GEARMOTORS AND DRIVES</b></p>	DRAWN	CW 08/28/02	
				DEC.	INCHES		CHK		
				X	+ .1		APPO		
				XX	+ .01		SCALE	1:1	
				XXX	+ .005		REF		
				XXXX	+ .0005	FINISH			
NO.	REVISION	BY & DATE	CHK	ANG	+ 1/2°		PREV		
THIS DRAWING IN DESIGN AND DETAIL IS OUR PROPERTY AND MUST NOT BE USED EXCEPT IN CONNECTION WITH OUR WORK. ALL RIGHTS OF DESIGN AND INVENTION ARE RESERVED. THIS IS AN ELECTRONICALLY GENERATED DOCUMENT - DO NOT SCALE THIS PRINT.				RFP	CAD FILE	00417203	SIZE	DRAWING NO.	REV.
				DST			A	004172-03	

```
ERROR: syntaxerror  
OFFENDING COMMAND: --nostringval--
```

```
STACK:
```

```
/CB  
-dictionary-  
/Pscript_WinNT_Compact  
-dictionary-
```



P.O. BOX 9003  
WAUSAU, WI 54401-9003  
PH. 715-675-3311

DATA VOLTS: 460

CERTIFICATION DATA SHEET

CUSTOMER: \_\_\_\_\_  
ORDER #: \_\_\_\_\_  
CONN. DIAGRAM: 004172.03  
OUTLINE: SS622267  
WINDING: T08706008 NONE 3  
SPEED: \_\_\_\_\_

CUSTOMER P.O. #: \_\_\_\_\_  
REFERENCE MODEL #: 132STFC6586  
CAT #: R333A  
CUSTOMER PART #: \_\_\_\_\_  
MOUNTING: F3

TYPICAL MOTOR PERFORMANCE DATA

HP	KW	SYNC RPM	FL RPM	FRAME	ENCLOSURE	TYPE	KVA CODE	DESIGN	
4	3.0	1200	1182	132S	TEFC	TEFC	J	N	
PH	HZ	VOLTS	AMPS	START TYPE	DUTY	INSL	S.F.	AMB	ELEV.
3	60/50	230/460#200/400	12.4/6.2&11.6/5.8	LINE OR INVERTER	CONT	F	1.15	40	3300

F.L. EFF	89.5	3/4 LD EFF	89.5	1/2 LD EFF	87.5	GTD EFF	47.5	ELECT. TYPE	SO CAGE INV RATED
F.L. PF	66.5	3/4 LD PF	59.5	1/2 LD PF	47.5	85.5			

F.L. TORQUE	LR AMPS @ 460 V	L.R. TORQUE	32.5	LB-FT	182%	B.D. TORQUE	57.0	LB-FT	318%	F.L. RISE (°C)	30
17.9 LB-FT											

@ 3 FT.	POWER	ROTOR WK <sup>3</sup>	MAX. LOAD WK <sup>2</sup>	SAFE STALL TIME	STARTS/HOUR	MOTOR WGT
54	63	0.00	0	0	0	190 LB.

\*\*\* SUPPLEMENTAL INFORMATION \*\*\*

DE BRACKET TYPE	ODE BRACKET TYPE	MOUNT TYPE	MOTOR ORIENTATION	SEVERE DUTY	HAZARDOUS LOCATION	DRIP COVER	SCREENS	PAINT
STANDARD	STANDARD	RIGID	HORIZONTAL	UM SEVERE	NONE	NO	NONE	BLUE (ENAMEL)
BEARINGS	GREASE	SHAFT TYPE	SPECIAL DE	SPECIAL ODE	SHAFT	MATERIAL	FRAME MATERIAL	
DE BALL 6308	POLYREX EM	STANDARD IEC	NONE	NONE	1045 HOT ROLLED (C-204		CAST IRON	

THERMOSTATS	PROTECTORS	WDG RTD's	BRG RTD's	THERMISTORS	CONTROL	SPACE HEATERS
NONE	NOT	NONE	NONE	NONE	FALSE	NA
R1 (ohms/ph)	R2 (ohms/ph)	X1 (ohms/ph)	X2 (ohms/ph)	Xm (ohms/ph)	VIBRATION (in/sec)	FLOAT
0	0	0	0	0	0.080	ODE

INVERTER TORQUE: CONSTANT 2:1  
INV. HP SPEED RANGE: 1.5 X BASE SPEED

ENCODER: NONE	NONE	NONE	NONE	BRAKE: NONE	NONE	NONE	NONE	PPR
---------------	------	------	------	-------------	------	------	------	-----

PREPARED BY: EARL BABBITTS  
DATE: 5/5/2017  
FORM: 3531 REV\_4 2/27/06  
U.I.: NONE  
VOLTAGE: NONE  
HZ: \_\_\_\_\_

