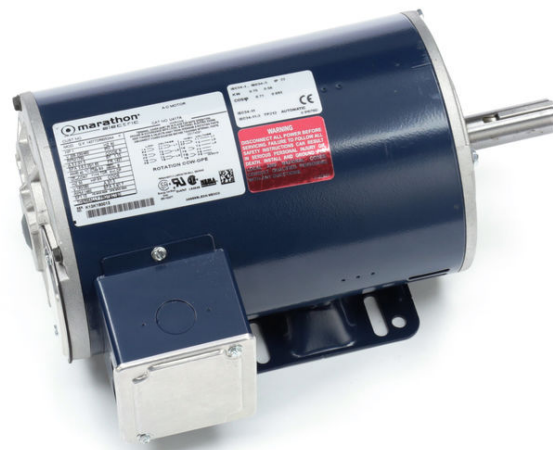


PRODUCT INFORMATION PACKET

Model No: 143TTDR6052
Catalog No: U417A
1,1800,DP,143T,3/60/230/460
Open Drip Proof (ODP)



Regal and Marathon are trademarks of Regal Beloit Corporation or one of its affiliated companies.
©2018 Regal Beloit Corporation, All Rights Reserved. MC017097E





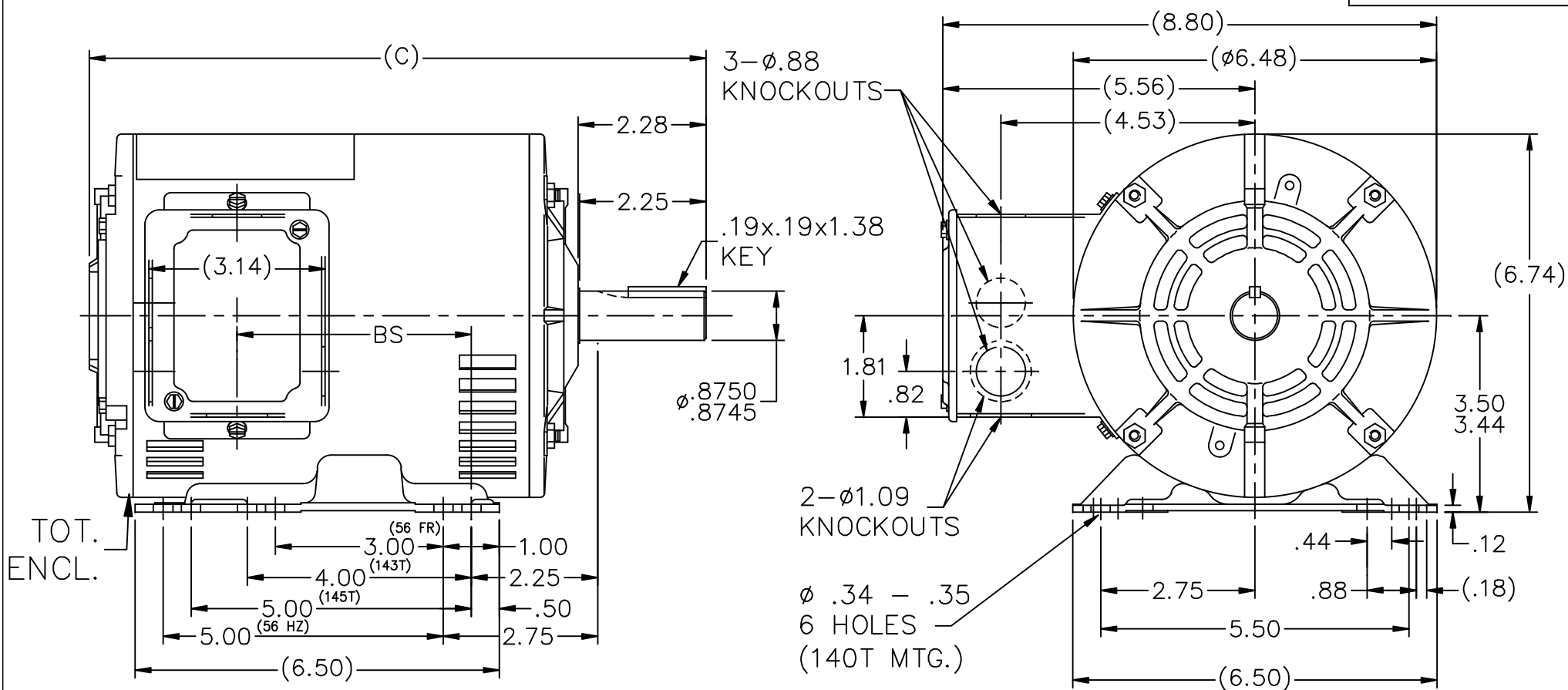
Nameplate Specifications

Output HP	1 Hp	Output KW	0.75 kW
Frequency	60 Hz	Voltage	230/460 V
Current	3.0/1.5 A	Speed	1760 rpm
Service Factor	1.15	Phase	3
Efficiency	85.5 %	Duty	Continuous
Insulation Class	B	Design Code	B
KVA Code	N	Frame	143T
Enclosure	Drip Proof	Overload Protector	Automatic
Ambient Temperature	40 °C	Drive End Bearing Size	6205
Opp Drive End Bearing Size	6203	UL	Recognized
CSA	Y	CE	Y
IP Code	22		

Technical Specifications

Electrical Type	Squirrel Cage Induction Run	Starting Method	Across The Line
Poles	4	Rotation	Reversible
Mounting	Rigid base	Motor Orientation	Horizontal
Drive End Bearing	Ball	Opp Drive End Bearing	Ball
Frame Material	Rolled Steel	Shaft Type	T
Overall Length	12.99 in	Frame Length	9.06 in
Shaft Diameter	0.875 in	Shaft Extension	2.28 in
Assembly/Box Mounting	F1 Only		
Outline Drawing	A-107767-906	Connection Diagram	A-EE7335

This is an uncontrolled document once printed or downloaded and is subject to change without notice. Date Created: 06/29/2018



DASH	FR.	C	BS/140T	DASH	FR.	C	BS/140T
				806	140T/56HZ	11.99	4.86
				856	"	12.49	5.36
706	140T/56HZ	10.99	3.86	906	"	12.99	5.86
756	"	11.49	4.36	956	"	13.49	6.36

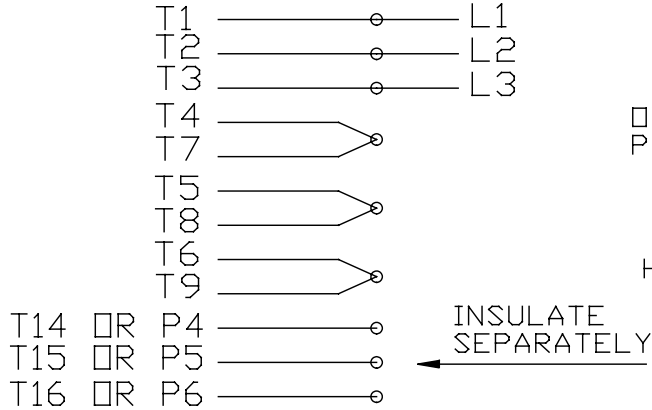
NOTES:
 1. CONDUIT BOX CAN BE ROTATED 180°.
 2. NAMPLATE READ FROM CONDUIT BOX SIDE.

				TOLERANCES UNLESS SPECIFIED		MARATHON ELECTRIC	DRAWN PN 11/11/2011		
				DEC.	INCHES		CHK SVL 11/11/2011	APPD	
				.X	±.1	TITLE OUTLINE 140T & 56HZ - DP. (DUAL PULLEY)	SCALE 3=8		
				.XX	±.03		REF A-100085		
				.XXX	±.005		FMF		
				.XXXX	±.0005		PREV		
NO.	REVISION			BY & DATE	CHK	ANG	FINISH		
				RFP 02-16-2006			CAD FILE 107767	SIZE A	DRAWING NO. 107767
				DIST WP				PAGE OF	REV.

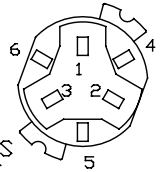
THIS DRAWING IN DESIGN AND DETAIL IS OUR PROPERTY AND MUST NOT BE USED EXCEPT IN CONNECTION WITH OUR WORK ALL RIGHTS OF DESIGN AND INVENTION ARE RESERVED THIS IS AN ELECTRONICALLY GENERATED DOCUMENT - DO NOT SCALE THIS PRINT

EE7335

HIGH VOLTAGE CONNECTIONS

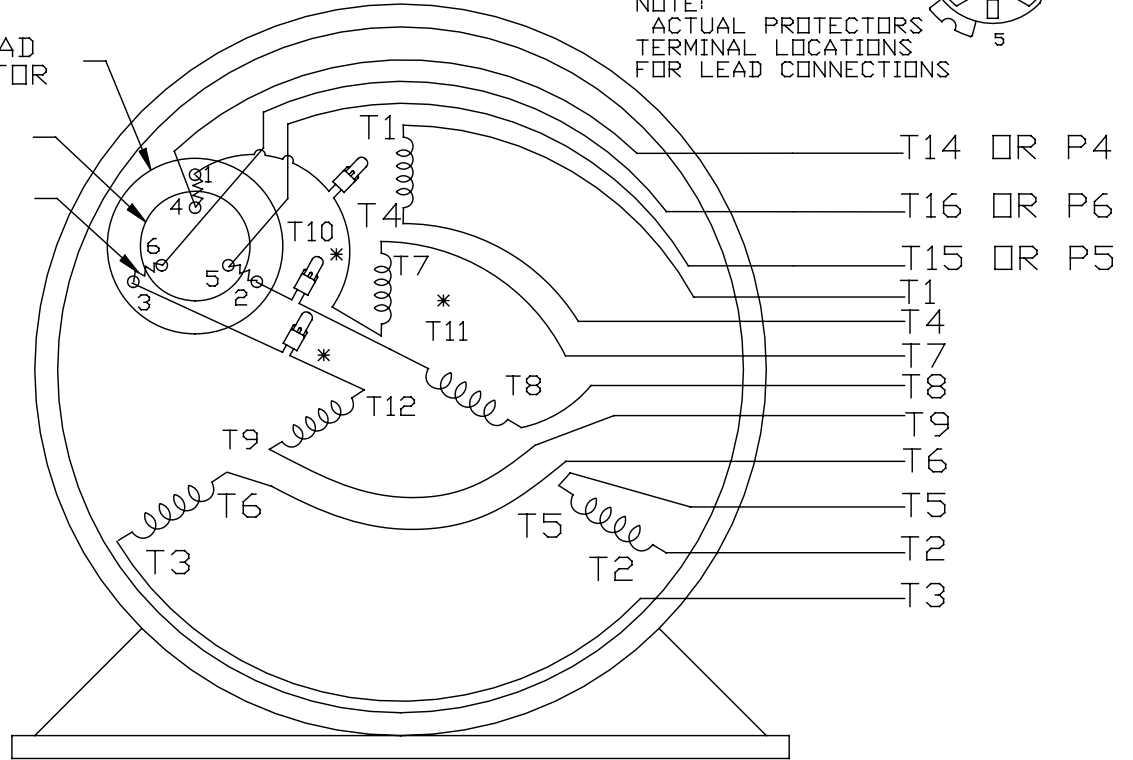


THREE PHASE - DUAL VOLTAGE MOTOR WITH OVERLOAD PROTECTOR

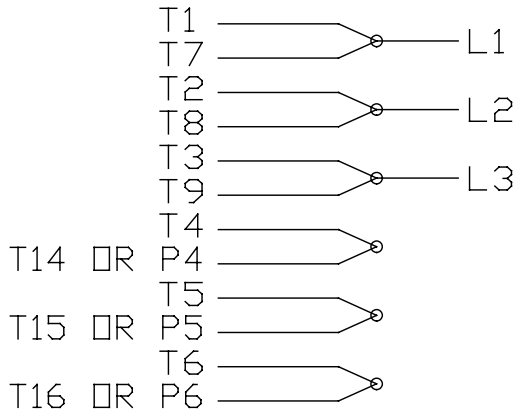


NOTE:
ACTUAL PROTECTORS
TERMINAL LOCATIONS
FOR LEAD CONNECTIONS

OVERLOAD
PROTECTOR
DISC
HEATER



LOW VOLTAGE CONNECTIONS



VIEW OF TERMINAL END

* USE PRESSURE CONNECTORS FOR MT2 PLANT ONLY

T2K
T4D
T6AN

NO.	REVISION	BY & DATE	CHK	TOLERANCES UNLESS SPECIFIED		FINISH	DRAWN	SCALE	REV.	
				DEC.	INCHES					
17	CHANGED LOGO FROM MARATHON TO REGAL	KIR 02/16/16	AB	DEC.	INCHES	Regal Beloit America, Inc.	KL	08-09-1993		
16	PRESSURE CONNECTORS QUANTITY WAS 6	PVR 10/29/13	GR	.X	±.1		CHK	ML	08/10/1993	
15	PRESSURE CONNECTORS ADDED	GR 03/04/13	SR	.XX	±.01		APPD	GK	08/10/1993	
14	ADDED ACTUAL PROECTOR VIEW CN 17481	KL 05/18/94		.XXX	±.005		TITLE		1=1	
13	REDRAWN IN AUTO CAD	KL 08/11/93		.XXXX	±.0005		3Ø-DUAL VOLT WITH OVERLOAD PROTECTO	REF		
				ANG	±1/2*	MAT'L.	FMF			
				RFP		FINISH	PREV			
				DIST		CAD FILE	EE7335	SIZE	DRAWING NO.	
						A	EE7335		17	

THIS DRAWING IN DESIGN AND DETAIL IS OUR PROPERTY AND MUST NOT BE USED EXCEPT IN CONNECTION WITH OUR WORK ALL RIGHTS OF DESIGN AND INVENTION ARE RESERVED THIS IS AN ELECTRONICALLY GENERATED DOCUMENT - DO NOT SCALE THIS PRINT

