

PRODUCT INFORMATION PACKET

Model No: 143TTFR16017
Catalog No: C201B
1 1/2,3600,TEFC,143TC,3/60/230/460
Totally Enclosed Fan Cooled (TEFC)



Regal and Marathon are trademarks of Regal Beloit Corporation or one of its affiliated companies.
©2018 Regal Beloit Corporation, All Rights Reserved. MC017097E



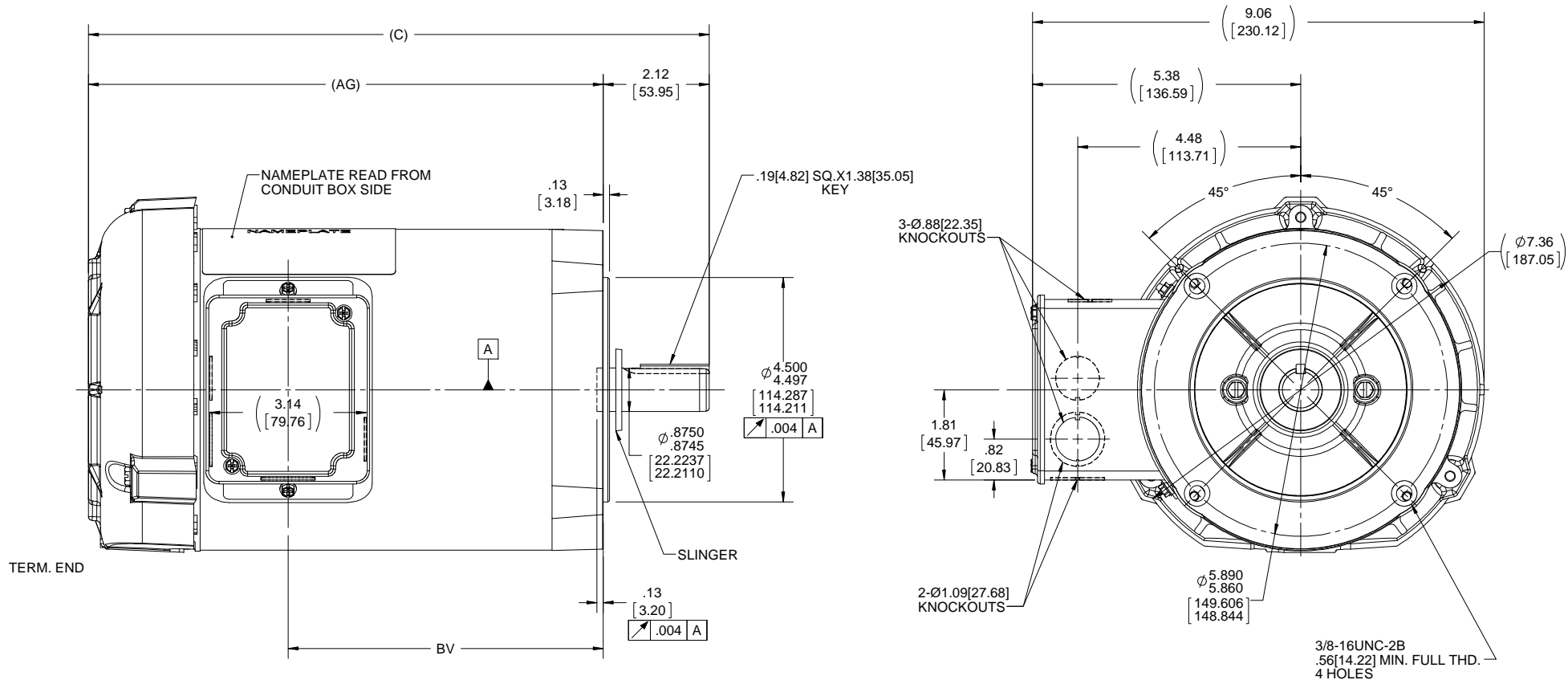
Nameplate Specifications


Output HP	1.50 Hp	Output KW	1.1 kW
Frequency	60 Hz	Voltage	230/460 V
Current	4.0/2.0 A	Speed	3515 rpm
Service Factor	1.15	Phase	3
Efficiency	84 %	Duty	Continuous
Insulation Class	F	Design Code	B
KVA Code	M	Frame	143TC
Enclosure	Totally Enclosed Fan Cooled	Overload Protector	No
Ambient Temperature	40 °C	Drive End Bearing Size	6205
Opp Drive End Bearing Size	6203	UL	Recognized
CSA	Y	CE	Y
IP Code	43		

Technical Specifications

Electrical Type	Squirrel Cage Induction Run	Starting Method	Across The Line
Poles	2	Rotation	Reversible
Mounting	Round	Motor Orientation	Horizontal
Drive End Bearing	Ball	Opp Drive End Bearing	Ball
Frame Material	Rolled Steel	Shaft Type	T
Overall Length	13.37 in	Frame Length	8.06 in
Shaft Diameter	0.875 in	Shaft Extension	2.12 in
Assembly/Box Mounting	F1 Only		
Outline Drawing	A-100105-806	Connection Diagram	EE7308

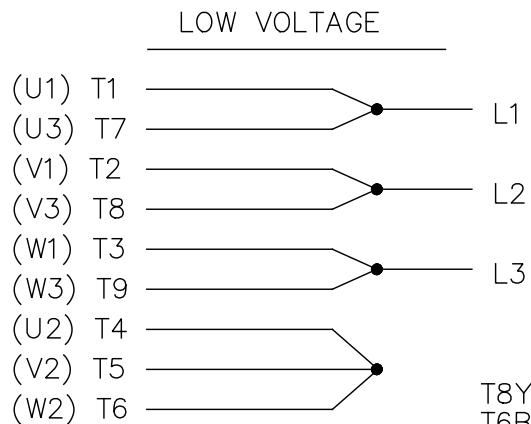
This is an uncontrolled document once printed or downloaded and is subject to change without notice. Date Created: 06/29/2018



DASH NO.	"C"	"AG"	"BV"	DRAWING REVISION	REVISION BY	DATE	TOLERANCES UNLESS OTHERWISE SPECIFIED:	DRAWN BY	 Regal Beloit America, Inc.		
656	11.95[303.53]	9.82[249.42]	5.82[147.82]	J	A. KEETHA	01-23-2018	DEC. ±0.1 [±2.5]	SMC			
706	12.45[316.23]	10.32[262.12]	6.32[160.52]	ECO	APPROVED BY PST	DATE 04/11/2018	.X ±0.03 [±0.76]	DATE 08-14-1991			
756	12.95[328.93]	10.82[274.82]	6.82[173.22]	ECO DESCRIPTION			.XXX ±0.005 [±0.127]	APPROVED BY GK			
806	13.45[341.63]	11.32[287.52]	7.32[185.92]	OUTLINE CONVERSION PROJECT COPYRIGHT REGAL BELOIT AMERICA, INC. ALL RIGHTS RESERVED. PROPRIETARY AND CONFIDENTIAL INFORMATION - THIS DOCUMENT IS THE PROPERTY OF REGAL BELOIT AMERICA, INC. (OWNER) AND CONTAINS OWNER'S PROPRIETARY INFORMATION. ANY PERSON, CORPORATION OR OTHER FIRM RECEIVING IT IS DEEMED, BY RECEIVING IT, TO AGREE THAT IT, AND/OR ANY PART OF IT, SHALL NOT BE DISCLOSED TO ANY PERSON, CORPORATION OR OTHER ENTITY, DUPLICATED, AND/OR USED, EXCEPT AS EXPRESSLY APPROVED IN WRITING IN ADVANCE BY OWNER. THIS DOCUMENT SHALL BE RETURNED TO OWNER UPON REQUEST. IT MAY BE SUBJECT TO CERTAIN RESTRICTIONS UNDER APPLICABLE EXPORT CONTROL LAWS AND REGULATIONS.			DATE 08-14-1991	DESCRIPTION OUTLINE 140 FRAME-TEFC 3Ø			
856	13.95[354.33]	11.82[300.22]	7.82[198.62]				.XXXX ±0.0005 [±0.0127]		REFERENCE 100105		
906	14.45[367.03]	12.32[312.92]	8.32[211.32]				REMOVE BURRS & BREAK SHARP EDGES: .003/.015 [0.076/.381] X 45°		MATERIAL		
956	14.95[379.73]	12.82[325.62]	8.82[224.02]				CORNER FILLETS: R.02 [51]		PROCESS/FINISH		
							MACHINED SURFACES: 200 INCH 5.1 mm	THIRD ANGLE PROJECTION	SIZE B	DRAWING NUMBER 100105	SHEET 1 OF 1

EE7308

THREE PHASE
DUAL VOLTAGE MOTOR



VIEW OF TERMINAL END

REF.
WINDING DIAGRAM

T8Y, T2Y, T2BL, T4BX, T2EC, T2G
T6BZ, T2B, T6BL, T4AV, T6B, T4B

OPTIONAL CORD
CONNECTION

L1 — WHITE
L2 — RED
L3 — BLACK

NO.	REVISION	BY & DATE	CHK	ANG	TOLERANCES UNLESS SPECIFIED		FINISH	DRAWN RM 11/20/1990				
					DEC.	INCHES						
5	CHG TO REGAL LOGO	SL 09/10/2015	AB					CHK ML 11/21/1990				
4	REVISED IEC NOTATIONS	MSG 11/15/2011	CMN	.X	±.1			APPD SAS 04/24/2003				
3	ADDED IEC NOTATIONS... (U1), (V1) ETC. MU95194	MSG 5/10/2010	MJS	.XX	±.02			SCALE 1=1				
2	ADDED THE OPTIONAL CORD CONNECTION MU46318	RDH 04/24/2003	DRS	.XXX	±.005		TITLE CONNECTION DIAGRAM 3Ø - DUAL VOLTAGE MOTOR	REF				
1	REDRAWN	RM 11/20/1990		.XXXX	±.0005		MAT'L.	FMF				
					±7'30"			PREV				
THIS DRAWING IN DESIGN AND DETAIL IS OUR PROPERTY AND MUST NOT BE USED EXCEPT IN CONNECTION WITH OUR WORK ALL RIGHTS OF DESIGN AND INVENTION ARE RESERVED THIS IS AN ELECTRONICALLY GENERATED DOCUMENT - DO NOT SCALE THIS PRINT							RFP	CAD FILE ee7308	SIZE A	DRAWING NO. EE7308	PAGE OF 5	REV. 5
							DIST WP					



CERTIFICATION DATA SHEET

Model#: 143TTFR16017 AA **WINDING#:** ZT2141 R1 1
CONN. DIAGRAM: EE7308 **ASSEMBLY:** F1 ONLY
OUTLINE: A-100105-806

TYPICAL MOTOR PERFORMANCE DATA

HP	KW	SYNC. RPM	F.L. RPM	FRAME	ENCLOSURE	KVA CODE	DESIGN
1 1/2&1	1.12&0.75	3600	3515&2935	143TC	TEFC	M	B

PH	Hz	VOLTS	FL AMPS	START TYPE	DUTY	INSL	S.F	AMB°C	ELEVATION
3	60/50	230/460#190/ 380	4/2&3.4/1.7	ACROSS THE LINE	CONTINUOU S	F3	1.15/1.15	40	3300

FULL LOAD EFF: 84&85.5	3/4 LOAD EFF: 84.8	1/2 LOAD EFF: 82.3	GTD. EFF	ELEC. TYPE	NO LOAD AMPS
FULL LOAD PF: 83.5&79	3/4 LOAD PF: 77.8	1/2 LOAD PF: 67.2	82.5	SQ CAGE IND RUN	1.8 / .9

F.L. TORQUE	LOCKED ROTOR AMPS	L.R. TORQUE	B.D. TORQUE	F.L. RISE°C
2.2 LB-FT	38.8 / 19.4	7.3 LB-FT 332	9.6 LB-FT 435	38

SOUND PRESSURE @ 3 FT.	SOUND POWER	ROTOR WK^2	MAX. WK^2	SAFE STALL TIME	STARTS /HOUR	APPROX. MOTOR WGT
69 dBA	79 dBA	0.045 LB-FT^2	3 LB-FT^2	20 SEC.	2	55 LBS.

***** SUPPLEMENTAL INFORMATION *****

DE BRACKET TYPE	ODE BRACKET TYPE	MOUNT TYPE	ORIENTATION	SEVERE DUTY	HAZARDOUS LOCATION	DRIP COVER	SCREENS	PAINT
C-FACE	STANDARD	ROUND	HORIZONTAL	FALSE	NONE	FALSE	NONE	BLUE (POWDER)

BEARINGS		GREASE	SHAFT TYPE	SPECIAL DE	SPECIAL ODE	SHAFT MATERIAL	FRAME MATERIAL
DE	OPE						
BALL	BALL	POLYREX EM	T	NONE	NONE	1144 STRESSPROOF (C-223)	ROLLED STEEL
6205	6203						

THERMO-PROTECTORS				THERMISTORS	CONTROL	SPACE /n HEATERS
THERMOSTATS	PROTECTORS	WDG RTDs	BRG RTDs			
NONE	NOT	NONE	NONE	NONE	FALSE	NONE VOLTS

If Inverter equals NONE, contact factory for further information

*
N
O
T
E
S
*

INVERTER TORQUE: NONE
INV. HP SPEED RANGE: NONE
ENCODER: NONE
NONE NONE
NONE NONE PPR
BRAKE: NONE NONE
NONE P/N NONE
NONE NONE
NONE FT-LB NONE V NONE Hz

DATE: 06/23/2017 12:00:58 AM
 FORM 3531 REV.3 02/07/99
 ** Subject to change without notice.

Data Sheet

Date: 6/20/2017

143TFR16017

Customer:



Submittal

Attention:

FAREEDA DUDEKULA

Data @ 460 V

Submitted by:

Motor Load Data

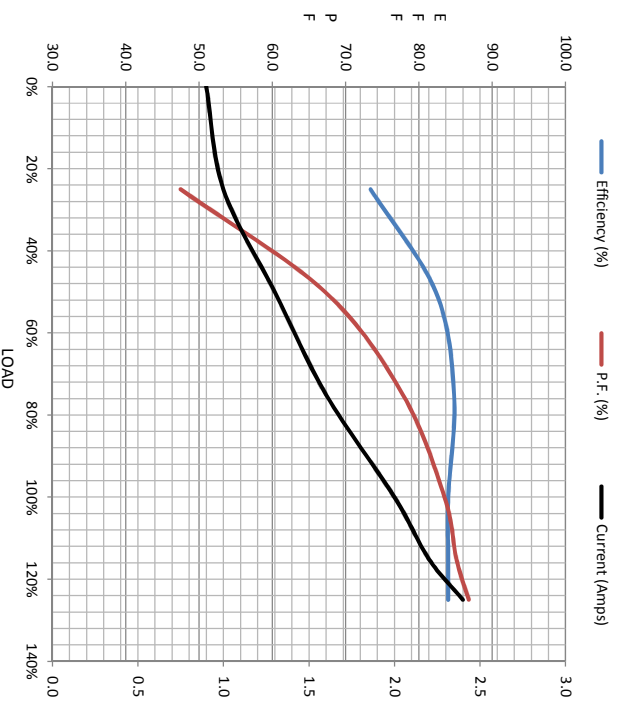
Load	0%	25%	50%	75%	100%	115%	125%	LR
Current (Amps)	0.90	1.00	1.30	1.60	2.00	2.20	2.40	19.4
Torque (ft-lb)	0.00	0.60	1.10	1.70	2.20	2.60	2.80	7.3
RPM	3600	3575	3555	3535	3515	3500	3485	0
Efficiency (%)		73.4	82.3	84.8	84.0	84.0	84.0	
P.F. (%)	17.0	47.5	67.2	77.8	83.5	85.1	86.8	58.0

Motor Speed Data

	LR	Pull-Up	BD	Rated	Idle
Speed (rpm)	0	650	2815	3515	3600
Current (Amps)	19.4	18.6	12.1	2.00	0.90
Torque (ft-lb)	7.3	6.1	9.6	2.20	0.00

Information Block

HP	1.5			
Sync. RPM	3600			
Frame	143			
Enclosure	TEFC			
Construction	TFR			
Voltage	30/460#190/38 V			
Frequency	60 HZ			
Design	A			
LR Code letter	M			
Service Factor	1.15			
Temp Rise @ FL	38 °C			
Duty	CONT			
Ambient	40 °C			
Elevation	1,000 feet			
Rotor/Shaft wkt	0.05 Lb-Fe			
Ref Wdg	ZT2141 R1			
Sound Pressure @ 1M	69 dBA			
VFD Rating	NONE			
Outline Dwg	A-100105-806			
Conn. Diag	EE7308			
Additional Specifications:				
0				
EQUIV CKT (OHMS / PHASE)				
R1	R2	X1	X2	Xm
1.4190	0.9460	2.3180	2.1290	79.9370



Speed - Torque Curve

