

PRODUCT INFORMATION PACKET

Model No: 143TTFR5376
Catalog No: H700
3/4, 1200, TEFC, 143T, 3/60/208-230/460
Totally Enclosed Fan Cooled (TEFC)



Regal and Marathon are trademarks of Regal Beloit Corporation or one of its affiliated companies.
©2018 Regal Beloit Corporation, All Rights Reserved. MC017097E



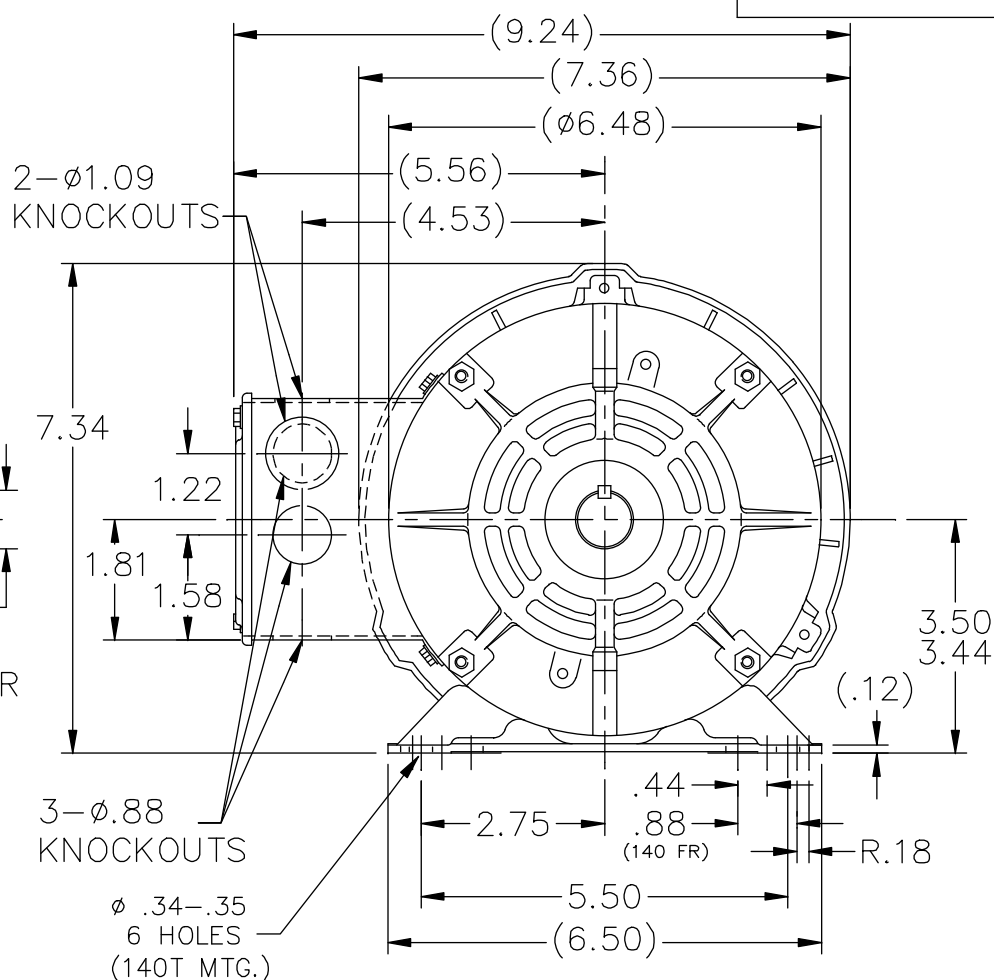
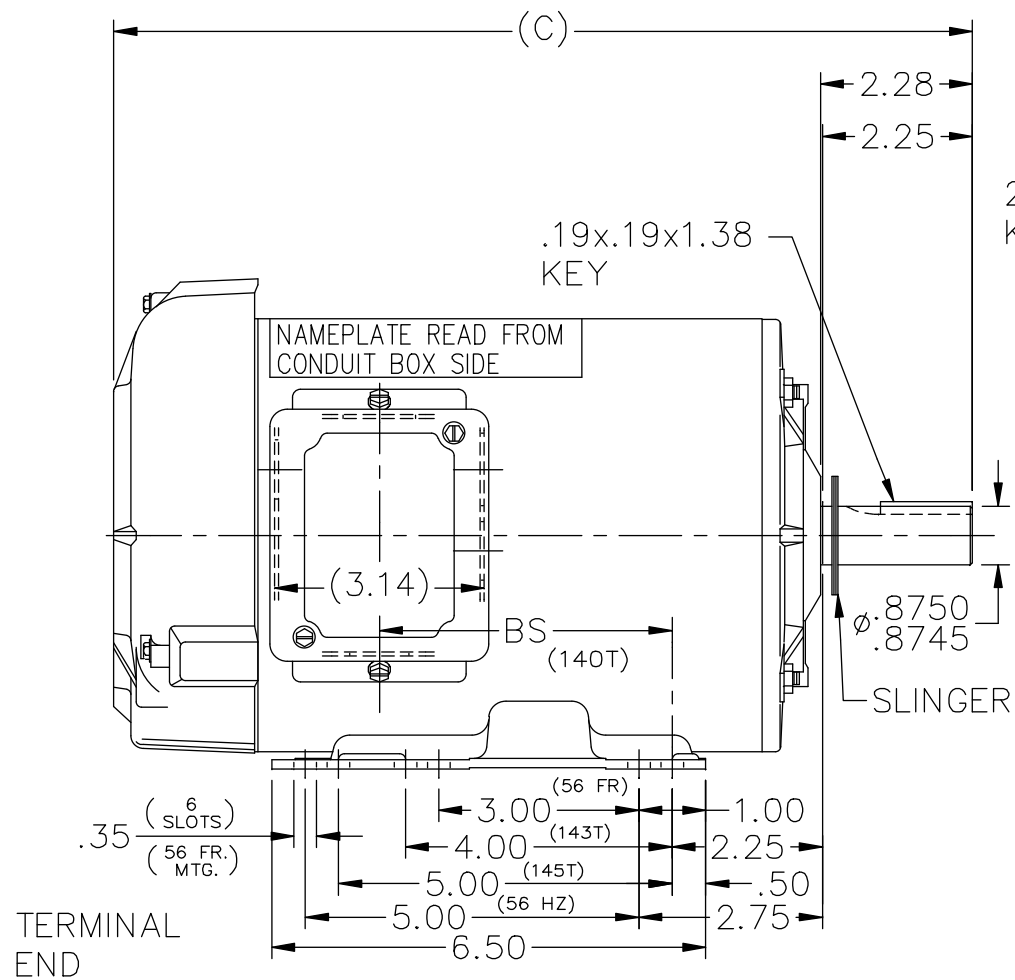
Nameplate Specifications

Output HP	0.75 Hp	Output KW	0.56 kW
Frequency	60 Hz	Voltage	208-230/460 V
Current	3.2-3.2/1.6 A	Speed	1145 rpm
Service Factor	1.15	Phase	3
Efficiency	74 %	Duty	Continuous
Insulation Class	B	Design Code	B
KVA Code	K	Frame	143T
Enclosure	Totally Enclosed Fan Cooled	Overload Protector	No
Ambient Temperature	40 °C	Drive End Bearing Size	6205
Opp Drive End Bearing Size	6203	UL	Recognized
CSA	Y	CE	Y
IP Code	43		

Technical Specifications

Electrical Type	Squirrel Cage Induction Run	Starting Method	Across The Line
Poles	6	Rotation	Reversible
Mounting	Rigid base	Motor Orientation	Horizontal
Drive End Bearing	Ball	Opp Drive End Bearing	Ball
Frame Material	Rolled Steel	Shaft Type	T
Overall Length	12.37 in	Frame Length	7.06 in
Shaft Diameter	0.875 in	Shaft Extension	2.28 in
Assembly/Box Mounting	F1 Only		
Outline Drawing	A-100088-706	Connection Diagram	A-EE7308

This is an uncontrolled document once printed or downloaded and is subject to change without notice. Date Created: 06/29/2018



DASH	FR.	C	BS	DASH	FR.	C	BS
706	140T-56HZ	12.37	3.93	856	140T-56HZ	13.87	5.43
756	140T-56HZ	12.87	4.43	906	140T-56HZ	14.37	5.93
806	140T-56HZ	13.37	4.93	956	140T-56HZ	14.87	6.43

NOTE:
1. CONDUIT BOX CAN BE ROTATED IN 180° STEPS

		TOLERANCES UNLESS SPECIFIED		DRAWN DA 08-21-1999		
		DEC.	INCHES	CHK ML 08-26-1991		
		.X	±.1	APPD GK 08-26-1991		
6	REDRAWN IN AUTOCAD	TAT	06-29-2004	ML	.XX ±.03	
5	ADDED 'C' DIM. FOR DASH 956	CN	29200-160	TJB	02-15-2000	SCALE 11=32
4	REDRAWN ON CADD	DA	08-21-1991		.XXX ±.005	REF
NO.	REVISION	BY & DATE	CHK	ANG	±7'30"	FMF
THIS DRAWING IN DESIGN AND DETAIL IS OUR PROPERTY AND MUST NOT BE USED EXCEPT IN CONNECTION WITH OUR WORK ALL RIGHTS OF DESIGN AND INVENTION ARE RESERVED THIS IS AN ELECTRONICALLY GENERATED DOCUMENT - DO NOT SCALE THIS PRINT		RFP	CAD FILE 100088		SIZE A	DRAWING NO. 100088
		DIST	WP			PAGE OF 6



TITLE OUTLINE
140T FR. - 56 HZ - TEFC
MAT'L.
FINISH

EE7308

THREE PHASE
DUAL VOLTAGE MOTOR



VIEW OF TERMINAL END

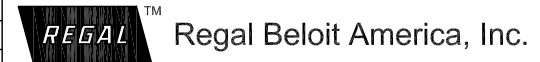
REF.
WINDING DIAGRAM

T8Y, T2Y, T2BL, T4BX, T2EC, T2G
T6BZ, T2B, T6BL, T4AV, T6B, T4B

OPTIONAL CORD
CONNECTION

L1 — WHITE
L2 — RED
L3 — BLACK

NO.	REVISION	BY & DATE	CHK	ANG	TOLERANCES UNLESS SPECIFIED	FINISH	PREV
5	CHG TO REGAL LOGO	SL 09/10/2015	AB	DEC.	INCHES		
4	REVISED IEC NOTATIONS	MSG 11/15/2011	CMN	.X	±.1		
3	ADDED IEC NOTATIONS... (U1), (V1) ETC. MU95194	MSG 5/10/2010	MJS	.XX	±.02		
2	ADDED THE OPTIONAL CORD CONNECTION MU46318	RDH 04/24/2003	DRS	.XXX	±.005		
1	REDRAWN	RM 11/20/1990		.XXXX	±.0005		
					±7'30"		
THIS DRAWING IN DESIGN AND DETAIL IS OUR PROPERTY AND MUST NOT BE USED EXCEPT IN CONNECTION WITH OUR WORK ALL RIGHTS OF DESIGN AND INVENTION ARE RESERVED THIS IS AN ELECTRONICALLY GENERATED DOCUMENT - DO NOT SCALE THIS PRINT						RFP	
						DIST WP	
						CAD FILE ee7308	
						SIZE A	
						DRAWING NO. EE7308	
						PAGE OF 5	
						REV. 5	



TITLE CONNECTION DIAGRAM
3Ø - DUAL VOLTAGE MOTOR

DRAWN RM 11/20/1990
CHK ML 11/21/1990
APPD SAS 04/24/2003
SCALE 1=1
REF
FMF
PREV

CERTIFICATION DATA SHEET

Model#: 143TTFR5376 AE WINDING#: ZT607 FR 3
 CONN. DIAGRAM: A-EE7308 ASSEMBLY: F1 ONLY
 OUTLINE: A-100088-706

TYPICAL MOTOR PERFORMANCE DATA

HP	KW	SYNC. RPM	F.L. RPM	FRAME	ENCLOSURE	KVA CODE	DESIGN
3/4&1/2	.56&.37	1200	1145&970	143T	TEFC	K	B

PH	Hz	VOLTS	FL AMPS	START TYPE	DUTY	INSL	S.F	AMB°C	ELEVATION
3	60/50	208- 230/460#190/ 380	3.2- 3.2/1.6&3/1.5	ACROSS THE LINE	CONTINUOU S	B3	1.15/1.15	40	3300

FULL LOAD EFF: 74&73.5	3/4 LOAD EFF: 74	1/2 LOAD EFF: 68	GTD. EFF	ELEC. TYPE	NO LOAD AMPS
FULL LOAD PF: 59.1&52	3/4 LOAD PF: 49	1/2 LOAD PF: 37	70	SQ CAGE IND RUN	2.5 / 1.3

F.L. TORQUE	LOCKED ROTOR AMPS	L.R. TORQUE	B.D. TORQUE	F.L. RISE°C
3.4 LB-FT	17 / 8.5	8.8 LB-FT 259	12.5 LB-FT 368	65

SOUND PRESSURE @ 3 FT.	SOUND POWER	ROTOR WK^2	MAX. WK^2	SAFE STALL TIME	STARTS /HOUR	APPROX. MOTOR WGT
62 dBA	72 dBA	0.06 LB-FT^2	15 LB-FT^2	15 SEC.	2	29 LBS.

*** SUPPLEMENTAL INFORMATION ***

DE BRACKET TYPE	ODE BRACKET TYPE	MOUNT TYPE	ORIENTATION	SEVERE DUTY	HAZARDOUS LOCATION	DRIP COVER	SCREENS	PAINT
STANDARD	BRAKE	RIGID	HORIZONTAL	FALSE	NONE	FALSE	NONE	GRAY (POWDER)

BEARINGS		GREASE	SHAFT TYPE	SPECIAL DE	SPECIAL ODE	SHAFT MATERIAL	FRAME MATERIAL
DE	OPE						
BALL	BALL	POLYREX EM	T	NONE	NONE	1144 STRESSPROOF (C-223)	ROLLED STEEL
6205	6203						

THERMO-PROTECTORS				THERMISTORS	CONTROL	SPACE /n HEATERS
THERMOSTATS	PROTECTORS	WDG RTDs	BRG RTDs			
NONE	NOT	NONE	NONE	NONE	FALSE	NONE VOLTS

If Inverter equals NONE, contact factory for further information

*
N
O
T
E
S
*

INVERTER TORQUE: NONE
INV. HP SPEED RANGE: NONE
ENCODER: NONE
NONE NONE
NONE NONE PPR
BRAKE: PROVISIONS FOR KIT NONE
NONE P/N NONE
NONE NONE
NONE FT-LB NONE V NONE Hz

** Subject to change without notice.

Data Sheet

Date: 29-06-2017
 Customer: _____
 Attention: _____
 Submitted by: FAREEDA DUDEKULA



143TTFR5376

Submittal

Data @ 460 V

Motor Load Data

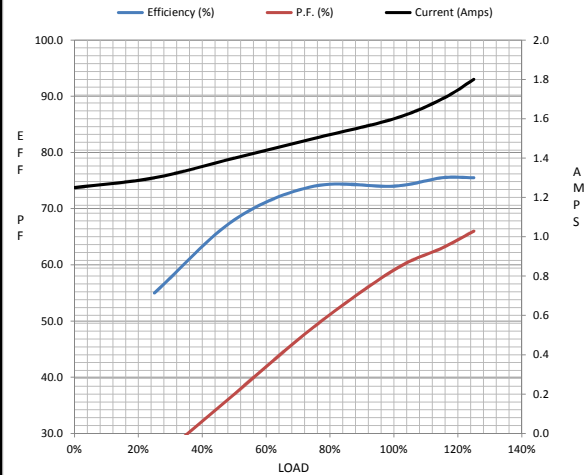
Load	0%	25%	50%	75%	100%	115%	125%	LR
Current (Amps)	1.25	1.30	1.40	1.50	1.60	1.70	1.80	8.5
Torque (ft-lb)	0.00	0.84	1.70	2.50	3.4	4.0	4.6	8.8
RPM	1200	1190	1180	1165	1145	1,140	1135	0
Efficiency (%)		55.0	68.0	74.0	74.0	75.5	75.5	
P.F. (%)	10.5	25.0	37.0	49.0	59.1	63.0	66.0	68.0

Motor Speed Data

	LR	Pull-Up	BD	Rated	Idle
Speed (RPM)	0	600	1050	1145	1200
Current (Amps)	8.5	7.7	6.0	1.60	1.25
Torque (ft-lb)	8.8	7.9	12.5	3.4	0.00

Information Block

HP	0.8			
Sync. RPM	1200			
Frame	143			
Enclosure	TEFC			
Construction	TFR			
Voltage	3-230/460#190/3V			
Frequency	60 Hz			
Design	B			
LR Code letter	K			
Service Factor	1.15			
Temp Rise @ FL	65 ° C			
Duty	CONT			
Ambient	40 ° C			
Elevation	1,000 feet			
Rotor/Shaft wk ²	0.06 Lb-Ft ²			
Ref Wdg	ZT607 FR			
Sound Pressure @ 1M	62 dBA			
VFD Rating	NONE			
Outline Dwg	A-100088-706			
Conn. Diag	A-EE7308			
Additional Specifications:				
0				
365THFS8036				
EQUIV CKT (OHMS / PHASE)				
R1	R2	X1	X2	Xm
16.2540	10.9620	18.4460	19.0890	207.9000



Speed -Torque Curve

