

PRODUCT INFORMATION PACKET

Model No: 143TTTN6526
Catalog No: E649
1,1725,TENV,143T,3/60/460
Severe Duty



Regal and Marathon are trademarks of Regal Beloit Corporation or one of its affiliated companies.
©2018 Regal Beloit Corporation, All Rights Reserved. MC017097E



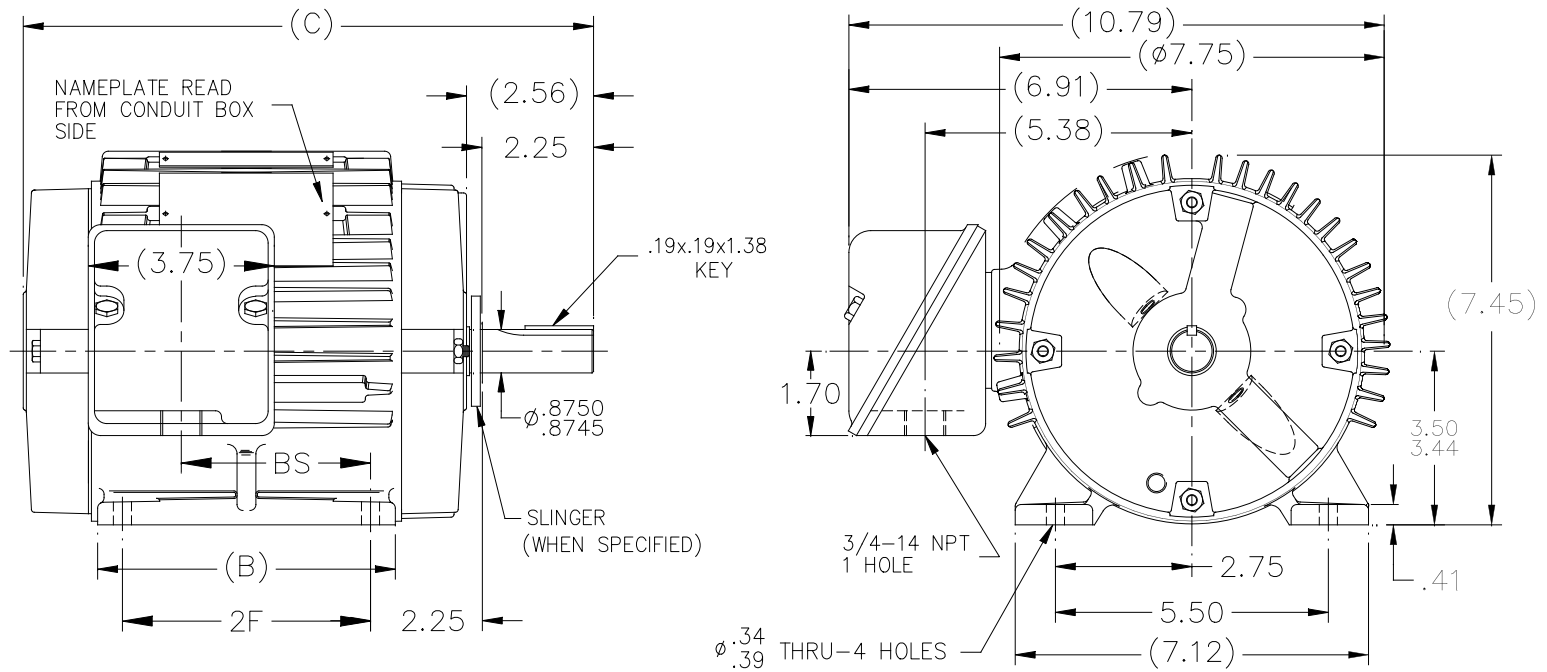
Nameplate Specifications

Output HP	1 Hp	Output KW	0.75 kW
Frequency	60 Hz	Voltage	460 V
Current	1.5 A	Speed	1735 rpm
Service Factor	1.15	Phase	3
Efficiency	85.5 %	Duty	Continuous
Insulation Class	F	Design Code	B
KVA Code	M	Frame	143T
Enclosure	Totally Enclosed Non Ventilated	Overload Protector	No
Ambient Temperature	40 °C	Drive End Bearing Size	6205
Opp Drive End Bearing Size	6203	UL	Recognized
CSA	Y	CE	Y
IP Code	54		

Technical Specifications

Electrical Type	Squirrel Cage Inverter Rated	Starting Method	Line Or Inverter
Poles	4	Rotation	Reversible
Mounting	Rigid base	Motor Orientation	Horizontal
Drive End Bearing	Ball	Opp Drive End Bearing	Ball
Frame Material	Cast Iron	Shaft Type	T
Overall Length	10.43 in	Frame Length	5.25 in
Shaft Diameter	0.875 in	Shaft Extension	2.56 in
Assembly/Box Mounting	F1/F2 Capable		
Outline Drawing	A-100658-525	Connection Diagram	A-EE7300

This is an uncontrolled document once printed or downloaded and is subject to change without notice. Date Created: 06/29/2018



- NOTES:
 1- BOX CAN BE ROTATED IN 90° STEPS.
 2- BOX CAN BE MOUNTED ON OPPOSITE SIDE BY REMOVING BRACKETS AND TURNING FRAME 180°.
 3- FRONT GREASE HOLE LOCATIONS SHOWN WITH HIDDEN LINES.

DASH	FR.	B	C	BS	2F
525	143T	5.00	10.43	2.81	4.00
625	145T	6.00	11.43	3.81	5.00

8	ADDED SLINGER NOTE PER ECO-0105576	KK	7/8/16	KK	TOLERANCES UNLESS SPECIFIED	<p>TITLE OUTLINE 140T FR. - BB - TS - TENV MAT'L. FINISH</p>	DRAWN	RM	10/27/1992	
7	ADDED SLINGER MU47250	RDH	07/01/2003		DEC. INCHES		CHK	ML	10/28/1992	
6	TENV IN PART NAME WAS TEFC CN 27400-20	MRB	01/19/1999	.X	$\pm .1$		APPD	JA	11/02/1992	
5	REF. 2.56 WAS STANDARD DIM. CN 23975-2	MH	02/13/1997	.XX	$\pm .03$		SCALE		5=16	
4	ADDED NEMAL '0' DIM.	MRB	09/12/1996	.XXX	$\pm .005$		REF			
3	ADDED GREASE HOLE LOCATIONS	RM	06/15/1993	.XXXX	$\pm .0005$	FMF				
NO.	REVISION	BY & DATE		CHK	ANG	$\pm 7'30''$	PREV			
THIS DRAWING IN DESIGN AND DETAIL IS OUR PROPERTY AND MUST NOT BE USED EXCEPT IN CONNECTION WITH OUR WORK ALL RIGHTS OF DESIGN AND INVENTION ARE RESERVED THIS IS AN ELECTRONICALLY GENERATED DOCUMENT - DO NOT SCALE THIS PRINT						RFP	CAD FILE 100658			
						DIST	WP	SIZE	A	
						DRAWING NO.		100658	PAGE OF	8
						REV.				

**THREE PHASE - SINGLE VOLTAGE
MOTOR - CONDUIT BOX @ 'A'**

**TO REVERSE ROTATION:
INTERCHANGE ANY TWO
LINE LEAD CONNECTIONS.**

TERMINAL BLOCK WHEN SPECIFIED



VIEW OF TERMINAL END

**IF MOTOR HAS
6 LEADS**



A-9806 DECAL

**OPTIONAL CORD
CONNECTION**

- L1 _____ WHITE
- L2 _____ RED
- L3 _____ BLACK

DRAWING REVISION AB	REVISION BY JJB	DATE 06-27-2017
ECO ECO-0125361	APPROVED BY TB	DATE 06-27-2017
ECO DESCRIPTION UPDATED TO CURRENT STANDARDS		
<small>COPYRIGHT REGAL BELOIT AMERICA, INC. ALL RIGHTS RESERVED. PROPRIETARY AND CONFIDENTIAL INFORMATION - THIS DOCUMENT IS THE PROPERTY OF REGAL BELOIT AMERICA, INC. ("OWNER") AND CONTAINS OWNER'S PROPRIETARY INFORMATION. ANY PERSON, CORPORATION OR OTHER FIRM RECEIVING IT IS DEEMED, BY RECEIVING IT, TO AGREE THAT IT, AND/OR ANY PART OF IT, SHALL NOT BE DISCLOSED TO ANY PERSON, CORPORATION OR OTHER ENTITY, DUPLICATED, AND/OR USED, EXCEPT AS EXPRESSLY APPROVED IN WRITING IN ADVANCE BY OWNER. THIS DOCUMENT SHALL BE RETURNED TO OWNER UPON REQUEST. IT MAY BE SUBJECT TO CERTAIN RESTRICTIONS UNDER APPLICABLE EXPORT CONTROL LAWS AND REGULATIONS.</small>		



DRAWN BY DA
DATE 03-26-1993
APPROVED BY TB
DATE 03-26-1993
REFERENCE
THIRD ANGLE PROJECTION

Regal Beloit America, Inc.		
		DESCRIPTION CONNECTION DIAGRAM EXTERNAL - SINGLE VOLTAGE - 3Ø MOTOR
MATERIAL	PROCESS/FINISH	
SIZE A	DRAWING NUMBER EE7300	SHEET 1 OF 1

CERTIFICATION DATA SHEET

Model#: 143TTTNG6526 BA WINDING#: ZT492 TS 6
 CONN. DIAGRAM: A-EE7300 ASSEMBLY: F1/F2 CAPABLE
 OUTLINE: A-100658-525

TYPICAL MOTOR PERFORMANCE DATA

HP	KW	SYNC. RPM	F.L. RPM	FRAME	ENCLOSURE	KVA CODE	DESIGN		
1	.75	1800	1735	143T	TENV	M	B		
PH	Hz	VOLTS	FL AMPS	START TYPE	DUTY	INSL	S.F	AMB°C	ELEVATION
3	60	460	1.5	LINE OR INVERTER	CONTINUOUS	F3	1.15	40	3300
FULL LOAD EFF: 85.5	3/4 LOAD EFF: 85.5	1/2 LOAD EFF: 84	GTD. EFF	ELEC. TYPE	NO LOAD AMPS				
FULL LOAD PF: 72	3/4 LOAD PF: 67	1/2 LOAD PF: 53.5	82.5	SQ CAGE INV RATED	.9				
F.L. TORQUE	LOCKED ROTOR AMPS	L.R. TORQUE	B.D. TORQUE	F.L. RISE°C					
3 LB-FT	13.5	11 LB-FT 367	14 LB-FT 467	50					
SOUND PRESSURE @ 3 FT.	SOUND POWER	ROTOR WK^2	MAX. WK^2	SAFE STALL TIME	STARTS /HOUR	APPROX. MOTOR WGT			
62 dBA	72 dBA	0.1 LB-FT^2	7 LB-FT^2	20 SEC.	2	55 LBS.			

***** SUPPLEMENTAL INFORMATION *****

DE BRACKET TYPE	ODE BRACKET TYPE	MOUNT TYPE	ORIENTATION	SEVERE DUTY	HAZARDOUS LOCATION	DRIP COVER	SCREENS	PAIN
STANDARD	STANDARD	RIGID	HORIZONTAL	PREMIUM SEVERE DUTY	DIVISION 2 T2B	FALSE	NONE	BLUE (POWDER)

BEARINGS		GREASE	SHAFT TYPE	SPECIAL DE	SPECIAL ODE	SHAFT MATERIAL	FRAME MATERIAL
DE	OPE						
BALL	BALL						
6205	6203	POLYREX EM	T	NONE	NONE	1144 STRESSPROOF (C-223)	CAST IRON

THERMO-PROTECTORS				THERMISTORS	CONTROL	SPACE /n HEATERS
THERMOSTATS	PROTECTORS	WDG RTDs	BRG RTDs			
NONE	NOT	NONE	NONE	NONE	FALSE	NONE VOLTS

If Inverter equals NONE, contact factory for further information

*
N
O
T
E
S
*

INVERTER TORQUE: CONSTANT 10:1
INV. HP SPEED RANGE: 1.5 X BASE SPEED
ENCODER: NONE
NONE NONE
NONE NONE PPR
BRAKE: NONE NONE
NONE P/N NONE
NONE NONE
NONE FT-LB NONE V NONE Hz

DATE: 06/23/2017 12:48:58 AM
 FORM 3531 REV.3 02/07/99
 ** Subject to change without notice.

Data Sheet

1437TTN6526



Submittal
Data @ 460 V

Date: 6/29/2017

Customer: _____
Attention: _____
Submitted by: FAREEDA DUDEKULA

Motor Load Data

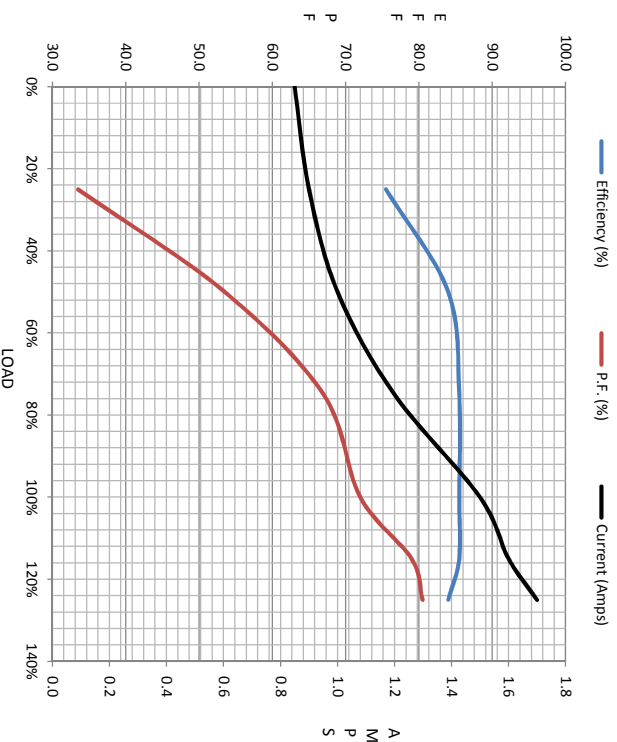
Load	0%	25%	50%	75%	100%	115%	125%	LR
Current (Amps)	0.95	0.90	1.00	1.20	1.50	1.60	1.70	13.5
Torque (ft-lb)	0.00	0.74	1.50	2.20	3.0	3.5	3.8	11.0
RPM	1800	1785	1770	1755	1735	1,790	1725	0
Efficiency (%)		75.5	84.0	85.5	85.5	85.5	84.0	
P.F. (%)	10.0	33.5	53.5	67.0	72.0	79.0	80.5	67.0

Motor Speed Data

	LR	Pull-Up	BD	Rated	Idle
Speed (rpm)	0	900	1600	1735	1800
Current (Amps)	13.5	12.1	9.0	1.50	0.85
Torque (ft-lb)	11.0	9.9	14.0	3.0	0.00

Information Block

HP	1.0			
Sync. RPM	1800			
Frame	143			
Enclosure	TENV			
Construction	TTN			
Voltage	460 V			
Frequency	60 HZ			
Design	A			
LR Code letter	M			
Service Factor	1.15			
Temp Rise @ FL	55 °C			
Duty	CONT			
Ambient	40 °C			
Elevation	1,000 feet			
Rotor/Shaft wkt	0.10 Lb-Fe			
Rel Wdg	Z1492 TS			
Sound Pressure @ 1M	62 dBA			
VFD Rating	CONSTANT 10:1			
Outline Dwg	A-100658-525			
Conn. Diag	A-EE7300			
Additional Specifications:				
0				
EQUIV CKT (OHMS/ PHASE)				
R1	R2	X1	X2	Xm
7.9610	5.4770	11.6360	10.3590	300.8280



Speed -Torque Curve

