

PRODUCT INFORMATION PACKET

Model No: 145THTN19058
Catalog No: W513A
2,1800,TENV,145T,3/60/460
Severe Duty



Regal and Marathon are trademarks of Regal Beloit Corporation or one of its affiliated companies.
©2018 Regal Beloit Corporation, All Rights Reserved. MC017097E



Nameplate Specifications

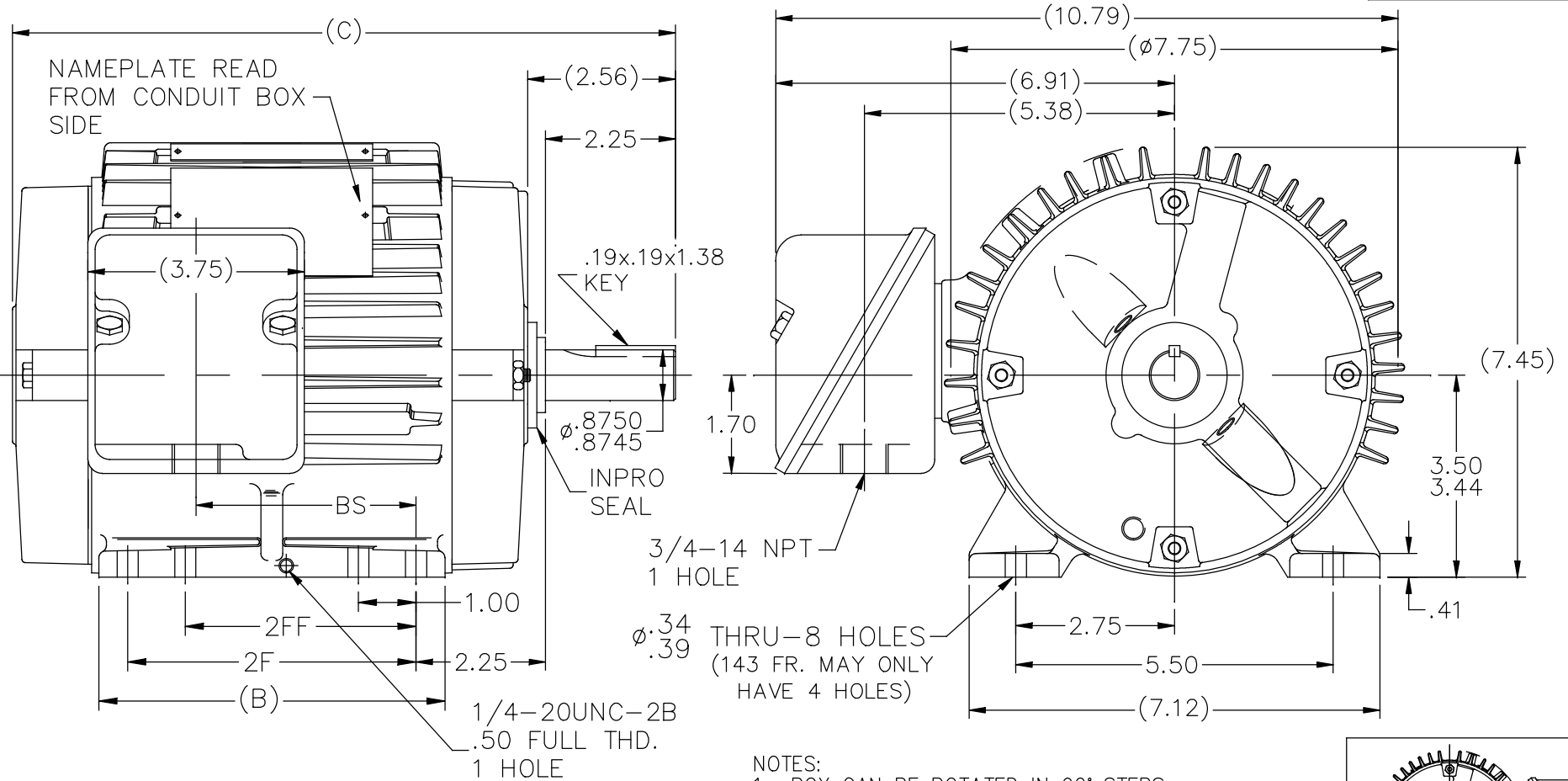
Output HP	2 Hp	Output KW	1.5 kW
Frequency	60 Hz	Voltage	460 V
Current	3.0 A	Speed	1740 rpm
Service Factor	1.15	Phase	3
Efficiency	86.5 %	Duty	Continuous
Insulation Class	F	Design Code	B
KVA Code	N	Frame	145T
Enclosure	Totally Enclosed Non Ventilated	Overload Protector	No
Ambient Temperature	40 °C	Drive End Bearing Size	6205
Opp Drive End Bearing Size	6203	UL	Recognized
CSA	Y	CE	Y
IP Code	56		

Technical Specifications

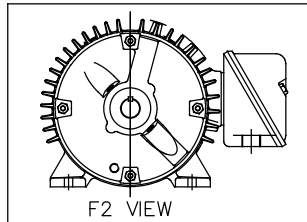
Electrical Type	Squirrel Cage Inverter Rated	Starting Method	Line Or Inverter
Poles	4	Rotation	Reversible
Mounting	Rigid base	Motor Orientation	Horizontal
Drive End Bearing	Ball	Opp Drive End Bearing	Ball
Frame Material	Cast Iron	Shaft Type	T
Overall Length	11.43 in	Frame Length	6.25 in
Shaft Diameter	0.875 in	Shaft Extension	2.56 in
Assembly/Box Mounting	F1/F2 Capable		
Outline Drawing	A-104326-625	Connection Diagram	EE7300

This is an uncontrolled document once printed or downloaded and is subject to change without notice. Date Created: 06/29/2018

104326



- NOTES:
- 1- BOX CAN BE ROTATED IN 90° STEPS.
 - 2- BOX CAN BE MOUNTED ON OPPOSITE SIDE BY REMOVING BRACKETS AND TURNING FRAME 180°.
 - 3- FRONT GREASE HOLE LOCATIONS SHOWN WITH HIDDEN LINES.



DASH	FR.	B	C	BS	2F	2FF
525	143T	5.00	10.43	2.81	4.00	-
625	145T	6.00	11.43	3.81	5.00	4.00

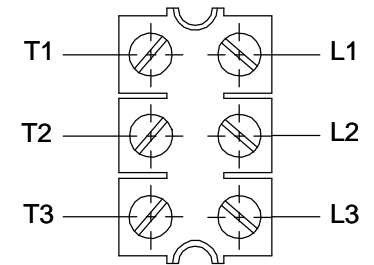
NO.	REVISION	BY & DATE	CHK	ANG	TOLERANCES UNLESS SPECIFIED		FINISH	DRAWN PGK 06-24-1997
					DEC.	INCHES		
8	UPDATED SHAFT EXTENSION	MVG 05/19/2017	PVR					CHK ML 06-27-1997
7	UPDATED F2 VIEW AND LOGO	SL 04/21/2016						APPD SAT 07-10-1997
6	ADDED F2 VIEW	UD 11/22/13		.X	±.1			SCALE 3=8
5	UPDATED PER ECO-0031264	PN 03-07-2013	ML	.XX	±.03		TITLE OUTLINE	REF
4	CHG'D TO HAVE 8 MTG. HOLES, WAS 4 CN 29200-3715	TAT 08-31-2004	ML	.XXX	±.005		140T FR. - BB - TS - TENV - INPRO SEAL	FMF
3	REDRAWN IN AUTOCAD	TAT 06-29-2004		.XXXX	±.0005		MAT'L.	PREV
			RFP				CAD FILE 104326	SIZE A
			DIST	WP				DRAWING NO. 104326
								PAGE OF 8
								REV. 8

THIS DRAWING IN DESIGN AND DETAIL IS OUR PROPERTY AND MUST NOT BE USED EXCEPT IN CONNECTION WITH OUR WORK ALL RIGHTS OF DESIGN AND INVENTION ARE RESERVED THIS IS AN ELECTRONICALLY GENERATED DOCUMENT - DO NOT SCALE THIS PRINT

**THREE PHASE - SINGLE VOLTAGE
MOTOR - CONDUIT BOX @ 'A'**

**TO REVERSE ROTATION:
INTERCHANGE ANY TWO
LINE LEAD CONNECTIONS.**

TERMINAL BLOCK WHEN SPECIFIED



VIEW OF TERMINAL END

**IF MOTOR HAS
6 LEADS**

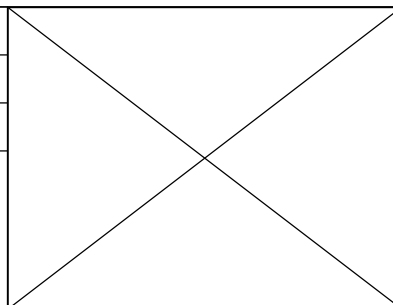


A-9806 DECAL

**OPTIONAL CORD
CONNECTION**

- L1 _____ WHITE
- L2 _____ RED
- L3 _____ BLACK

DRAWING REVISION AB	REVISION BY JJB	DATE 06-27-2017
ECO ECO-0125361	APPROVED BY TB	DATE 06-27-2017
ECO DESCRIPTION UPDATED TO CURRENT STANDARDS		
<small>COPYRIGHT REGAL BELOIT AMERICA, INC. ALL RIGHTS RESERVED. PROPRIETARY AND CONFIDENTIAL INFORMATION - THIS DOCUMENT IS THE PROPERTY OF REGAL BELOIT AMERICA, INC. ("OWNER") AND CONTAINS OWNER'S PROPRIETARY INFORMATION. ANY PERSON, CORPORATION OR OTHER FIRM RECEIVING IT IS DEEMED, BY RECEIVING IT, TO AGREE THAT IT, AND/OR ANY PART OF IT, SHALL NOT BE DISCLOSED TO ANY PERSON, CORPORATION OR OTHER ENTITY, DUPLICATED, AND/OR USED, EXCEPT AS EXPRESSLY APPROVED IN WRITING IN ADVANCE BY OWNER. THIS DOCUMENT SHALL BE RETURNED TO OWNER UPON REQUEST. IT MAY BE SUBJECT TO CERTAIN RESTRICTIONS UNDER APPLICABLE EXPORT CONTROL LAWS AND REGULATIONS.</small>		



DRAWN BY DA	Regal Beloit America, Inc.
DATE 03-26-1993	
APPROVED BY TB	DESCRIPTION CONNECTION DIAGRAM EXTERNAL - SINGLE VOLTAGE - 3Ø MOTOR
DATE 03-26-1993	MATERIAL
REFERENCE	PROCESS/FINISH
THIRD ANGLE PROJECTION	SIZE A
	DRAWING NUMBER EE7300
	SHEET 1 OF 1

Data Sheet

1451TIN19058



Submittal
Data @ 460 V

Date: 6/19/2017

Customer:
Attention:
Submitted by:

FAREEDA DUDEKULA

Motor Load Data

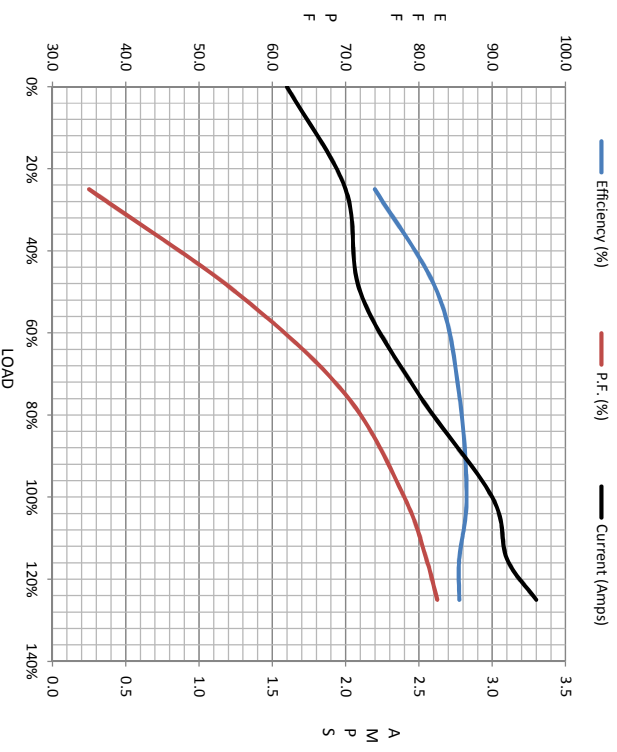
Load	0%	25%	50%	75%	100%	115%	125%	LR
Current (Amps)	1.60	2.00	2.10	2.50	3.0	3.1	3.3	30.0
Torque (ft-lb)	0.00	1.50	3.0	4.5	6.0	7.0	7.6	22.0
RPM	1800	1785	1775	1760	1740	1735	1730	0
P.F. (%)	9.5	74.0	82.5	85.5	86.5	85.5	85.5	
		35.0	55.0	70.0	78.0	81.0	82.5	61.0

Motor Speed Data

	LR	Pull-Up	BD	Rated	Idle
Speed (rpm)	0	900	1050	1740	1800
Current (Amps)	30.0	22.5	16.0	3.0	1.60
Torque (ft-lb)	22.0	20.0	28.0	6.0	0.00

Information Block

HP	2.0
Sync. RPM	1800
Frame	145
Enclosure	TENV
Construction	TTN
Voltage	460 V
Frequency	60 HZ
Design	A
LR Code letter	N
Service Factor	1.15
Temp Rise @ FL	80 °C
Duty	CONT
Ambient	40 °C
Elevation	1,000 feet
Rotor/Shaft wkt	0.13 Lb-Fe
Rel Wdg	Z14166 NONE
Sound Pressure @ 1M	62 dBA
VFD Rating	CONSTANT 10:1
Outline Dwg	A-104326-625
Conn. Diag	EE7300
Additional Specifications:	
EQUIV CKT (OHMS/ PHASE)	
R1	R2
4.1750	3.3230
X1	X2
5.8790	6.1490
Xm	Xm
	166.1400



Speed - Torque Curve

