

PRODUCT INFORMATION PACKET

Model No: 145TTDR6002
Catalog No: U247
3,3600,DP,145T,3/60/50/230/460
Open Drip Proof (ODP)



Regal and Marathon are trademarks of Regal Beloit Corporation or one of its affiliated companies.

©2018 Regal Beloit Corporation, All Rights Reserved. MC017097E





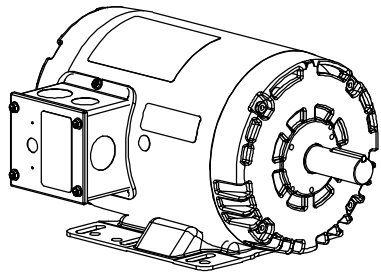
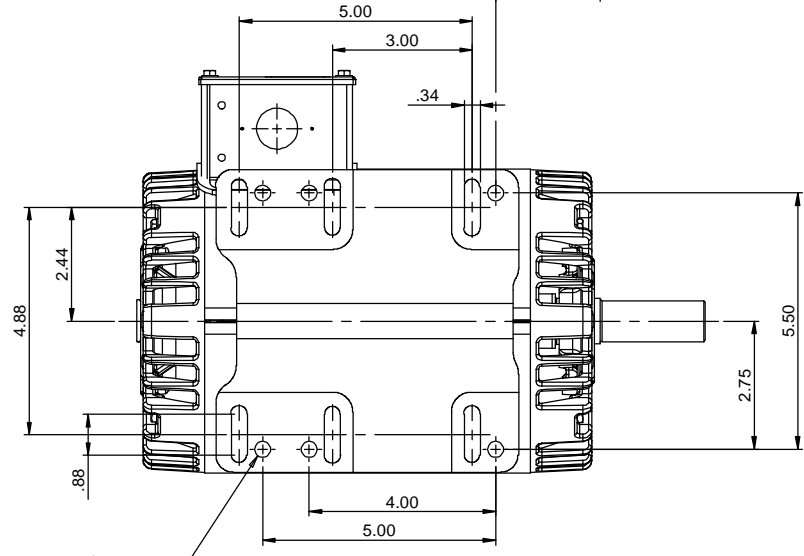
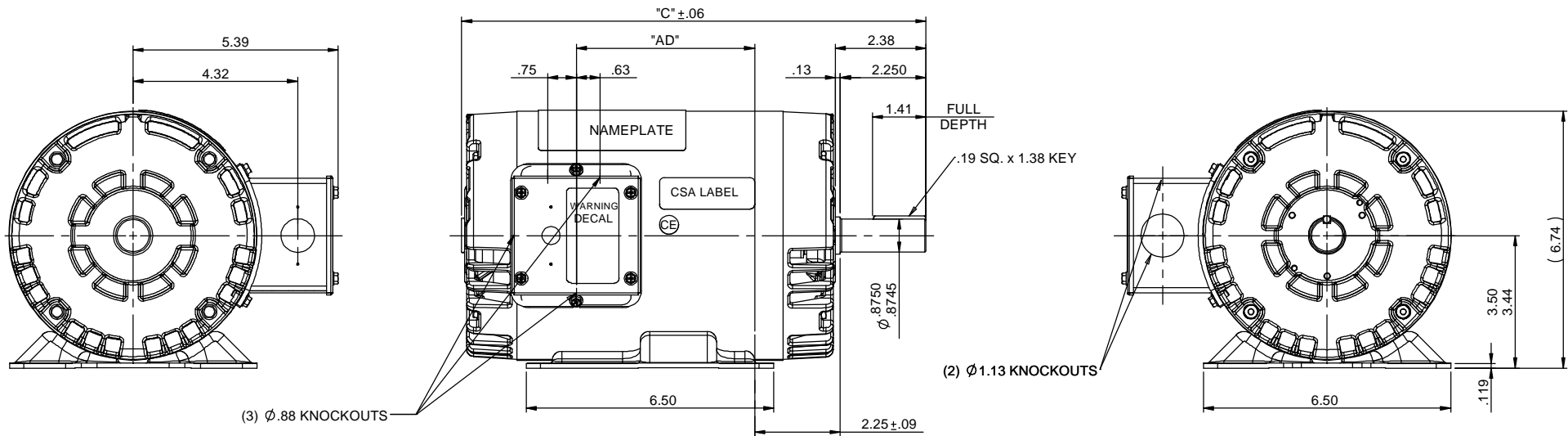
Nameplate Specifications

Output HP	3 Hp	Output KW	2.2 kW
Frequency	60 Hz	Voltage	230/460 V
Current	7.2/3.6 A	Speed	2550 rpm
Service Factor	1.15	Phase	3
Efficiency	86.5 %	Duty	Continuous
Insulation Class	F	Design Code	B
KVA Code	K	Frame	145T
Enclosure	Drip Proof	Overload Protector	No
Ambient Temperature	40 °C	Drive End Bearing Size	6205
Opp Drive End Bearing Size	6203	UL	Recognized
CSA	Y	CE	Y
IP Code	22		

Technical Specifications

Electrical Type	Squirrel Cage Inverter Rated	Starting Method	Line Or Inverter
Poles	2	Rotation	Reversible
Mounting	Rigid base	Motor Orientation	Horizontal
Drive End Bearing	Ball	Opp Drive End Bearing	Ball
Frame Material	Rolled Steel	Shaft Type	T
Overall Length	12.69 in	Frame Length	7.50 in
Shaft Diameter	0.875 in	Shaft Extension	2.38 in
Assembly/Box Mounting	F1 Only		
Outline Drawing	028859ME-775	Connection Diagram	005010.20ME

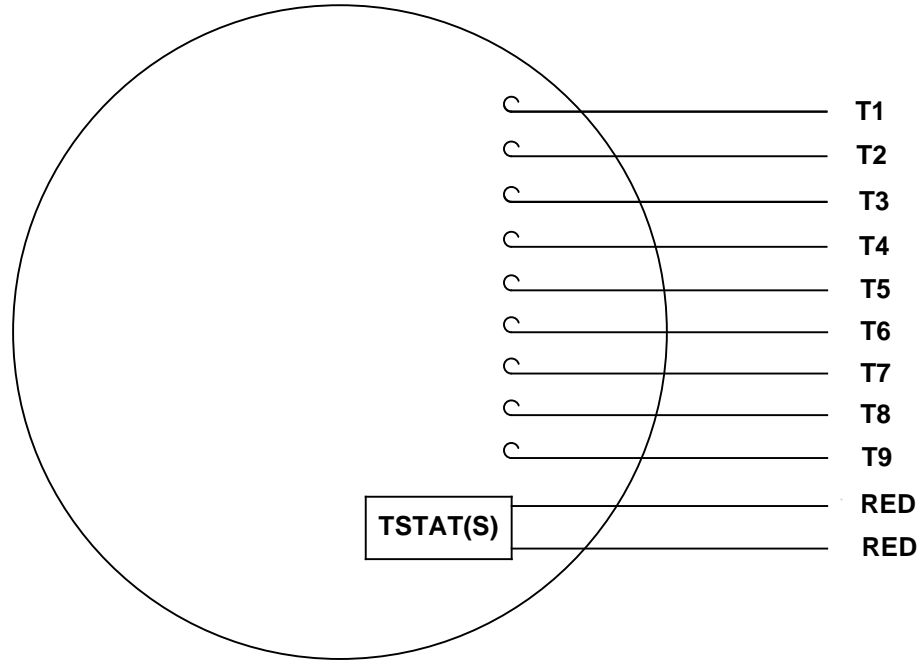
This is an uncontrolled document once printed or downloaded and is subject to change without notice. Date Created: 06/29/2018



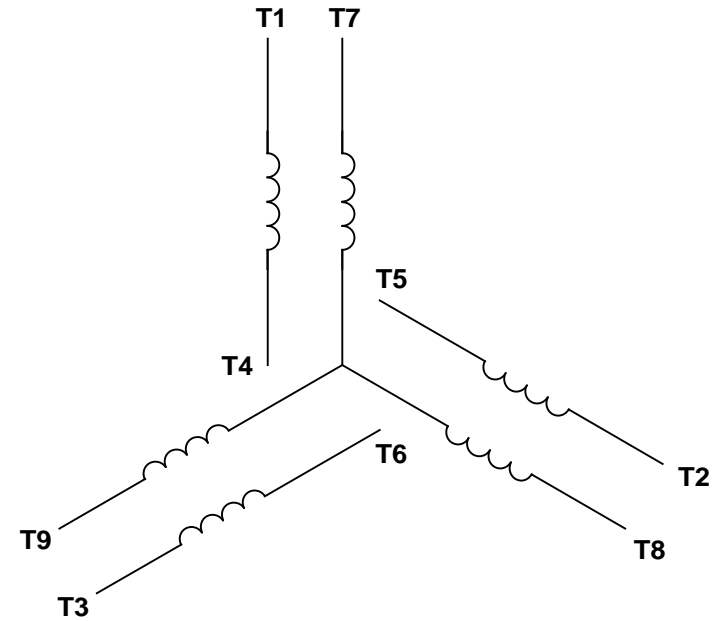
DASH NO.	"C"	"AD"
600	11.19	3.69
650	11.69	4.16
700	12.19	4.69
750	12.69	5.19
800	13.19	5.69
850	13.69	6.19
900	14.19	6.69

		TOLERANCES UNLESS SPECIFIED				DRAWN VS 7/21/2010	
		DEC	INCHES			CHK	
		X	±.1	TITLE OUTLINE - 140T/56HZ FRAME		APPR VS 7/21/2010	
		XX	±.03	OPEN DRIP PROOF - RIGID		SCALE 3:8	
		XXX	±.005	MATL		REF 028859	
01	REMOVED WATTS AVER DECAL	VS	11/10/2011	XXXX	±.0005	FMF	
NO	REVISION	BY & DATE	CHK	ANG	±1/2°	PAGE 1 OF 1	
		THIRD ANGLE PROJECTION		PREV		SIZE	DRAWING NO
				NETWORK FILE NAME 028859ME		B	028859ME
						REV	01

VIEW FROM OUTSIDE OF MOTOR AT SWITCH END.



LINE LEADS



VOLTAGE	L1	L2	L3	JOIN & INSULATE
HIGH	T1	T2	T3	(T4, T7) (T5, T8) (T6, T9)
LOW	T1, T7	T2, T8	T3, T9	T4, T5, T6

RBC PROPRIETARY AND CONFIDENTIAL INFORMATION
 This document is the property of REGAL BELOIT CORPORATION ("RBC") including its subsidiaries and divisions and contains proprietary information of RBC. This document is loaned on the express condition that neither it nor the information contained therein shall be disclosed to others without the express written consent of RBC, and that the information shall be used by the recipient only as approved expressly by RBC. This document shall be returned to RBC upon its request. This document may be subject to certain restrictions under U.S. export control laws and regulations.

				TOLERANCES UNLESS SPECIFIED				DRAWN RDW 04/13/04		
				DEC	INCHES			CHK		
				.X	±.1			APPR		
				.XX	±.01			SCALE 1:1		
				.XXX	±.005	TITLE EXTERNAL WIRING DIAGRAM 3 PHASE		REF		
--	REDRAWN IN SOLIDWORKS	VJB 02/08/11		.XXXX	±.0005	MAT'L DECAL - 004014 (TSTAT) - 080582		FMF 129027		
NO	REVISION	BY & DATE	CHK	ANG	±1/2°	FINISH		PAGE OF		
THIRD ANGLE PROJECTION			RFP		PREV		SIZE	DRAWING NO		REV
			NETWORK FILE NAME		00501020ME		A	005010-20ME		--

CERTIFICATION DATA SHEET

Model#: 145TTDR6002 AA WINDING#: T632175 NONE 3
 CONN. DIAGRAM: 005010.20ME ASSEMBLY: F1 ONLY
 OUTLINE: 028859ME-750

TYPICAL MOTOR PERFORMANCE DATA

HP	KW	SYNC. RPM	F.L. RPM	FRAME	ENCLOSURE	KVA CODE	DESIGN		
3&3	2.24&2.24	3600	3500&2890	145T	DP	K	B		
PH	Hz	VOLTS	FL AMPS	START TYPE	DUTY	INSL	S.F	AMB°C	ELEVATION
3	60/50	230/460#190/ 380	7.2/3.6&8.8/4. 4	LINE OR INVERTER	CONTINUOU S	F4	1.15/1.15	40	3300
FULL LOAD EFF: 86.5		3/4 LOAD EFF: 88.6		1/2 LOAD EFF: 87.4		GTD. EFF	ELEC. TYPE	NO LOAD AMPS	
FULL LOAD PF: 88		3/4 LOAD PF: 83		1/2 LOAD PF: 74.6		0	SQ CAGE INV RATED	2.7 / 1.4	
F.L. TORQUE		LOCKED ROTOR AMPS		L.R. TORQUE		B.D. TORQUE		F.L. RISE°C	
4.5 LB-FT		/		- LB-FT -		- LB-FT -		-	
SOUND PRESSURE @ 3 FT.	SOUND POWER	ROTOR WK^2	MAX. WK^2	SAFE STALL TIME	STARTS /HOUR	APPROX. MOTOR WGT			
0 dBA	10 dBA	0.084 LB-FT^2	0 LB-FT^2	0 SEC.	0	0 LBS.			

*** SUPPLEMENTAL INFORMATION ***

DE BRACKET TYPE	ODE BRACKET TYPE	MOUNT TYPE	ORIENTATION	SEVERE DUTY	HAZARDOUS LOCATION	DRIP COVER	SCREENS	PAINT
STANDARD	STANDARD	RIGID	HORIZONTAL	FALSE	NONE	FALSE	NONE	BLUE (ENAMEL)

BEARINGS		GREASE	SHAFT TYPE	SPECIAL DE	SPECIAL ODE	SHAFT MATERIAL	FRAME MATERIAL
DE	OPE						
BALL	BALL	POLYREX EM	T	NONE	NONE	1144 STRESSPROOF (C-223)	ROLLED STEEL
6205	6203						

THERMO-PROTECTORS				THERMISTORS	CONTROL	SPACE /n HEATERS
THERMOSTATS	PROTECTORS	WDG RTDs	BRG RTDs			
TSTATS (N/C)	NOT	NONE	NONE	NONE	FALSE	NONE VOLTS

If Inverter equals NONE, contact factory for further information

*
N
O
T
E
S
*

INVERTER TORQUE: CONSTANT 10:1
INV. HP SPEED RANGE: NONE
ENCODER: NONE
NONE NONE
NONE NONE PPR
BRAKE: NONE NONE
NONE P/N NONE
NONE NONE
NONE FT-LB NONE V NONE Hz

DATE: 06/23/2017 06:45:20 AM
 FORM 3531 REV.3 02/07/99
 ** Subject to change without notice.