

PRODUCT INFORMATION PACKET

Model No: 145TTFR6040
Catalog No: GT1207
2,1800,TEFC,145TC,3/60/208-230/460
Totally Enclosed Fan Cooled (TEFC)



Regal and Marathon are trademarks of Regal Beloit Corporation or one of its affiliated companies.
©2018 Regal Beloit Corporation, All Rights Reserved. MC017097E





Nameplate Specifications

Output HP	2 Hp	Output KW	1.5 kW
Frequency	60 Hz	Voltage	230/460 V
Current	6.0/3.0 A	Speed	1760 rpm
Service Factor	1.15	Phase	3
Efficiency	86.5 %	Duty	Continuous
Insulation Class	F	Design Code	A
KVA Code	N	Frame	145TC
Enclosure	Totally Enclosed Fan Cooled	Overload Protector	No
Ambient Temperature	40 °C	Drive End Bearing Size	6205
Opp Drive End Bearing Size	6203	UL	Recognized
CSA	Y	CE	Y
IP Code	43		

Technical Specifications

Electrical Type	Squirrel Cage Induction Run	Starting Method	Across The Line
Poles	4	Rotation	Reversible
Mounting	Rigid base	Motor Orientation	Horizontal
Drive End Bearing	Ball	Opp Drive End Bearing	Ball
Frame Material	Rolled Steel	Shaft Type	T
Overall Length	14.87 in	Frame Length	9.56 in
Shaft Diameter	0.875 in	Shaft Extension	2.12 in
Assembly/Box Mounting	F1 Only		
Outline Drawing	A-100106-956	Connection Diagram	A-EE7308

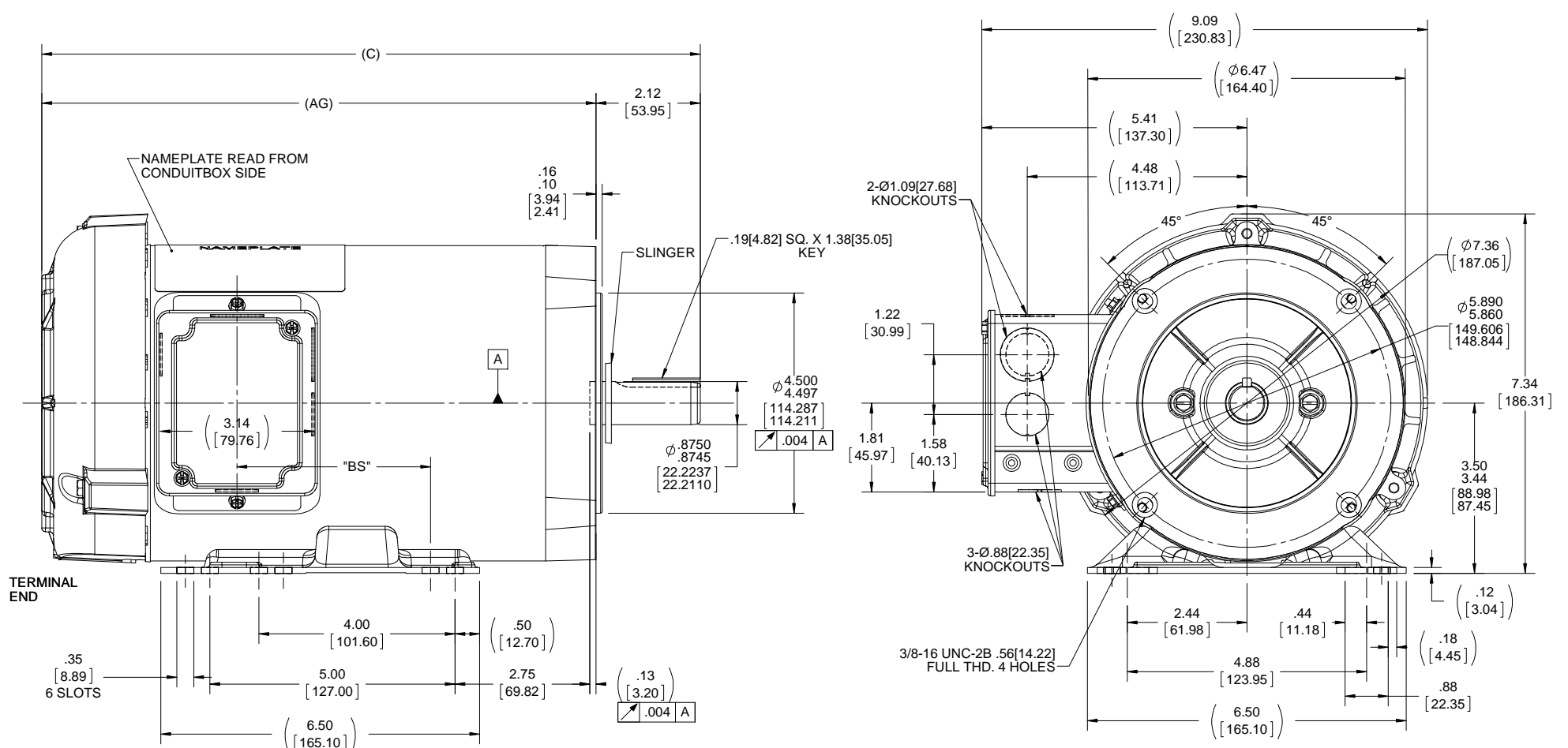
This is an uncontrolled document once printed or downloaded and is subject to change without notice. Date Created: 06/29/2018

B

B

A

A

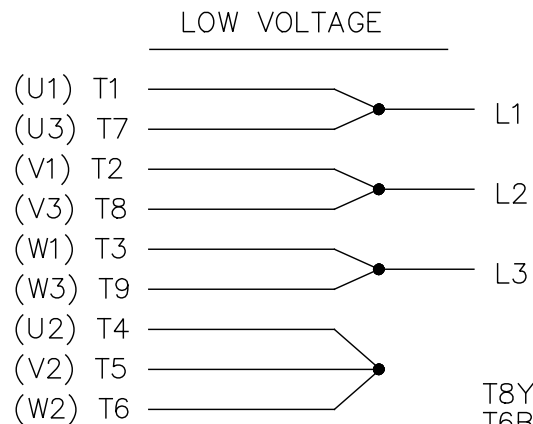
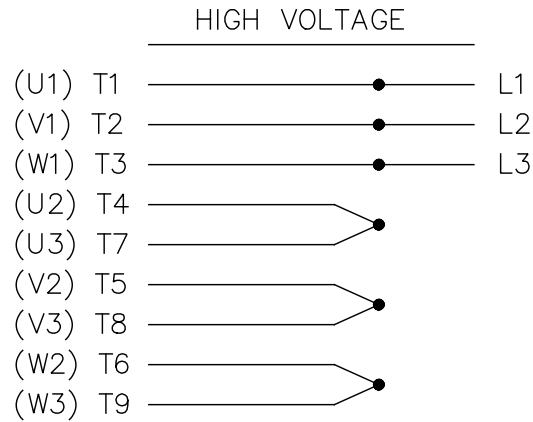


NOTE:
CONDUIT BOX CAN BE ROTATED IN 180° STEPS.

DASH NO.	"C"	"AG"	"BS"	DRAWING REVISION	REVISION BY	DATE	TOLERANCES UNLESS OTHERWISE SPECIFIED:	DRAWN BY	Regal Beloit America, Inc.
706	12.42[315.46]	10.30[261.62]	2.95[74.93]	M	A. KEETHA	01/19/2018	DEC. INCH mm ANGLE .X ±0.1 [±2.5] ±7-30° .XX ±0.03 [±0.76] .XXX ±0.005 [±0.127] .XXXX ±0.0005 [±0.0127]	SMC	
756	12.92[328.16]	10.80[274.32]	3.45[87.63]	ECO-0143026	PST	04/11/2018	REMOVE BURRS & BREAK SHARP EDGES: .003/.015 [0.076/.381] X 45° CORNER FILLETS: R.02 [51] MACHINED SURFACES: 200 INCH mm 5.1 mm SHOWN IN [BRACKETS]	DATE 09/22/1992	
806	13.42[340.86]	11.30[287.02]	3.95[100.33]	ECO DESCRIPTION OUTLINE CONVERSION PROJECT <small>COPYRIGHT REGAL BELOIT AMERICA, INC. ALL RIGHTS RESERVED. PROPRIETARY AND CONFIDENTIAL INFORMATION - THIS DOCUMENT IS THE PROPERTY OF REGAL BELOIT AMERICA, INC. ("OWNER") AND CONTAINS OWNER'S PROPRIETARY INFORMATION. ANY PERSON, CORPORATION OR OTHER FIRM RECEIVING IT IS DEEMED, BY RECEIVING IT, TO AGREE THAT IT, AND/OR ANY PART OF IT, SHALL NOT BE DISCLOSED TO ANY PERSON, CORPORATION OR OTHER ENTITY, DUPLICATED, AND/OR USED, EXCEPT AS EXPRESSLY APPROVED IN WRITING IN ADVANCE BY OWNER. THIS DOCUMENT SHALL BE RETURNED TO OWNER UPON REQUEST. IT MAY BE SUBJECT TO CERTAIN RESTRICTIONS UNDER APPLICABLE EXPORT CONTROL LAWS AND REGULATIONS.</small>			APPROVED BY GEK	DESCRIPTION	
856	13.92[353.56]	11.80[299.72]	4.45[113.03]					DATE 09/24/1992	140T FRAME-TEFC-C'FACE
906	14.42[366.26]	12.30[312.42]	4.95[125.73]					REFERENCE 100106	MATERIAL
								THIRD ANGLE PROJECTION	PROCESS/FINISH
								SIZE B	DRAWING NUMBER
									100106
									SHEET 1 OF 1

EE7308

THREE PHASE
DUAL VOLTAGE MOTOR



VIEW OF TERMINAL END

REF.
WINDING DIAGRAM

T8Y, T2Y, T2BL, T4BX, T2EC, T2G
T6BZ, T2B, T6BL, T4AV, T6B, T4B

OPTIONAL CORD
CONNECTION

L1 — WHITE
L2 — RED
L3 — BLACK

NO.	REVISION	BY & DATE	CHK	ANG	TOLERANCES UNLESS SPECIFIED		FINISH	DRAWN RM 11/20/1990				
					DEC.	INCHES						
5	CHG TO REGAL LOGO	SL 09/10/2015	AB					CHK ML 11/21/1990				
4	REVISED IEC NOTATIONS	MSG 11/15/2011	CMN	.X	±.1			APPD SAS 04/24/2003				
3	ADDED IEC NOTATIONS... (U1), (V1) ETC. MU95194	MSG 5/10/2010	MJS	.XX	±.02		TITLE CONNECTION DIAGRAM	SCALE 1=1				
2	ADDED THE OPTIONAL CORD CONNECTION MU46318	RDH 04/24/2003	DRS	.XXX	±.005		3Ø - DUAL VOLTAGE MOTOR	REF				
1	REDRAWN	RM 11/20/1990		.XXXX	±.0005		MAT'L.	FMF				
					±7'30"			PREV				
THIS DRAWING IN DESIGN AND DETAIL IS OUR PROPERTY AND MUST NOT BE USED EXCEPT IN CONNECTION WITH OUR WORK ALL RIGHTS OF DESIGN AND INVENTION ARE RESERVED THIS IS AN ELECTRONICALLY GENERATED DOCUMENT - DO NOT SCALE THIS PRINT							RFP	CAD FILE ee7308	SIZE A	DRAWING NO. EE7308	PAGE OF 5	REV. 5
							DIST WP					



Regal Beloit America, Inc.

3Ø - DUAL VOLTAGE MOTOR

MAT'L.

RFP

DIST WP

SIZE A

DRAWING NO. EE7308

PAGE OF 5

REV. 5

CERTIFICATION DATA SHEET

Model#: 145TTFR6040 AA **WINDING#:** ZT4255 FR 3
CONN. DIAGRAM: A-EE7308 **ASSEMBLY:** F1 ONLY
OUTLINE: A-100106-956

TYPICAL MOTOR PERFORMANCE DATA

HP	KW	SYNC. RPM	F.L. RPM	FRAME	ENCLOSURE	KVA CODE	DESIGN
2&1 1/2	1.49&1.12	1800	1760&1460	145TC	TEFC	N	A

PH	Hz	VOLTS	FL AMPS	START TYPE	DUTY	INSL	S.F	AMB°C	ELEVATION
3	60/50	230/460#190/ 380	6/3&5.8/2.9	ACROSS THE LINE	CONTINUOU S	F3	1.15/1.15	40	3300

FULL LOAD EFF: 86.5&85.5	3/4 LOAD EFF: 86.5	1/2 LOAD EFF: 85.5	GTD. EFF	ELEC. TYPE	NO LOAD AMPS
FULL LOAD PF: 71&70	3/4 LOAD PF: 62	1/2 LOAD PF: 49	84	SQ CAGE IND RUN	3.8 / 1.9

F.L. TORQUE	LOCKED ROTOR AMPS	L.R. TORQUE	B.D. TORQUE	F.L. RISE°C
6 LB-FT	61 / 30.5	24.5 LB-FT 408	33.2 LB-FT 553	45

SOUND PRESSURE @ 3 FT.	SOUND POWER	ROTOR WK^2	MAX. WK^2	SAFE STALL TIME	STARTS /HOUR	APPROX. MOTOR WGT
62 dBA	72 dBA	0.14 LB-FT^2	12 LB-FT^2	15 SEC.	2	65 LBS.

***** SUPPLEMENTAL INFORMATION *****

DE BRACKET TYPE	ODE BRACKET TYPE	MOUNT TYPE	ORIENTATION	SEVERE DUTY	HAZARDOUS LOCATION	DRIP COVER	SCREENS	PAINT
C-FACE	BRAKE	RIGID	HORIZONTAL	FALSE	NONE	FALSE	NONE	BLACK (POWDER)

BEARINGS		GREASE	SHAFT TYPE	SPECIAL DE	SPECIAL ODE	SHAFT MATERIAL	FRAME MATERIAL
DE	OPE	POLYREX EM	T	NONE	NONE	1144 STRESSPROOF (C-223)	ROLLED STEEL
BALL	BALL						
6205	6203						

THERMO-PROTECTORS				THERMISTORS	CONTROL	SPACE /n HEATERS
THERMOSTATS	PROTECTORS	WDG RTDs	BRG RTDs	NONE	FALSE	NONE VOLTS
NONE	NOT	NONE	NONE			

If Inverter equals NONE, contact factory for further information

INVERTER TORQUE: NONE
INV. HP SPEED RANGE: NONE
ENCODER: NONE
NONE NONE
NONE NONE PPR
BRAKE: PROVISIONS FOR KIT NONE
STEARNS P/N NONE
56,000 NONE
10 FT-LB NONE V NONE Hz

*
N
O
T
E
S
*

DATE: 06/23/2017 07:49:50 AM
 FORM 3531 REV.3 02/07/99
 ** Subject to change without notice.

Data Sheet

Date: 20-06-2017
 Customer: _____
 Attention: _____
 Submitted by: FAREEDA DUDEKULA



145TTFR6040

Submittal

Data @ 460 V

Motor Load Data

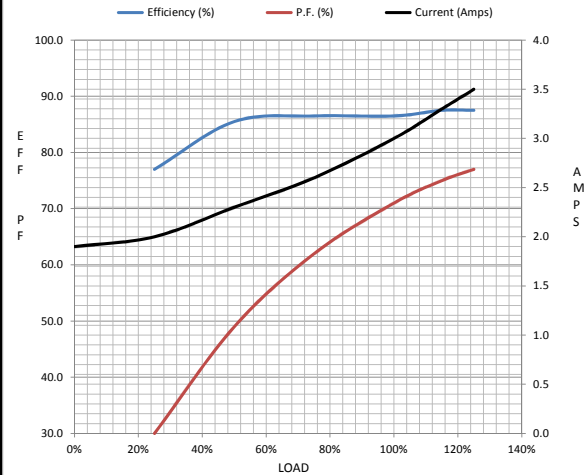
Load	0%	25%	50%	75%	100%	115%	125%	LR
Current (Amps)	1.90	2.00	2.30	2.60	3.0	3.3	3.5	30.5
Torque (ft-lb)	0.00	1.50	3.0	4.5	6.0	6.9	7.5	24.5
RPM	1800	1790	1780	1770	1760	1,755	1750	0
Efficiency (%)		77.0	85.5	86.5	86.5	87.5	87.5	
P.F. (%)	7.0	30.0	49.0	62.0	71.0	75.0	77.0	71.0

Motor Speed Data

	LR	Pull-Up	BD	Rated	Idle
Speed (RPM)	0	115	1200	1760	1800
Current (Amps)	30.5	29.5	19.5	3.0	1.90
Torque (ft-lb)	24.5	23.7	33.2	6.0	0.00

Information Block

HP	2.0			
Sync. RPM	1800			
Frame	145			
Enclosure	TEFC			
Construction	TFR			
Voltage	30/460#190/38V			
Frequency	60 Hz			
Design	A			
LR Code letter	N			
Service Factor	1.15			
Temp Rise @ FL	45 ° C			
Duty	CONT			
Ambient	40 ° C			
Elevation	1,000 feet			
Rotor/Shaft wk ²	0.14 Lb-Ft ²			
Ref Wdg	ZT4255 FR			
Sound Pressure @ 1M	62 dBA			
VFD Rating	NONE			
Outline Dwg	A-100106-956			
Conn. Diag	A-EE7308			
Additional Specifications:				
0				
365THFS8036				
EQUIV CKT (OHMS / PHASE)				
R1	R2	X1	X2	Xm
3.9620	3.0100	5.7510	5.9360	160.3460



Speed -Torque Curve

