

PRODUCT INFORMATION PACKET

Model No: 145TTGN6527
Catalog No: U003A
2,1800,EPFC,145T,3/60/230/460
Explosion Proof



Regal and Marathon are trademarks of Regal Beloit Corporation or one of its affiliated companies.
©2018 Regal Beloit Corporation, All Rights Reserved. MC017097E



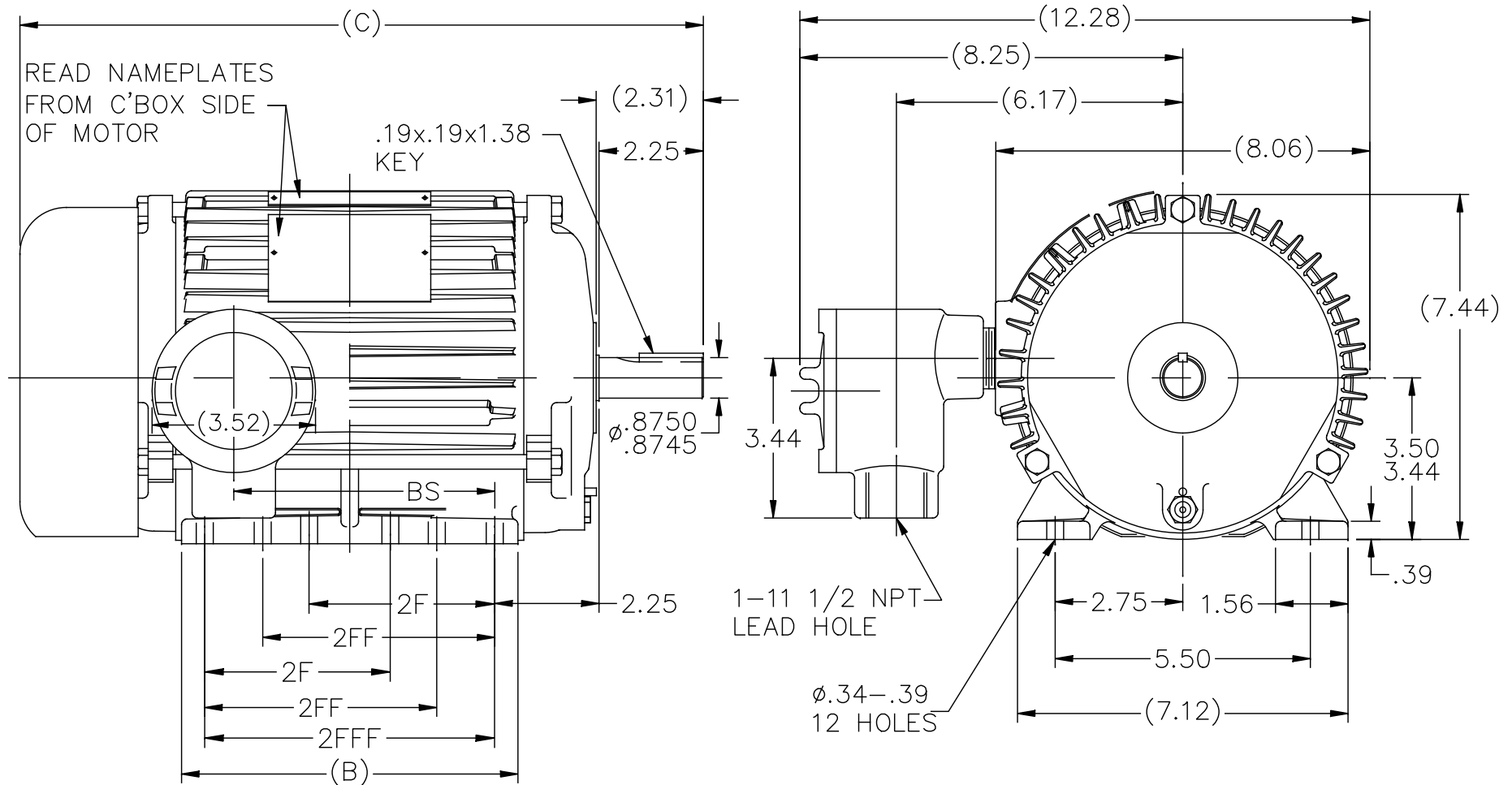
Nameplate Specifications

Output HP	2 Hp	Output KW	1.5 kW
Frequency	60 Hz	Voltage	230/460 V
Current	6.0/3.0 A	Speed	1755 rpm
Service Factor	1.15	Phase	3
Efficiency	86.5 %	Duty	Continuous
Insulation Class	F	Design Code	A
KVA Code	N	Frame	145T
Enclosure	Explosion Proof Fan cooled	Overload Protector	No
Ambient Temperature	40 °C	Drive End Bearing Size	6205
Opp Drive End Bearing Size	6203	UL	No
CSA	N	CE	N
IP Code	54		

Technical Specifications

Electrical Type	Squirrel Cage Inverter Rated	Starting Method	Line Or Inverter
Poles	4	Rotation	Reversible
Mounting	Rigid base	Motor Orientation	Horizontal
Drive End Bearing	Ball	Opp Drive End Bearing	Ball
Frame Material	Cast Iron	Shaft Type	T
Overall Length	14.73 in	Frame Length	7.50 in
Shaft Diameter	0.875 in	Shaft Extension	2.31 in
Assembly/Box Mounting	F1 Only		
Outline Drawing	A-104607-750	Connection Diagram	A-EE7308T

104607

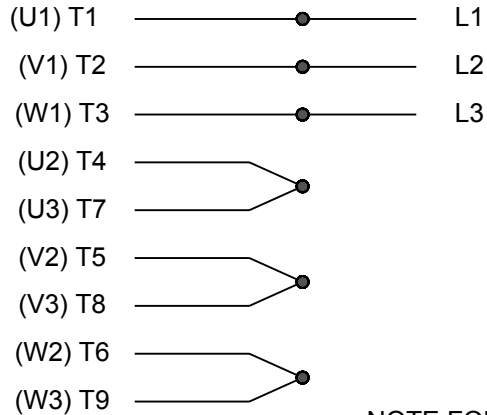


DASH	FR.	C	B	BS	2F	2FF	2FFF
750	143/5	14.73	7.25	5.62	4.00	5.00	6.25

NOTE:
1. BOX CAN ONLY BE ROTATED CLOCKWISE UP TO 270° FROM ITS ORIGINAL POSITION.

NO.	REVISION	BY & DATE	CHK	ANG	TOLERANCES UNLESS SPECIFIED		REGAL™ Regal Beloit America, Inc.	DRAWN CAV 07-14-1999			
					DEC.	INCHES		CHK	ML	APPD	
4	UPDATED PER. ISAAC 11-4672	RFH 12/27/2011	EH	.X	±.1		TITLE OUTLINE 140 FR. - EXP.PR. - (629 NEW DESIGN) MAT'L. FINISH	CHK	ML	APPD	
3	REDRAWN IN AUTOCAD	TAT 06-29-2004	ML	.XX	±.03			SCALE	5=16		
2	REMOVED -625, 750 FR. WAS 143/5 CN 24300-319	TJB 02-07-2000		.XXX	±.005			REF			
1	NEW DRAWING	CAV 07-14-1999		.XXXX	±.0005			FMF			
					±7'30"			PREV			
THIS DRAWING IN DESIGN AND DETAIL IS OUR PROPERTY AND MUST NOT BE USED EXCEPT IN CONNECTION WITH OUR WORK ALL RIGHTS OF DESIGN AND INVENTION ARE RESERVED THIS IS AN ELECTRONICALLY GENERATED DOCUMENT - DO NOT SCALE THIS PRINT					RFP	CAD FILE	104607	SIZE	DRAWING NO.	PAGE OF	REV.
					DIST	WP		A	104607		4

HIGH VOLTAGE



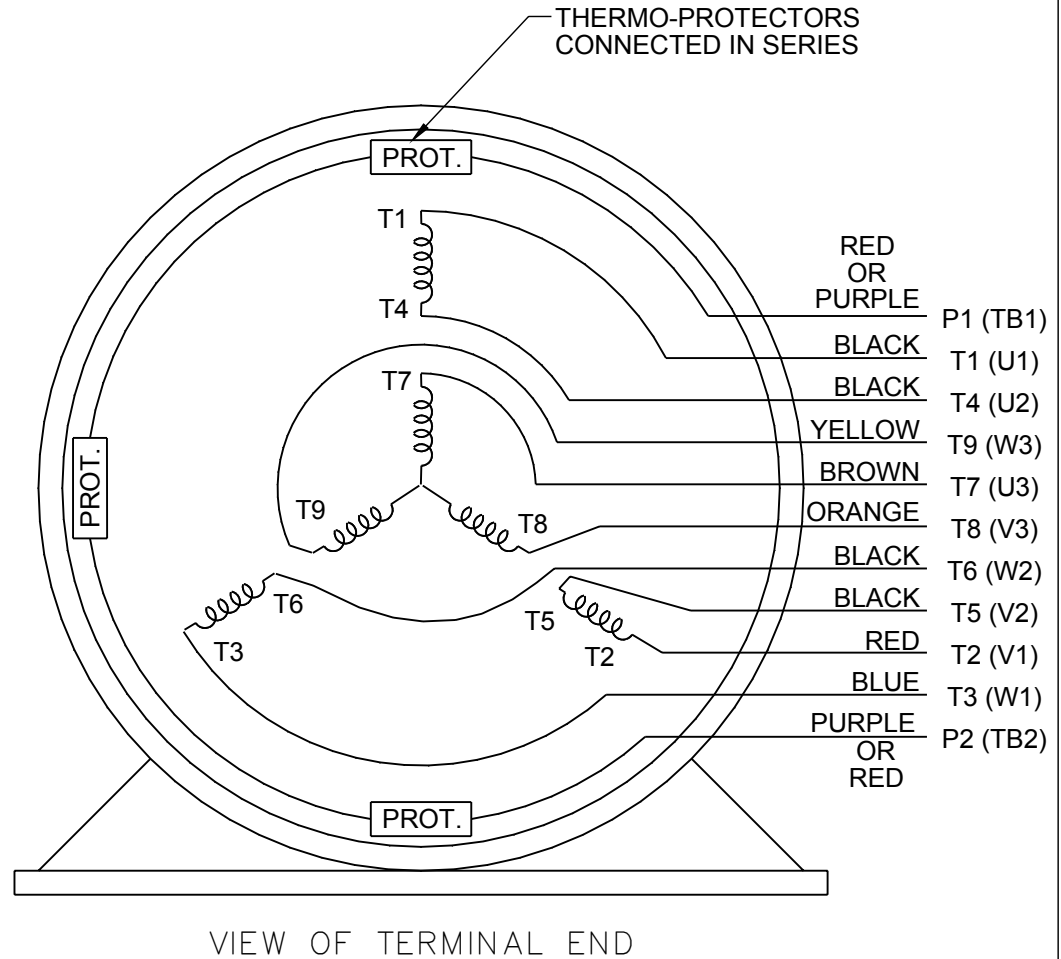
**NOTE FOR FACTORY USE ONLY:
TO SURGE TEST FOR COMMON CONNECT:
HIGH VOLT: CONNECT P1 TO T1
THEN P2 TO L1
LOW VOLT: CONNECT P1 TO T1 & T7,
THEN P2 TO L1**

LOW VOLTAGE



NOTE: LEAD'S COLOR CAN BE YELLOW OR WHITE FOR MT2 PLANT

THREE PHASE DUAL VOLTAGE MOTOR



DRAWING REVISION R	REVISION BY AJW	DATE 07-17-2015		DRAWN BY SMC	Regal Beloit America, Inc.	
ECO ECO-0081632	APPROVED BY T. VUE	DATE 07-17-2015		DATE 05-13-1992		
ECO DESCRIPTION REV'D IEC NOTATIONS PER IEC 60034-8				APPROVED BY TB	DESCRIPTION CONN DIAGRAM-INTERNAL 3 PHASE - DUAL VOLTAGE MOTOR	
COPYRIGHT REGAL BELOIT AMERICA, INC. ALL RIGHTS RESERVED. PROPRIETARY AND CONFIDENTIAL INFORMATION - THIS DOCUMENT IS THE PROPERTY OF REGAL BELOIT AMERICA, INC. ("OWNER") AND CONTAINS OWNER'S PROPRIETARY INFORMATION. ANY PERSON, CORPORATION OR OTHER FIRM RECEIVING IT IS DEEMED, BY RECEIVING IT, TO AGREE THAT IT, AND/OR ANY PART OF IT, SHALL NOT BE DISCLOSED TO ANY PERSON, CORPORATION OR OTHER ENTITY, DUPLICATED, AND/OR USED, EXCEPT AS EXPRESSLY APPROVED IN WRITING IN ADVANCE BY OWNER. THIS DOCUMENT SHALL BE RETURNED TO OWNER UPON REQUEST. IT MAY BE SUBJECT TO CERTAIN RESTRICTIONS UNDER APPLICABLE EXPORT CONTROL LAWS AND REGULATIONS.				DATE 05-13-1992	MATERIAL	PROCESS/FINISH
			REFERENCE EE7308/EE7300	SIZE A	DRAWING NUMBER EE7308T	SHEET 1 OF 1
			THIRD ANGLE PROJECTION 			

CERTIFICATION DATA SHEET

Model#: 145TTGN6527 AA **WINDING#:** ZT4166 R1 3
CONN. DIAGRAM: A-EE7308T **ASSEMBLY:** F1 ONLY
OUTLINE: A-104607-750

TYPICAL MOTOR PERFORMANCE DATA

HP	KW	SYNC. RPM	F.L. RPM	FRAME	ENCLOSURE	KVA CODE	DESIGN
2&1 1/2	1.49&1.12	1800	1755&1465	145T	EPFC	N	A

PH	Hz	VOLTS	FL AMPS	START TYPE	DUTY	INSL	S.F	AMB°C	ELEVATION
3	60/50	230/460#190/ 380	6/3&5.6/2.8	LINE OR INVERTER	CONTINUOU S	F3	1.15/1.15	40	3300

FULL LOAD EFF: 86.5&85.5	3/4 LOAD EFF: 85.5	1/2 LOAD EFF: 82.5	GTD. EFF	ELEC. TYPE	NO LOAD AMPS
FULL LOAD PF: 72&70	3/4 LOAD PF: 63	1/2 LOAD PF: 50	84	SQ CAGE INV RATED	3.8 / 1.9

F.L. TORQUE	LOCKED ROTOR AMPS	L.R. TORQUE	B.D. TORQUE	F.L. RISE°C
6 LB-FT	60 / 30	24.5 LB-FT 408	32.5 LB-FT 542	35

SOUND PRESSURE @ 3 FT.	SOUND POWER	ROTOR WK^2	MAX. WK^2	SAFE STALL TIME	STARTS /HOUR	APPROX. MOTOR WGT
62 dBA	72 dBA	0.13 LB-FT^2	0 LB-FT^2	20 SEC.	2	69 LBS.

***** SUPPLEMENTAL INFORMATION *****

DE BRACKET TYPE	ODE BRACKET TYPE	MOUNT TYPE	ORIENTATION	SEVERE DUTY	HAZARDOUS LOCATION	DRIP COVER	SCREENS	PAINT
STANDARD	STANDARD	RIGID	HORIZONTAL	TRUE	EXP PROOF CL I GR D CL II GR F&G T3B	FALSE	NONE	BLUE (POWDER)

BEARINGS		GREASE	SHAFT TYPE	SPECIAL DE	SPECIAL ODE	SHAFT MATERIAL	FRAME MATERIAL
DE	OPE						
BALL 6205	BALL 6203	POLYREX EM	T	NONE	NONE	1144 STRESSPROOF (C-223)	CAST IRON

THERMO-PROTECTORS				THERMISTORS	CONTROL	SPACE /n HEATERS
THERMOSTATS	PROTECTORS	WDG RTDs	BRG RTDs			
TSTATS (N/C)	NOT	NONE	NONE	NONE	FALSE	NONE VOLTS

If Inverter equals NONE, contact factory for further information

INVERTER TORQUE: CONSTANT 10:1 INV. HP SPEED RANGE: NONE
ENCODER: NONE NONE NONE NONE NONE PPR
BRAKE: NONE NONE NONE P/N NONE NONE NONE NONE FT-LB NONE V NONE Hz

*
N
O
T
E
S
*

DATE: 06/27/2017 12:09:39 AM
 FORM 3531 REV.3 02/07/99
 ** Subject to change without notice.

Data Sheet

145TTGN6527

Date: 6/20/2017

Customer:
Attention:
Submitted by:

FAREEDA DUDEKULA



Submittal
Data @ 460 V

Motor Load Data

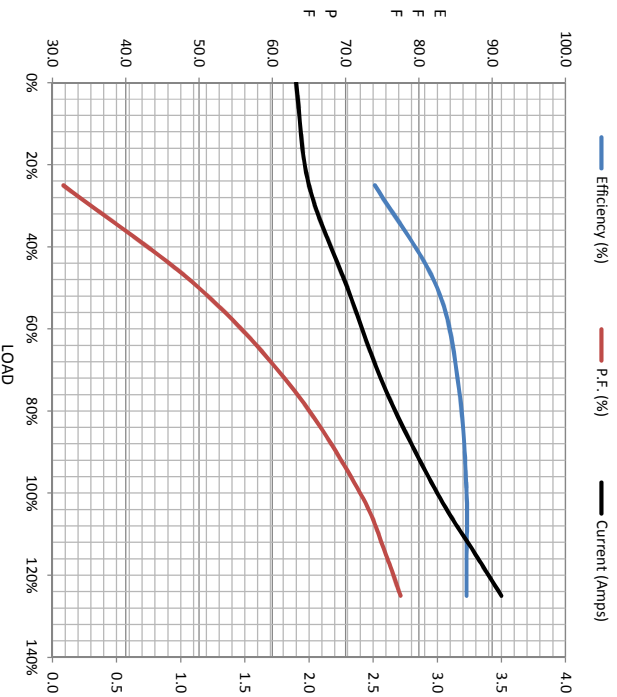
Load	0%	25%	50%	75%	100%	115%	125%	LR
Current (Amps)	1.90	2.00	2.30	2.60	3.0	3.3	3.5	30.0
Torque (ft-lb)	0.00	1.50	2.95	4.5	6.0	6.9	7.5	24.5
RPM	1800	1790	1780	1770	1755	1750	1745	0
Efficiency (%)		74.0	82.5	85.5	86.5	86.5	86.5	
P.F. (%)	8.0	31.5	50.0	63.0	72.0	75.5	77.5	69.0

Motor Speed Data

	LR	Pull-Up	BD	Rated	Idle
Speed (rpm)	0	900	1245	1755	1800
Current (Amps)	30.0	25.0	18.7	3.0	1.90
Torque (ft-lb)	24.5	22.1	32.5	6.0	0.00

Information Block

HP	2.0
Sync. RPM	1800
Frame	145
Enclosure	TEFC
Construction	TFFN
Voltage	30/460#190/38 V
Frequency	60 HZ
Design	A
LR Code letter	N
Service Factor	1.15
Temp Rise @ FL	35 °C
Duty	CONT
Ambient	40 °C
Elevation	1,000 feet
Rotor/Shaft wkt	0.13 Lb-Fe
Ret Wdg	Z14166 R1
Sound Pressure @ 1M	62 dbA
VFD Rating	CONSTANT 10:1
Outline Dwg	A-104607-750
Conn. Diag	A-EE7308T
Additional Specifications:	
EQUIV CKT (OHMS/ PHASE)	
R1	R2
3.8060	3.0530
X1	X2
5.9070	6.1490
Xm	Xm
	165.4160



Speed -Torque Curve

